



X200 SERIES (CMOS)

STANDARD SPECIFICATIONS

(Similar to M55310/18)

FREQUENCY RANGE 1.5 Hz to 12 MHz
 FREQUENCY ACCURACY @ + 25 °C ± 0.0015% (± 15 PPM)
 FREQUENCY STABILITY Vs. TEMPERATURE See Options Below
 OPERATING TEMPERATURE RANGE See Options Below

INPUT VOLTAGE (See note below) + 5 VDC to + 15 VDC ± 10%

INPUT CURRENT 5 mA Max. @ + 5 VDC
25 mA Max. @ + 15 VDC

OUTPUT CMOS
LOAD 200 KΩ in parallel with 50 pf
SYMMETRY 60/40% @ 50% Output Level

RISE & FALL TIMES 150 nS Max. @ + 5 VDC
(10% to 90% Output Level) 50 nS Max. @ + 15 VDC

START-UP TIME
< 10 MHz 20 mS Max.
≥ 10 MHz 15 mS Max.

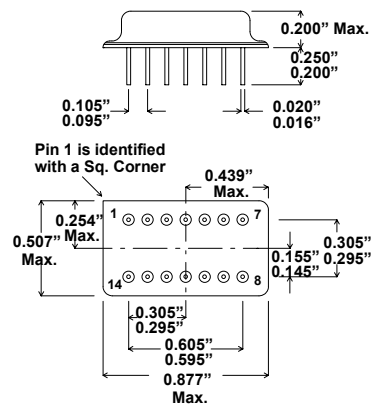
FREQUENCY STABILITY Vs. VOLTAGE ± 0.0005% (± 5 PPM) Max.
(for 10% change in Voltage)

AGING @ +25 °C ± 0.0005% (± 5 PPM) / year Max.

PACKAGE, SEAL & LEAD FINISH Conforms with the Requirements of MIL-PRF-55310

Note: Input Voltage must be specified for 200 Series CMOS parts, minimum input voltage required depends upon output frequency and operating temperature range. Consult factory for your specific application.

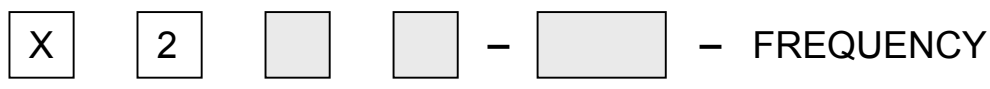
Contact Xsis Engineering for special requirements such as, **Output Symmetry, Start-up Time, Frequency Accuracy, Complementary Outputs, Multiple Outputs, etc.**



Pin Connections

14	B+
7	GND
8	OUTPUT
All Others	N/C

ORDERING INFORMATION (Select from options below) :



- Frequency Stability ● Add Suffix "883B" for Mil-Screened Option
- 1 = ± 0.1%
 - 2 = ± 0.05%
 - 3 = ± 0.01%
 - 4 = ± 0.005%
 - 5 = ± 0.002% *
- * Option 5 not available for - 55 °C to +125 °C
- Operating Temperature Range ●
- 1 = 0 °C to + 70 °C
 - 2 = - 30 °C to + 85 °C
 - 3 = - 55 °C to +125 °C

EXAMPLE: X243 - 883B - 4.000 MHz = 14 Pin Package with "X" Pinout, CMOS, ± 0.005% over -55 °C to +125 °C, Mil-Screened, and 20.000 MHz