

**8X009 Series General Purpose**

(-40°C to +85°C) -10% to +50% Capacitance Tolerance

A-0511-01

Aluminum electrolytic capacitor with etched electrodes encapsulated in aluminum case with external insulation. Axial leaded with negative pole connected to the case.

**Ordering Code** SIEMENS AKTIENGESELLSCHAFT 47E D

Example: 2200 / 6.3 8X009

Capacitance ( $\mu\text{F}$ )

Rated Voltage (V)

Order Number

End sealed

Order Number

8X006

**General Specification**

IEC 384-4 Type GP and DIN 41332, Sheet 1

**Climatic Category DIN**

GPF (-40 to +85°C/Humidity Category F)  
According to DIN 40040.

**Climatic Category IEC**

40/085/56

**Life Test**

Conditions 1000h/ +85°C/VR

Evaluation:

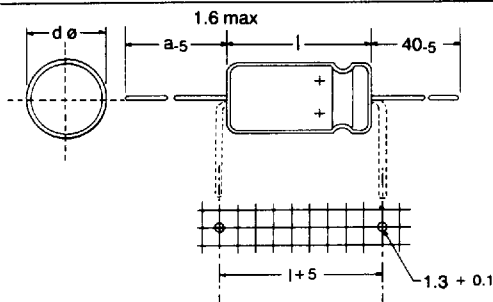
- $\Delta C/C$ : +25% of initially measured value.
- $+g\delta < 200\%$  of initially specified value.
- $I_R <$  than initially specified value.

**Storage Test**

Conditions 1000h/ +85°C/OV

Evaluation:

- $\Delta C/C$ : +25% of initially measured value.
- $+g\delta < 200\%$  of initially specified value.
- $I_R <$  than initially specified value.



## 8X009 Series General Purpose

(-40°C to +85°C) - 10% to +50% Capacitance Tolerance

A-05-11-01

SIEMENS AKTIENGESELLSCHAFT 47E D

Size Code	Standard Sizes D x L inches (mm)	Maximum Sizes $D_{max} \times L_{max}$ (with insulation) inches (mm)	Lead Diameter inches (mm)	Cathode Lead Length (a) inches (mm)
A	0.177 x 0.433 (4.5 x 11)	0.193 x 0.492 (4.9 x 12.5)	0.024 (0.6)	1.575 (40)
B	0.228 x 0.433 (5.8 x 11)	0.244 x 0.492 (6.2 x 12.5)	0.024 (0.6)	1.575 (40)
C	0.256 x 0.689 (6.5 x 17.5)	0.276 x 0.709 (7.0 x 18.0)	0.024 (0.6)	1.575 (40)
D	0.335 x 0.689 (8.5 x 17.5)	0.354 x 0.709 (9.0 x 18.0)	0.024 (0.6)	1.575 (40)
E	0.394 x 0.984 (10 x 25)	0.413 x 1.00 (10.5 x 25.4)	0.024 (0.6)	1.969 (50)
F	0.472 x 1.181 (12 x 30)	0.492 x 1.20 (12.5 x 30.5)	0.031 (0.8)	2.165 (55)
G	0.551 x 1.181 (14 x 30)	0.571 x 1.20 (14.5 x 30.5)	0.031 (0.8)	2.165 (55)
H	0.630 x 1.181 (16 x 30)	0.650 x 1.20 (16.5 x 30.5)	0.031 (0.8)	2.165 (55)
I	0.709 x 1.378 (18 x 35)	0.728 x 1.40 (18.5 x 35.5)	0.031 (0.8)	1.575 (40)
J	0.787 x 1.575 (20 x 40)	0.807 x 1.59 (20.5 x 40.5)	0.031 (0.8)	1.575 (40)
K	0.984 x 1.575 (25 x 40)	1.00 x 1.59 (25.4 x 40.5)	0.031 (0.8)	1.575 (40)

**8X009 Series General Purpose**

(- 40°C to + 85°C) - 10% to + 50% Capacitance Tolerance

A-05-11-01

SIEMENS AKTIENGESELLSCHAFT 47E D

Rated Voltage		6.3 Vdc	10 Vdc	16 Vdc	25 Vdc	40 Vdc	63 Vdc	100 Vdc	160 Vdc	250 Vdc	350 Vdc		
Rated Capacitance μF	Tol.	Mechanical Dimensions											
		.33	+ 50%							A			
.47									A				
.68									A				
1									A		D		
2.2								A	B	D	D	D	
3.3									B		D	E	
4.7							A	B	C		D	E	
6.8									C	D		E	
10						A	B	C	D		E	G	
22				A	B	C			D	E	G	H	
33				A	B	C			D	E	G	H	
47				B	C				D	E	G	H	I
68		A		B	C				E	F	H	I	J
100		C			D				E	F	I	J	K
220	- 10%				D				E	F	H	K	
330				D		E				G	I	K	
470				D		E	F	F	I	J			
680						E	F	G	I	K			
1,000			E		F	G	I	J					
2,200			G	G	H	J	K						
3,300			G	H	I	J	K						
4,700			I	J	J	K							
6,800			I	J	J	K							
10,000			J	K									

Series 80009 81009 82009