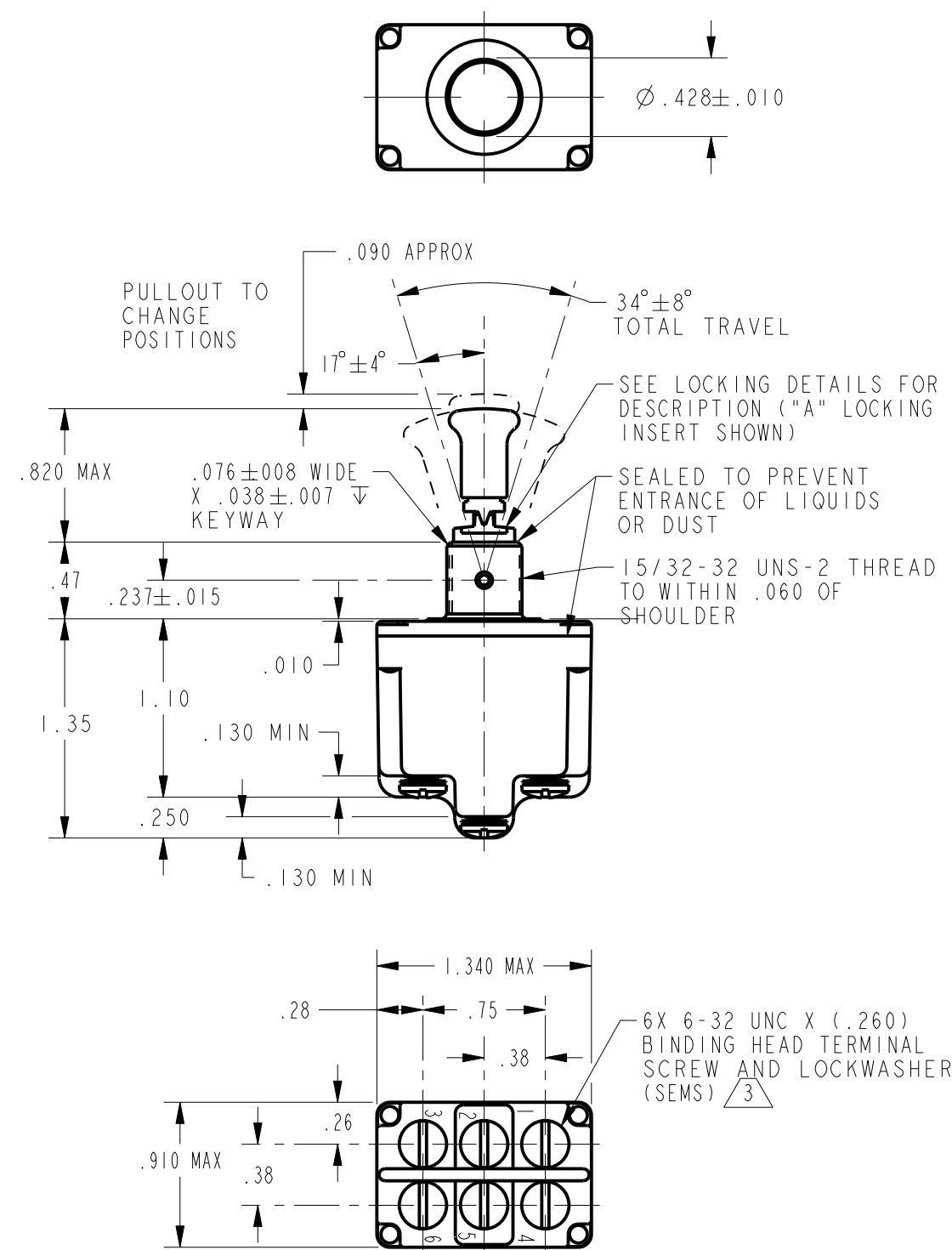


HONEYWELL
PART NUMBER

2TL222 SERIES CHART 2

REV	DOCUMENT	CHANGED BY	CHECK
10	0010276	CVS 29DEC04	AK



2TL222-1A 2TL222-1B 2TL222-1D 2TL222-1E 2TL222-1F 2TL222-1G 2TL222-1H 2TL222-1J 2TL222-1K 2TL222-1L 2TL222-1M 2TL222-1N 2TL222-1P 2TL222-2D 2TL222-2F 2TL222-2G 2TL222-3D 2TL222-3F 2TL222-3G 2TL222-2IE 2TL222-2IF 2TL222-2IK 2TL222-2IM 2TL222-3IE 2TL222-3IF 2TL222-3IK 2TL222-3IM 2TL222-4F 2TL222-5E 2TL222-5F 2TL222-5K 2TL222-5L 2TL222-5M 2TL222-5N 2TL222-6F 2TL222-7E 2TL222-7L 2TL222-7N 2TL222-8F 2TL222-5IE 2TL222-6IE	CATALOG LISTING ⁶	AVAILABLE LOCKING COMBINATIONS FOR CONFIGURATION SEE LETTERED DETAILS	CIRCUIT MADE WITH TOGGLE LEVER IN			CURRENT CAPACITY (AMPS)								
			KEYWAY SIDE (1-2, 4-5)	CENTER (1-2, 4-5)	OPPOSITE KEYWAY (2-3, 5-6)	RESISTIVE LOAD		LAMP LOAD		IND. LOAD				
						20	125	250	125	250	28	125	28	125
	2TL222-1	A,B,D,E,F,G,H,J,K,L,M,N,P	ON	OFF	ON	(REFER TO L191 FOR UL RATING)								
	2TL222-2	D,F,G	OFF	NONE	ON	(REFER TO L191 FOR UL RATING)								
	2TL222-3	D,F,G	ON	NONE	ON	(REFER TO L191 FOR UL RATING)								
	2TL222-2I	E,F,K,M	NONE	OFF	ON	(REFER TO L191 FOR UL RATING)								
	2TL222-3I	E,F,K,M	NONE	ON	ON	(REFER TO L191 FOR UL RATING)								
	2TL222-4	F	MOM OFF	NONE	ON	(REFER TO L192 FOR UL RATING)								
	2TL222-5	E,F,K,L,M,N	MOM ON	OFF	ON	(REFER TO L192 FOR UL RATING)								
	2TL222-6	F	MOM ON	NONE	OFF	(REFER TO L192 FOR UL RATING)								
	2TL222-7	E,L,N	MOM ON	OFF	MOM ON	(REFER TO L192 FOR UL RATING)								
	2TL222-8	F	MOM ON	NONE	ON	(REFER TO L192 FOR UL RATING)								
	2TL222-5I	E	NONE	ON	MOM ON	(REFER TO L192 FOR UL RATING)								
	2TL222-6I	E	MOM ON	OFF	NONE	(REFER TO L192 FOR UL RATING)								
		"A"	LOCKED IN THREE POSITIONS	"B"	LOCKED IN CENTER AND EXTREME POS. (KEYWAY SIDE)	"D"	LOCKED OUT OF CENTER POSITION	"E"	LOCKED IN CENTER POSITION	"F"	LOCKED IN EXTREME POS. (OPP. KEYWAY)	"G"	LOCKED IN EXTREME POS. (KEYWAY SIDE)	
		"H"	LOCKED OUT OF CENTER AND EXTREME POS. (KEYWAY SIDE)	"J"	LOCKED OUT OF CENTER AND EXTREME POS. (OPP. KEYWAY)	"K"	LOCKED IN CENTER AND EXTREME POS. (OPP. KEYWAY)	"L"	LOCKED OUT OF EXTREME POS. (KEYWAY SIDE)	"M"	LOCKED OUT OF AND INTO EXTREME POS. (OPP. KEYWAY)	"N"	LOCKED OUT OF EXTREME POS. (OPP. KEYWAY)	
		"P"	LOCKED OUT OF AND INTO EXTREME POS. (KEYWAY SIDE)	 LOCKWASHER ³		 LOCKING RING ³		 2X HEX NUT ³						
	2TL222-7E	FAA-PMA ⁸												

- NOTES
- SWITCHES ARE CAPABLE OF WITHSTANDING A TEMPERATURE OF 160°F CONTINUOUSLY AT FULL RATED LOAD
 - CIRCUIT DESIGNATION, MICRO SWITCH CATALOG LISTING MARKED ON SIDE OF SWITCH
 - FURNISHED UNASSEMBLED
 - FOR TERMINAL COVER SEE MICRO SWITCH CATALOG LISTING 5PA8
 - KEYWAY SHOWN ON LEFT SIDE
 - SUFFIX LETTER MUST BE ADDED FOR DESIRED TYPE OF TOGGLE LOCKING. SEE CHART FOR AVAILABLE LOCKING COMBINATIONS
 - APPLIES ONLY TO "ON" AND "MOMENTARY ON" POSITIONS
 - FAA-PMA MUST BE MARKED ON SWITCH
 - FOR MANUFACTURING DETAIL SEE THE CORRESPONDING ASSEMBLY DRAWING FOR EACH LISTING FOR FAA-PMA

DESIGN UNITS: INCH TOLERANCES UNLESS NOTED:	DRAWN LJK 29 NOV 99 CHECK JAF 29 NOV 99	Honeywell TITLE SWITCH, TOGGLE	
NO PLACE X ± 0.400 ONE PLACE .X ± 0.100 TWO PLACE .XX ± 0.006 THREE PLACE .XXX ± 0.003 FOUR PLACE .XXXX ± 0.0015 ANGLES X ± 1	THIS DRAWING COVERS A PROPRIETARY ITEM AND IS THE PROPERTY OF HONEYWELL. THIS DRAWING IS NOT TO BE COPIED OR USED WITHOUT THE PERMISSION OF HONEYWELL.		SIZE C TYPE I DRAWING NAME 2TL222 SERIES CHT2 REV 10
THIRD ANGLE PROJECTION 	INTERPRET PER ASME Y14.5M-1994 OTHER HONEYWELL ENGINEERING STANDARDS MAY APPLY Pro/ENGINEER 2D	SCALE - WEIGHT .18 LB APPROX SHEET 1 OF 1	L191 15A 125, 250, 277 VAC 1/2HP 125 VAC 1HP 250, 277 VAC 5A 125 VAC "L" CE R10
			L192 10A 125, 250, 277 VAC 1/4HP 125 VAC 1/2HP 250, 277 VAC 3A 125 VAC "L" CE R10