
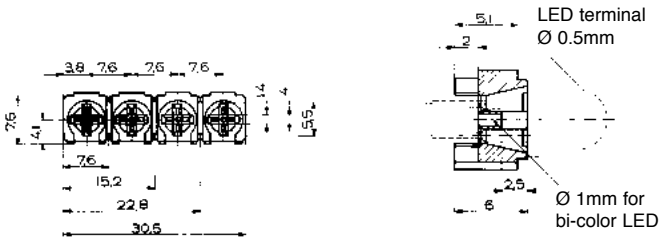

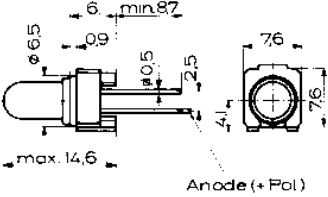
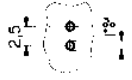

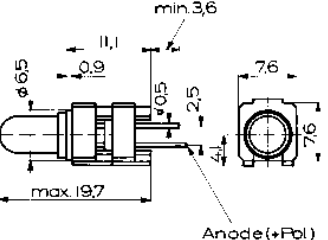
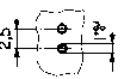

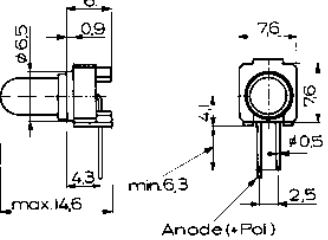
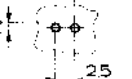

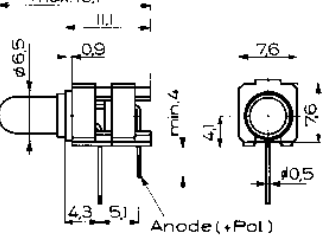



LED-Holder AST / ASL (for 5mm T1-3/4 LED)

| Models | Dimensions | Drilling diagram |
|--|--|---|
| <p>AST without LED</p>  |  | |
| <p>ASL with LED</p>  |  |  |
|  |  |  |
|  |  |  |
|  |  |  |

Technical data

1. Mechanical data

Technical data LED 0925.9201/02/03 see page 87

2. Others

| | |
|---------------------------|---|
| Solderability | max. 2 s 235 °C (IEC 68 2-20 Test Ta Method 1) |
| Soldering heat resistance | max. 5 s 260 °C (IEC 68 2-20 Test Tb Method 1A) |
| Ambient temperature | -25°C - +85°C |
| Storage temperature | -55°C - +100°C |

3. Materials

| | |
|--------|-------------|
| Socket | Thermoplast |
|--------|-------------|