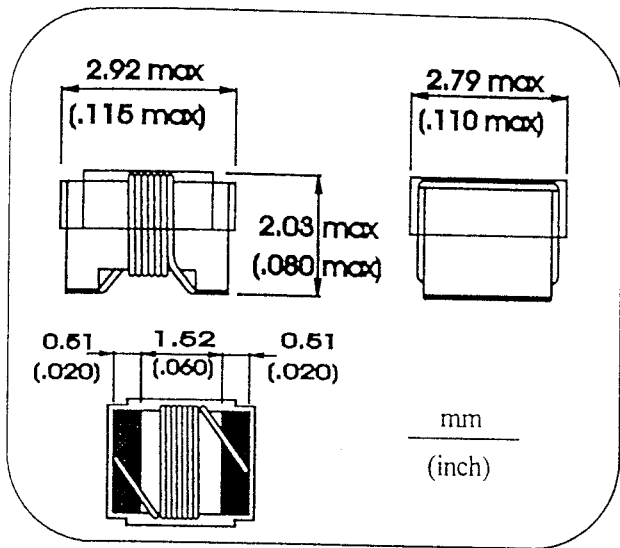


# CHIP INDUCTORS 1008FL SERIES



## ■ FEATURE

- ⊙ Small and lightweight surface mounting type.
- ⊙ Coil body made of ferrite material in chip form.
  - High Q and lower DCR than our 1008C series
  - Inductance Range: 1.2~10uH.
- ⊙ Ferrite construction for higher current carrying capacity.

## ■ APPLICATION

- ⊙ Pagers.
- ⊙ Mobile communication units.
- ⊙ Portable telephone.
- ⊙ Hybrid.

※Special specifications are available for customer's requirement.

| Part No.   | Ind. (uH) | Test Freq. (MHz) | Inductance Tolerance | Q Min | Test Freq. (MHz) | SRF MHz Min | Rdc Ohms Max | RATED CURRENT (mA) |
|------------|-----------|------------------|----------------------|-------|------------------|-------------|--------------|--------------------|
| 1008FL-1R2 | 1.2       | 7.9              | K, J                 | 20    | 50               | 210         | .68          | 650                |
| 1008FL-1R5 | 1.5       | 7.9              | K, J                 | 18    | 50               | 190         | .76          | 630                |
| 1008FL-1R8 | 1.8       | 7.9              | K, J                 | 18    | 50               | 170         | .98          | 600                |
| 1008FL-2R2 | 2.2       | 7.9              | K, J                 | 20    | 50               | 150         | 1.10         | 520                |
| 1008FL-2R7 | 2.7       | 7.9              | K, J                 | 18    | 50               | 135         | 1.28         | 490                |
| 1008FL-3R3 | 3.3       | 7.9              | K, J                 | 18    | 50               | 120         | 1.46         | 450                |
| 1008FL-3R9 | 3.9       | 7.9              | K, J                 | 22    | 7.9              | 105         | 1.56         | 420                |
| 1008FL-4R7 | 4.7       | 7.9              | K, J                 | 22    | 7.9              | 90          | 1.68         | 400                |
| 1008FL-5R6 | 5.6       | 7.9              | K, J                 | 22    | 7.9              | 80          | 1.86         | 380                |
| 1008FL-6R8 | 6.8       | 7.9              | K, J                 | 22    | 7.9              | 70          | 2.50         | 360                |
| 1008FL-8R2 | 8.2       | 7.9              | K, J                 | 20    | 7.9              | 65          | 2.80         | 330                |
| 1008FL-100 | 10.0      | 7.9              | K, J                 | 22    | 7.9              | 60          | 2.95         | 300                |
|            |           |                  |                      |       |                  |             |              |                    |
|            |           |                  |                      |       |                  |             |              |                    |
|            |           |                  |                      |       |                  |             |              |                    |
|            |           |                  |                      |       |                  |             |              |                    |
|            |           |                  |                      |       |                  |             |              |                    |
|            |           |                  |                      |       |                  |             |              |                    |
|            |           |                  |                      |       |                  |             |              |                    |
|            |           |                  |                      |       |                  |             |              |                    |

※ Inductance Tolerance K=10%, J=5%



FRONTIER ELECTRONICS CO., LTD.

4 TH FL. NO. 48, MIN CHUAN RD., HSIN TIEN, TAIPEI HSIEN, TAIWAN, R.O.C.

TEL: (02) 29147685-9

FAX: (02) 29186304

04/17/00

B