

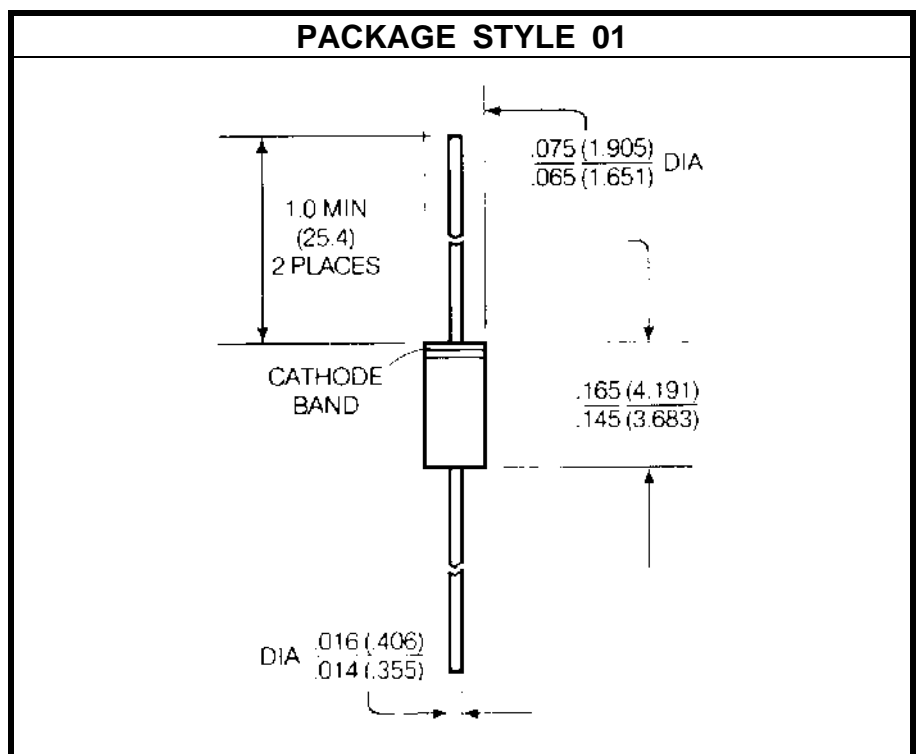
SCHOTTKY BARRIER DIODE

DESCRIPTION:

The **ASI 5082-2787** is a Silicon Small Signal Schottky Diode Designed for UHF/VHF Mixers, and Video Detector Applications. Color Band Indicates Cathode. RF Parameters are Sample Tested.

MAXIMUM RATINGS

I	10 mA
V	4.0 V
P_{DISS}	100 mW @ T _A = 25 °C
T_J	-60 °C to +150 °C
T_{STG}	-60 °C to +150 °C
T_{SOLD}	t = 5.0 Sec. +260 °C


CHARACTERISTICS T_C = 25 °C

SYMBOL	TEST CONDITIONS			MINIMUM	TYPICAL	MAXIMUM	UNITS
V _R	I _R = 10 μA			4.0			V
C _{J0}	V _R = 0 V	f = 1.0 MHz			0.12		pF
T _{SS}	f = 10 GHz					-52	dBm
R _V	P = -40 dBm	R _L = 100 KΩ	f = 10 GHz	1.2		1.8	KW
g	P = -40 dBm	R _L = 100 KΩ	f = 10 GHz	3.5			mV/mW