

Alternator Voltage Regulator FET Driver

Description

The CS3361 integral alternator regulator integrated circuit provides the voltage regulation for automotive, 3-phase alternators.

It drives an external logic level N channel enhancement power FET for control of the alternator field current. In the event of a charge

fault, a lamp output pin is provided to drive an external darlington transistor capable of switching on a fault indicator lamp. An overvoltage or no Stator signal condition activates the lamp output.

The CS3361 is available in a 14 lead SO package.

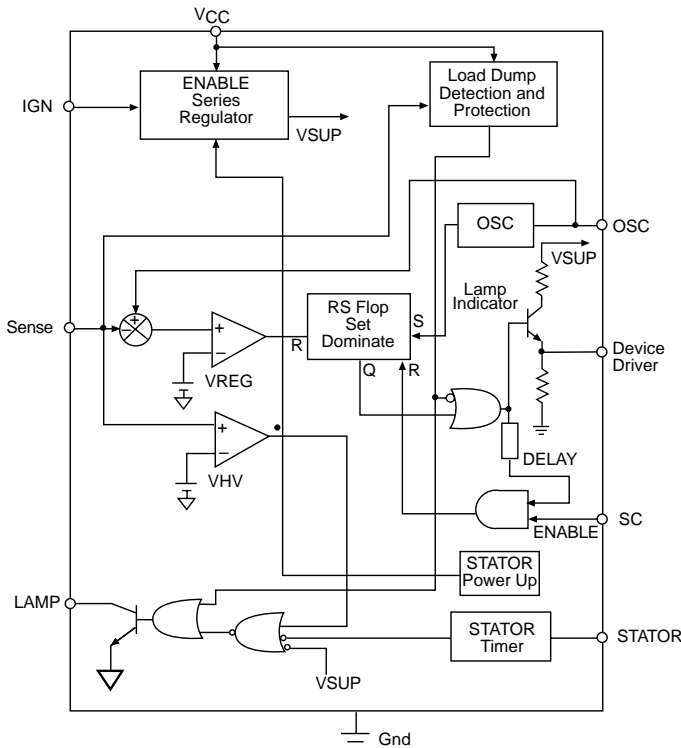
Features

- Drives Logic Level Power NFET
- 80V Load Dump
- Temperature Compensated Regulation Voltage
- Shorted Field Protection Duty Cycle, Self Clearing

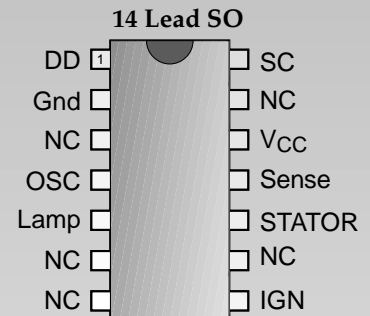
Absolute Maximum Ratings

Storage Temperature Range-55°C to +165°C
 Junction Temperature Range-40°C to +150°C
 Continuous Supply27V
 I_{CC} Load Dump400 mA
 Lead Temperature Soldering
 Reflow (SMD styles only).....60 sec. max above 183°C, 230°C peak

Block Diagram



Package Options



Cherry Semiconductor Corporation
 2000 South County Trail, East Greenwich, RI 02818
 Tel: (401)885-3600 Fax: (401)885-5786
 Email: info@cherry-semi.com
 Web Site: www.cherry-semi.com

PARAMETER	TEST CONDITIONS	MIN	TYP	MAX	UNIT
Supply					
Supply Current Enabled		–		10	mA
Supply Current Disabled		–		50	μA
Driver Stage					
Output High Voltage		5.5		12	V
Output High Current	$V_{DD} = 1.2\text{V}$	-10	-6	-4	mA
Output Low Voltage	$I_{OL} = 25\mu\text{A}$	–		0.35	V
Minimum ON Time	$C_{OSC} = 0.022\mu\text{F}$	200			μs
Minimum Duty Cycle		–	6	10	%
Short Circuit Duty Cycle		1		5	%
Field Switch Turn On Rise Time		15		75	μs
Fall Time		15		75	μs
Stator					
Input High Voltage		10			V
Input Low Voltage		–		6	V
Stator Time Out	High to Low	6	100	600	ms
Lamp					
Output High Current	$V_{LAMP} @ 3\text{V}$	–		50	μA
Output Low Voltage	$I_{LAMP} @ 30\text{mA}$	–		0.35	V
Ignition					
Input High Voltage	$I_{CC} > 1\text{mA}$	1.8		–	V
Input Low Voltage	$I_{CC} < 100\mu\text{A}$	–		0.5	V
Oscillator					
Oscillator Frequency	$C_{OSC} = 0.022\mu\text{F}$	90		210	Hz
Rise Time/Fall Time	$C_{OSC} = 0.022\mu\text{F}$		17	–	–
Oscillator High Threshold	$C_{OSC} = 0.022\mu\text{F}$	–		4.5	V
Battery Sense					
Input Current		-10		+10	μA
Regulation Voltage	@ 25°C , $R_1 = 100\text{k}\Omega$, $R_2 = 50\text{k}\Omega$	13.8		15.8	V
Proportional Control		0.10		0.25	V
High Voltage Threshold Ratio	$\frac{V_{\text{High Voltage @ Lamp On}}}{V_{\text{Regulation @ 50% Duty Cycle}}}$	1.083		1.190	
High Voltage Hysteresis		0.020		0.600	V

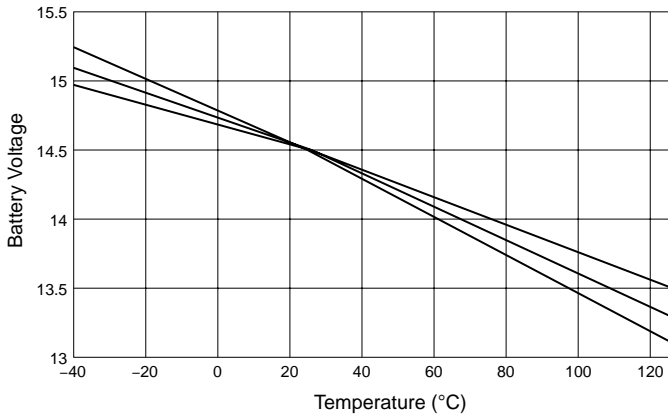
Package Pin Description

CS3361

PACKAGE PIN #	PIN SYMBOL	FUNCTION
14 Lead SO		
1	Driver	Output driver for external power switch.
2	Gnd	Ground.
3, 6, 7, 9, 13	NC	No connection.
4	OSC	Timing capacitor for oscillator.
5	Lamp	Base driver for lamp driver indicates no stator signal or over-voltage condition.
8	IGN	Switched ignition power up.
10	Stator	Stator signal input for stator timer.
11	Sense	Battery sense voltage regulator comparator input and protection.
12	V _{CC}	Supply for IC.
14	SC	Short circuit sensing.

Typical Performance Characteristics

CS3361 Battery Voltage vs Temperature (°C)
Over Process Variation



The CS3361 is designed for use in an alternator charging system.

In a standard alternator design (Figure 1), the rotor carries the field winding. An alternator rotor usually has several N and S poles. The magnetic field for the rotor is produced by forcing current through a field or rotor winding. The Stator windings are formed into a number of coils spaced around a cylindrical core. The number of coils equals the number of pairs of N and S poles on the rotor. The alternating current in the Stator windings is rectified by the diodes and applied to the regulator. By controlling the amount of field current, the magnetic field strength is controlled and hence the output voltage of the alternator.

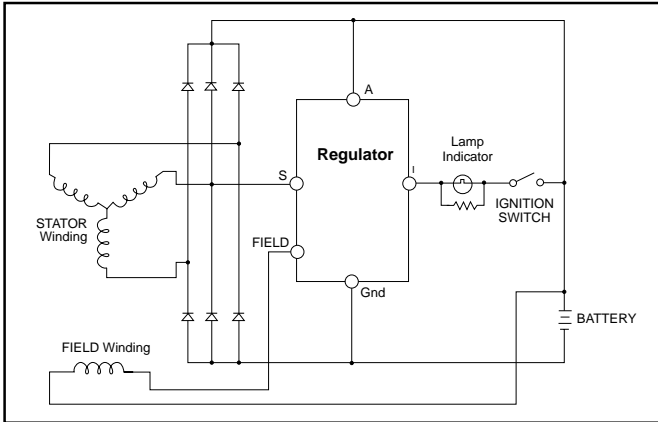


Figure 1. IAR System Block Diagram

Referring to Figure 2, a typical application diagram, the oscillator frequency is set by an external capacitor connected between OSC and ground. The sawtooth waveform ramps between 1V and 3V and provides the timing for the system. For the circuit shown the oscillator frequency is approximately 140Hz. The alternator voltage is sensed at Terminal A via the resistor divider network R1/R2 on the Sense pin of the IC. The voltage at the sense pin determines the duty cycle for the regulator. The voltage is adjusted by potentiometer R2. A relatively low voltage on the sense pin causes a long duty cycle that increases the Field current. A high voltage results in a short duty cycle.

The Ignition Terminal (I) switches power to the IC through the V_{CC} pin. The Stator pin monitors the voltage from the stator and senses a stopped engine condition. It drives the Lamp pin high after the stator timeout expires. The Lamp pin also goes high when an overvoltage condition is detected on the sense pin. This causes the darlington lamp drive transistor to switch on and pull current through the lamp. If the system voltage continues to increase, the field and lamp output turn off as in an overvoltage or load dump condition.

The SC or Short Circuit pin monitors the field voltage. If the drive output and the SC voltage are simultaneously high for a predetermined period, a short circuit condition is assumed and the output is disabled. The regulator is forced to a minimum short circuit duty cycle.

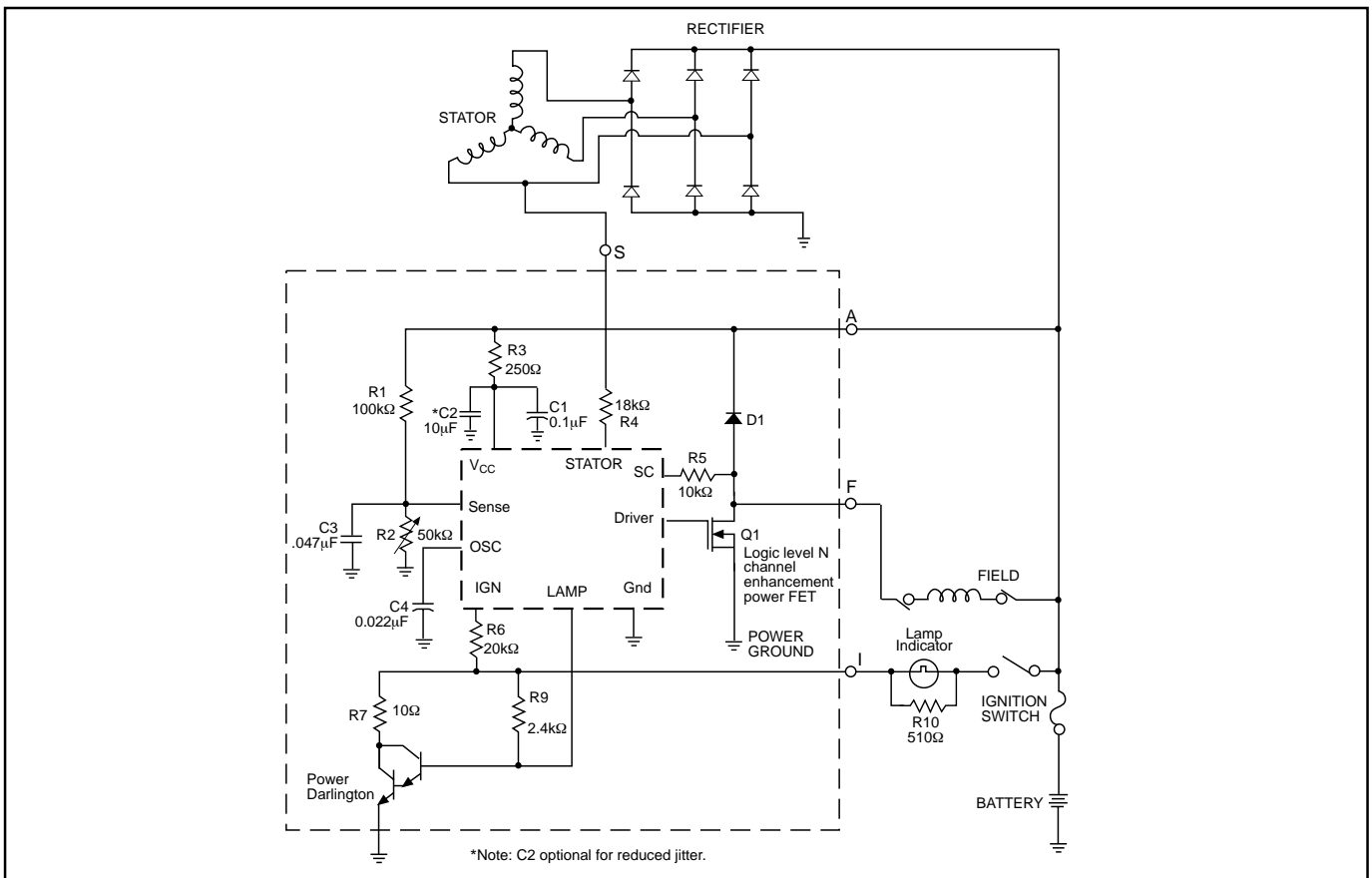


Figure 2. Typical Application Diagram

Package Specification

CS3361

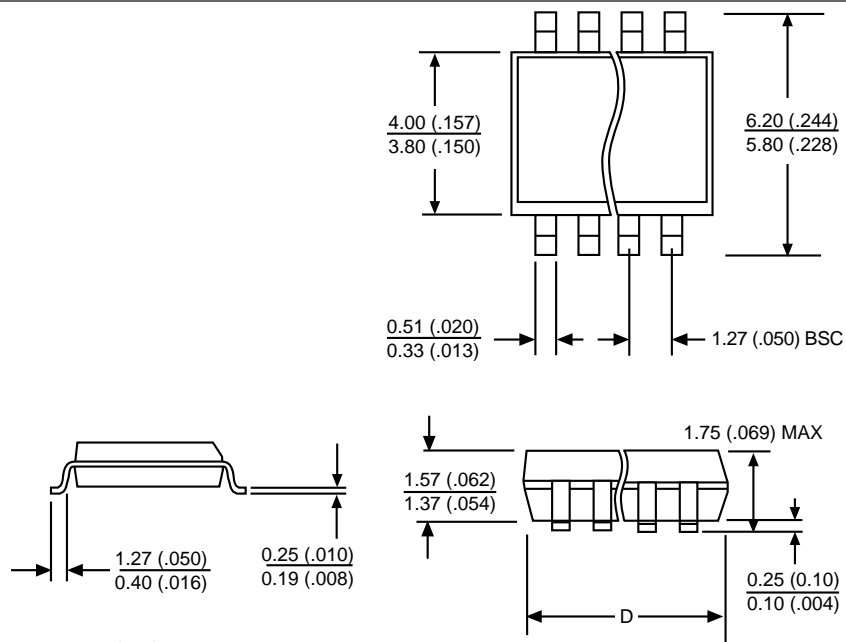
PACKAGE DIMENSIONS IN mm (INCHES)

Lead Count	D			
	Metric		English	
	Max	Min	Max	Min
14L SO	8.75	8.55	.344	.337

PACKAGE THERMAL DATA

Thermal Data		14L SO	
$R_{\theta JC}$	typ	30	$^{\circ}C/W$
$R_{\theta JA}$	typ	125	$^{\circ}C/W$

Surface Mount Narrow Body (D); 150 mil wide



REF: JEDEC MS-012

Ordering Information

Part Number	Description
CS3361YD14	14L SO
CS3361YDR14	14L SO (tape & reel)

Cherry Semiconductor Corporation reserves the right to make changes to the specifications without notice. Please contact Cherry Semiconductor Corporation for the latest available information.