

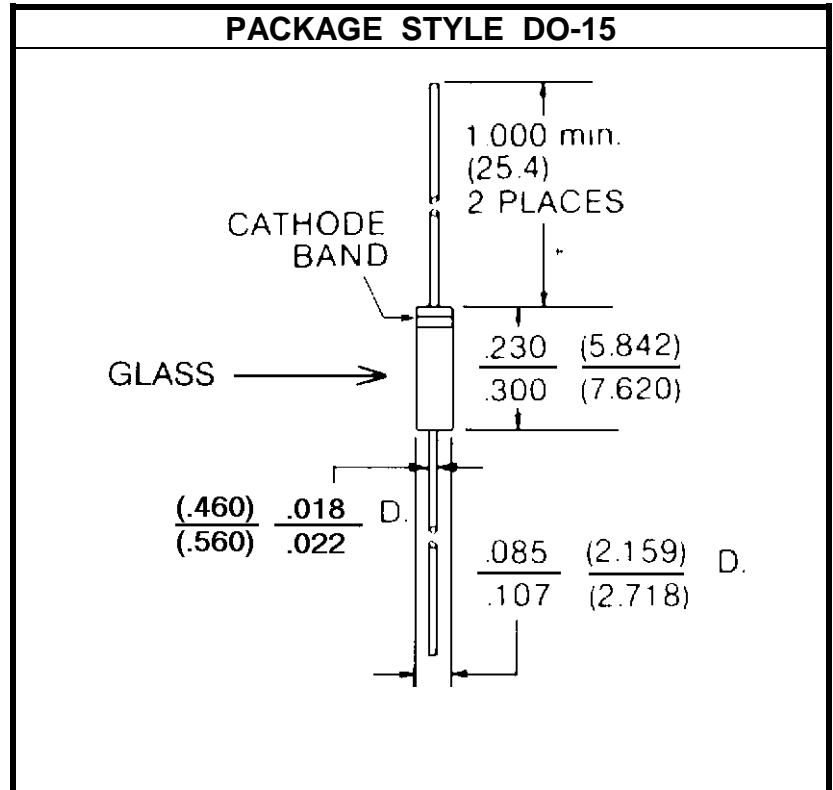
# SCHOTTKY BARRIER DIODE

**DESCRIPTION:**

The **ASI 5082-2301** is a Silicon Small Signal Schottky Diode for General Purpose UHF/VHF Detection and Pulse Applications. Color Band Indicates Cathode.

**MAXIMUM RATINGS**

<b>I<sub>F</sub></b>	35 mA
<b>V<sub>R</sub></b>	30 V
<b>P<sub>DISS</sub></b>	250 mW @ T <sub>A</sub> = 25 °C
<b>T<sub>J</sub></b>	-60 °C to +200 °C
<b>T<sub>STG</sub></b>	-60 °C to +200 °C
<b>θ<sub>JC</sub></b>	700 °C/W


**CHARACTERISTICS** T<sub>C</sub> = 25 °C

SYMBOL	TEST CONDITIONS	MINIMUM	TYPICAL	MAXIMUM	UNITS
<b>V<sub>BR</sub></b>	I <sub>R</sub> = 10 μA	30			<b>V</b>
<b>I<sub>R</sub></b>	V <sub>R</sub> = 15 V			300	<b>nA</b>
<b>V<sub>F</sub></b>	I <sub>F</sub> = 1.0 mA I <sub>F</sub> = 50 mA			0.4 1.0	<b>V</b>
<b>C<sub>T</sub></b>	V <sub>R</sub> = 0 V f = 1.0 MHz			1.0	<b>pF</b>
<b>τ</b>	I <sub>F</sub> = 20 mA			100	<b>pS</b>