

CX-49G

SMD

■Features

- It is a 4.5mm high, compact, crystal unit for surface mounting.
- It is able to cope by means of a metal case and completely sealed high resolution characteristics.
- Copes with high density mounting and is optimum for mass production models.



■Specifications

Type	CX-49G
Frequency Range	3.2~54MHz
Standard Frequency	Table 1
Frequency Tolerance (at 25°C)	±15, ±30, ±50×10 ⁻⁶
Frequency Tolerance Over the Operating Temp. Range	±15, ±30, ±50×10 ⁻⁶ (referred to 25°C)
Operating Temp. Range	-10~+70°C
Storage Temp. Range	40~+85°C
Load Capacitance	3.2~9.999MHz 16pF 4.194303MHz 11.5pF 7.2MHz 10pF 10~54MHz 12pF
Equivalent Series Resistance	Table 1 (3rd O.T. 150Ω)

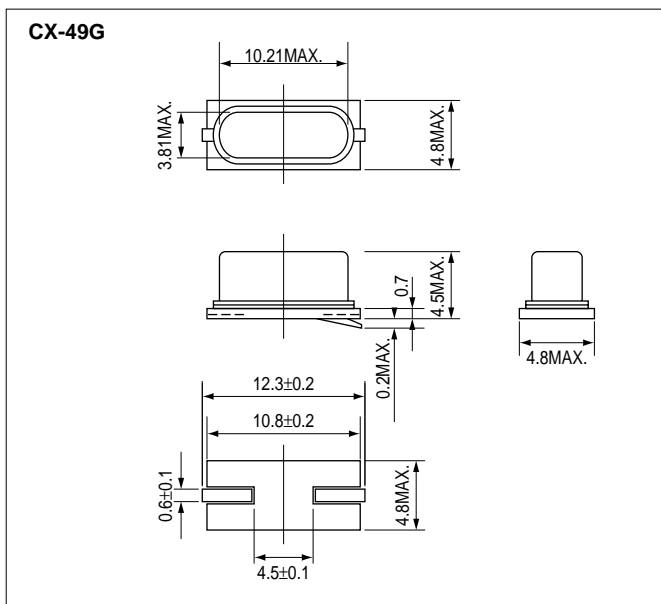
* Taping item packaging : one unit 1,000 pcs

■Table 1 Standard Frequencies

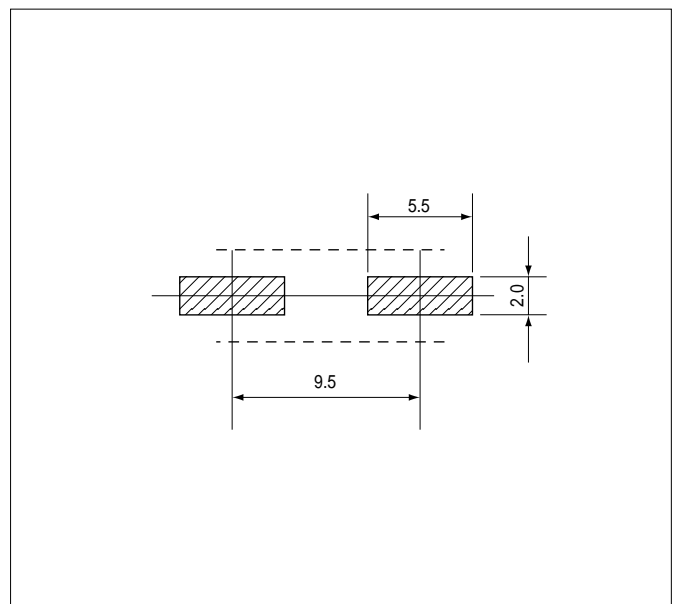
Frequency (MHz)	Equivalent Series Resistance (ΩMAX.)	Frequency (MHz)	Equivalent Series Resistance (ΩMAX.)
3.2000	300	10.240	90
3.579545	150	10.738635	90
3.6864	150	11.000	90
4.000	150	11.0592	90
4.194304	120	12.000	70
4.332	120	12.288	70
4.433619	120	13.500	50
4.500	120	14.31818	50
4.9152	100	16.000	50
6.000	90	16.9344	50
6.144	90	17.734476	50
7.200	90	20.000	50
7.3728	90	21.47727	50
8.000	90	24.000	50
8.4872	90	24.576	50
9.8304	90	27.000	50
10.000	90		

* Please inquire about frequencies other than the above.

■Outline



■Land Pattern(reference)



Dimensions(mm)