

Power Cord with IEC Connector C9, Angled

new



C9



70 °C

**Description**

Power Supply Cord / Interconnection Cord, Protection class II, Pin temperature 70 °C, Cable

Approvals

- VDE License Number: 1058
- UL License Number: E45116
- CSA License Number: 27325

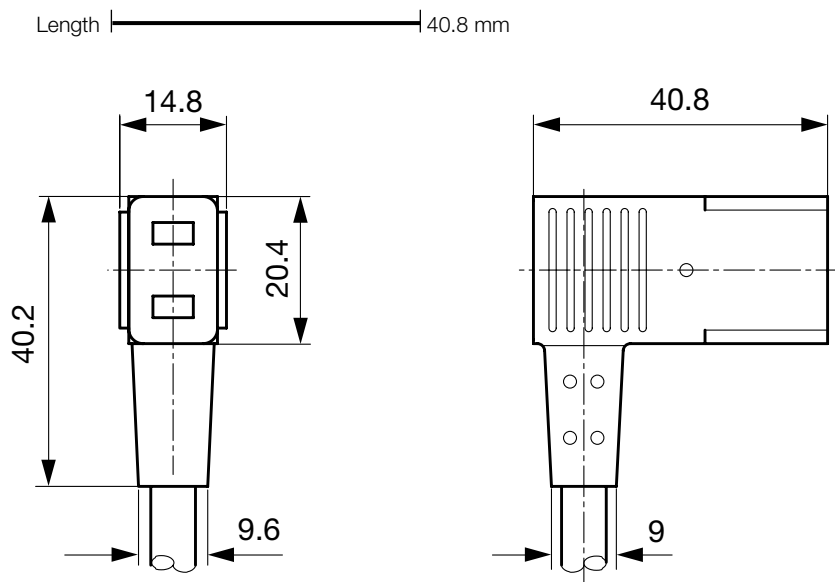
Weblinks

[Approvals](#), [RoHS](#), [CHINA-RoHS](#), [e-Store](#), [SCHURTER-Stock-Check](#), [Distributor-Stock-Check](#), [Product Configurator](#)

Technical Data

Ratings IEC	6 A / 250VAC; 50Hz
Ratings UL/CSA	6 A / 250VAC; 60Hz
Dielectric Strength	> 2 kVDC between L-N > 2 kVAC between L/N-PE (1 min/50Hz)
Allowable Operation Temp.	-25 °C to 70 °C
Degree of Protection	from front side IP 20 acc. to IEC 60529
Protection Class	Suitable for appliances with protection class II acc. to IEC 61140
Terminal	moulded
Material: Housing	PVC, black or grey

Appliance-Inlet/-Outlet	C9 acc. to IEC/EN 60320-2-2 UL 498, CSA C22.2 no. 42 (for cold conditions) pin-temperature 70 °C, 6 A, Protection class II
-------------------------	---

Dimensions

Order Code

Product Configurator

Type - R - 9011 - D - Length

The characters are placeholders for the correspondingly keys of selections from the key tables.
Typ steht für den Stecker bzw. 2. Seite, Länge ist die Leitungslänge in mm.

Type - R - 9011 - D - Length = cord end 2

cord end 2

zzzz, 2225, 2228, 2343, 4121, 419C, 4190, 4191, 607B, 608B, 609B

Type - R - 9011 - D - Length = cord type

cord type

Configuration key

cord type	Configuration key
H03VV-F 2x0,75mm ²	A
H03VWH2-F 2x0,75mm ²	B
H05VV-F 2x0,75mm ²	D
H05VWH2-F 2x0,75mm ²	E
SVT 2x18AWG	M

Cord definition is detailed in general product information XXX

Type - R - 9011 - D - Length = Color

Color

Configuration key

jet black; RAL9005	A
silver grey; RAL7001	B

Standard color: black

Type - R - 9011 - D - Length = Cord length

Cord length

zzzz, 000500, 001000, 001500, 002500, 003000, 005000

cord length in mm

Mating Inlets/Plugs

Category / Description



Appliance Inlet

IEC Appliance Inlet C10, Screw-on Mounting, Front or Rear Side, Solder or Quick-connect Terminal	6058
IEC Appliance Inlet C10, Screw-on Mounting, Front Side, Solder or Quick-connect Terminal	6075
IEC Appliance Inlet C10, Screw-on Mounting, Front Side, Solder or Quick-connect Terminal	6076