
SILICON 28V HYPERABRUPT VARACTOR DIODES

ZC829, ZDC833, ZMV829, ZMDC830, ZV831 Series**Device Description**

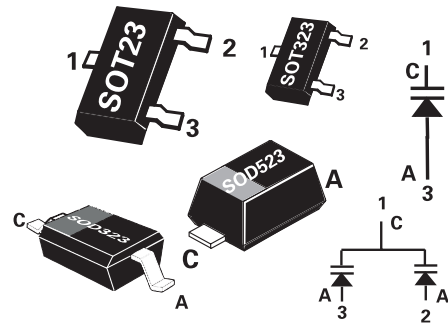
A range of silicon varactor diodes for use in frequency control and filtering. Featuring closely controlled CV characteristics and high Q. Low reverse current ensures very low phase noise performance. Available in single or dual common cathode format in a wide range of miniature surface mount packages.

Features

- Close tolerance C-V characteristics
- High tuning ratio
- Low I_R (typically 200pA)
- Excellent phase noise performance
- High Q
- Range of miniature surface mount packages

Applications

- VCXO and TCXO
- Wireless communications
- Pagers
- Mobile radio



*Where steeper CV slopes are required there is the 12V hyperabrupt range.

ZC930, ZMV930, ZV930, ZV931 Series

830 series

TUNING CHARACTERISTICS at Tamb = 25°C

| PART | Capacitance (pF) V _R =2V, f=1MHz | | | Min Q V _R =3V f=50MHz | Capacitance Ratio C ₂ / C ₂₀ at f=1MHz | |
|------|------------------------------------------------|-------|-------|----------------------------------------|--------------------------------------------------------------------|------|
| | MIN. | NOM. | MAX. | | MIN. | MAX. |
| 829A | 7.38 | 8.2 | 9.02 | 250 | 4.3 | 5.8 |
| 829B | 7.79 | 8.2 | 8.61 | 250 | 4.3 | 5.8 |
| 830A | 9.0 | 10.0 | 11.0 | 300 | 4.5 | 6.0 |
| 830B | 9.5 | 10.0 | 10.5 | 300 | 4.5 | 6.0 |
| 831A | 13.5 | 15.0 | 16.5 | 300 | 4.5 | 6.0 |
| 831B | 14.25 | 15.0 | 15.75 | 300 | 4.5 | 6.0 |
| 832A | 19.8 | 22.0 | 24.2 | 200 | 5.0 | 6.5 |
| 832B | 20.9 | 22.0 | 23.1 | 200 | 5.0 | 6.5 |
| 833A | 29.7 | 33.0 | 36.3 | 200 | 5.0 | 6.5 |
| 833B | 31.35 | 33.0 | 34.65 | 200 | 5.0 | 6.5 |
| 834A | 42.3 | 47.0 | 51.7 | 200 | 5.0 | 6.5 |
| 834B | 44.65 | 47.0 | 49.35 | 200 | 5.0 | 6.5 |
| 835A | 61.2 | 68.0 | 74.8 | 100 | 5.0 | 6.5 |
| 835B | 64.6 | 68.0 | 71.4 | 100 | 5.0 | 6.5 |
| 836A | 90.0 | 100.0 | 110.0 | 100 | 5.0 | 6.5 |
| 836B | 95.0 | 100.0 | 105.0 | 100 | 5.0 | 6.5 |

ABSOLUTE MAXIMUM RATINGS

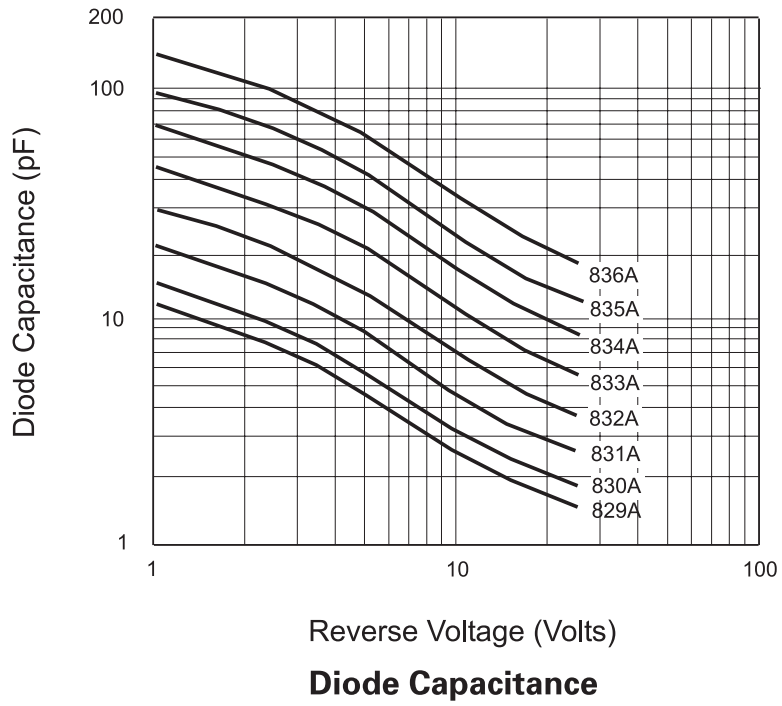
| PARAMETER | SYMBOL | MAX | UNIT |
|-----------------------------------------------------|------------------|-------------|------|
| Forward current | I _F | 200 | mA |
| Power dissipation at T _{amb} = 25°C SOT23 | P _{tot} | 330 | mW |
| Power dissipation at T _{amb} = 25°C SOD323 | P _{tot} | 330 | mW |
| Power dissipation at T _{amb} = 25°C SOD523 | P _{tot} | 250 | mW |
| Operating and storage temperature range | | -55 to +150 | °C |

ELECTRICAL CHARACTERISTICS at Tamb = 25°C

| PARAMETER | CONDITIONS | MIN. | TYP. | MAX. | UNIT |
|----------------------------------------|-------------------------------|------|------|------|---------|
| Reverse breakdown voltage | I _R = 10uA | 25 | | | V |
| Reverse voltage leakage | V _R = 20V | | 0.2 | 20 | nA |
| Temperature coefficient of capacitance | V _R = 3V, f = 1MHz | | 300 | 400 | ppCm/°C |

830 series

TYPICAL CHARACTERISTICS



830 series

ORDER CODES AND PART MARKING

| SOT23 | | SOD323 | | SOD523 | | SOT23 | | SOT323 | |
|------------|-----------|------------|-----------|------------|-----------|------------|-----------|------------|-----------|
| ORDER CODE | PART MARK | ORDER CODE | PART MARK | ORDER CODE | PART MARK | ORDER CODE | PART MARK | ORDER CODE | PART MARK |
| ZC829ATA | J9A | ZMV829ATA | AA | | | | | | |
| ZC829BTA | J9B | ZMV829BTA | CA | | | | | | |
| ZC830ATA | J1A | ZMV830ATA | AB | | | | | | |
| ZC830BTA | J1B | ZMV830BTA | CB | | | | | | |
| ZC831ATA | J3A | ZMV831ATA | AC | | | | | | |
| ZC831BTA | J3B | ZMV831BTA | CC | ZV831BV2TA | 81 | | | ZMDC831BTA | CC |
| ZC832ATA | J4A | ZMV832ATA | AD | | | | | | |
| ZC832BTA | J4B | ZMV832BTA | CD | ZV832BV2TA | 82 | | | ZMDC832BTA | CD |
| ZC833ATA | J2A | ZMV833ATA | AE | | | | ZDC833ATA | C2A | |
| ZC833BTA | J2B | ZMV833BTA | CE | | | | | | |
| ZC834ATA | J5A | ZMV834ATA | AF | | | | ZDC834ATA | C5A | |
| ZC834BTA | J5B | ZMV834BTA | CF | | | | | | |
| ZC835ATA | J6A | ZMV835ATA | AG | | | | | | |
| ZC835BTA | J6B | ZMV835BTA | CG | | | | | | |
| ZC836ATA | J7A | | | | | | | | |
| ZC836BTA | J7B | | | | | | | | |

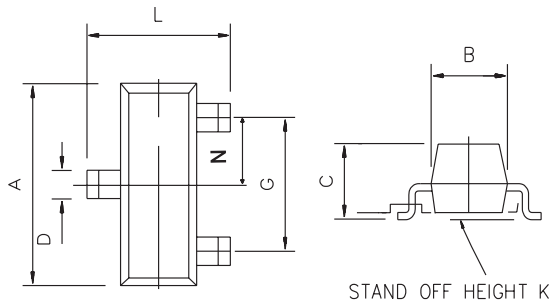
TAPE AND REEL INFORMATION

The order codes are shown as TA which is for 7 inch reels. For 13 inch reels substitute TC in place of TA in the order code.

| REEL CODE | REEL SIZE | TAPE WIDTH | QUANTITY PER REEL |
|-----------|-----------------|------------|-------------------|
| TA | 7 inch (180mm) | 8mm | 3000 |
| TC | 13 inch (330mm) | 8mm | 10000 |

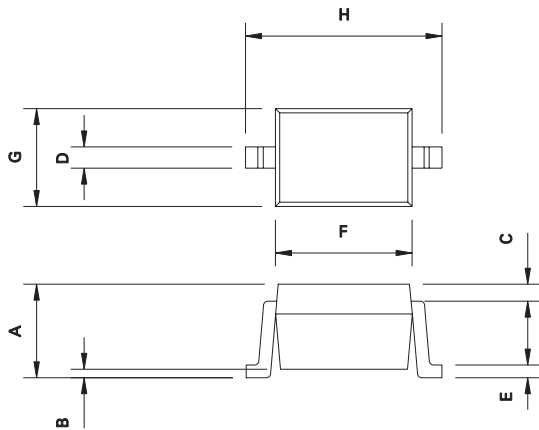
830 series

SOT23 PACKAGE DIMENSIONS



| DIM | Millimetres | | Inches | |
|-----|-------------|------|-----------|--------|
| | Min | Max | Min | Max |
| A | 2.67 | 3.05 | 0.105 | 0.120 |
| B | 1.20 | 1.40 | 0.047 | 0.055 |
| C | - | 1.10 | - | 0.043 |
| D | 0.37 | 0.53 | 0.0145 | 0.021 |
| F | 0.085 | 0.15 | 0.0033 | 0.0059 |
| G | NOM 1.9 | | NOM 0.075 | |
| K | 0.01 | 0.10 | 0.0004 | 0.004 |
| L | 2.10 | 2.50 | 0.0825 | 0.0985 |
| N | NOM 0.95 | | NOM 0.037 | |

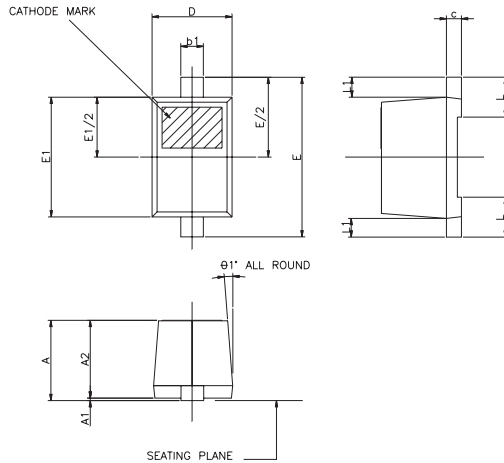
SOD323 PACKAGE DIMENSIONS



| DIM | Millimetres | | Inches | |
|-----|-------------|------|--------|-------|
| | MIN | MAX | MIN | MAX |
| A | 0.91 | 1.16 | 0.036 | 0.046 |
| B | 0.0 | 0.1 | 0.0 | 0.004 |
| D | 0.33 | 0.4 | 0.013 | 0.016 |
| E | 0.127 | 0.2 | 0.005 | 0.008 |
| F | 1.52 | 1.77 | 0.060 | 0.070 |
| G | 1.11 | 1.37 | 0.044 | 0.054 |
| H | 2.46 | 2.71 | 0.097 | 0.107 |

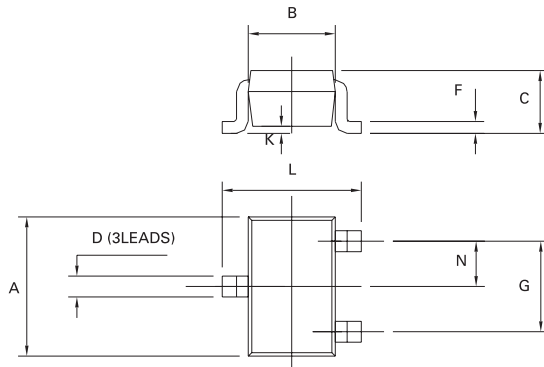
830 series

SOD523 PACKAGE DIMENSIONS



| DIM | MILLIMETRES | |
|-----|-------------|-------|
| | MIN. | MAX |
| A | — | 0.800 |
| A1 | 0.000 | 0.100 |
| A2 | 0.600 | 0.800 |
| b1 | 0.160 | 0.300 |
| c | 0.080 | 0.220 |
| D | 0.700 | 0.900 |
| E | 1.500 | 1.700 |
| E1 | 1.100 | 1.300 |
| L | 0.200 | 0.400 |
| L1 | 0.170 | 0.230 |
| θ1° | 4° | 10° |

SOD323 PACKAGE DIMENSIONS



| DIM | Millimetres | | Inches | |
|-----|-------------|------|--------|-------|
| | MIN | MAX | MIN | MAX |
| A | 1.8 | 2.2 | 0.071 | 0.087 |
| B | 1.15 | 1.35 | 0.045 | 0.053 |
| C | 0.8 | 1.0 | 0.031 | 0.039 |
| D | 0.2 | 0.4 | 0.008 | 0.016 |
| F | 0.1 | 0.25 | 0.004 | 0.01 |
| G | 1.2 | 1.4 | 0.047 | 0.055 |
| K | — | 0.1 | — | 0.004 |
| L | 2.0 | 2.2 | 0.079 | 0.087 |
| N | 0.60 | 0.70 | 0.023 | 0.028 |

© Zetex plc 2001

Zetex plc
Fields New Road
Chadderton
Oldham, OL9 8NP
United Kingdom
Telephone (44) 161 622 4422
Fax: (44) 161 622 4420

Zetex GmbH
Streitfeldstraße 19
D-81673 München
Germany
Telefon: (49) 89 45 49 49 0
Fax: (49) 89 45 49 49 49

Zetex Inc
700 Veterans Memorial Hwy
Hauppauge, NY11788
USA
Telephone: (631) 360 2222
Fax: (631) 360 8222

Zetex (Asia) Ltd
3701-04 Metroplaza, Tower 1
Hing Fong Road
Kwai Fong
Hong Kong
Telephone: (852) 26100 611
Fax: (852) 24250 494

These offices are supported by agents and distributors in major countries world-wide.

This publication is issued to provide outline information only which (unless agreed by the Company in writing) may not be used, applied or reproduced for any purpose or form part of any order or contract or be regarded as a representation relating to the products or services concerned. The Company reserves the right to alter without notice the specification, design, price or conditions of supply of any product or service.

For the latest product information, log on to www.zetex.com

ISSUE 6 - JANUARY 2002