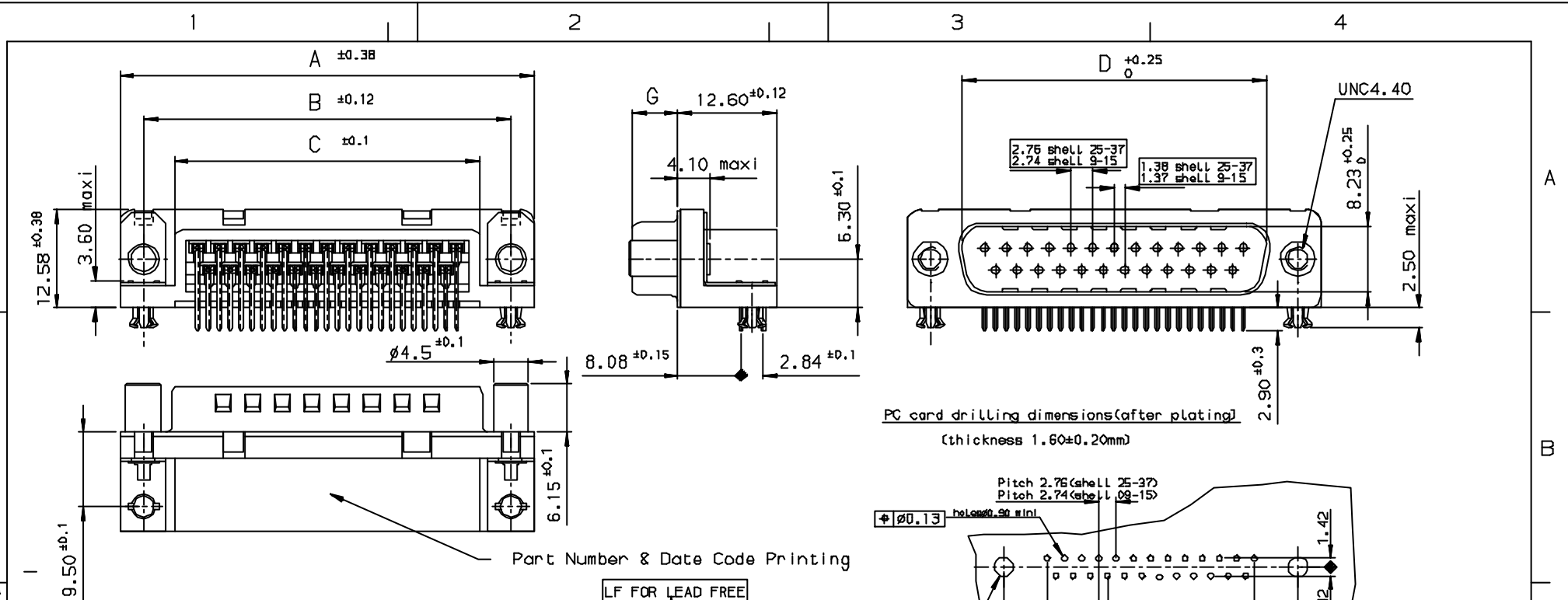


Tous droits strictement réservés. Reproduction ou communication à des tiers interdites sans autorisation écrite de la Direction de la Production. Propriété de FCI. Droits de reproduction FCI.

FCI

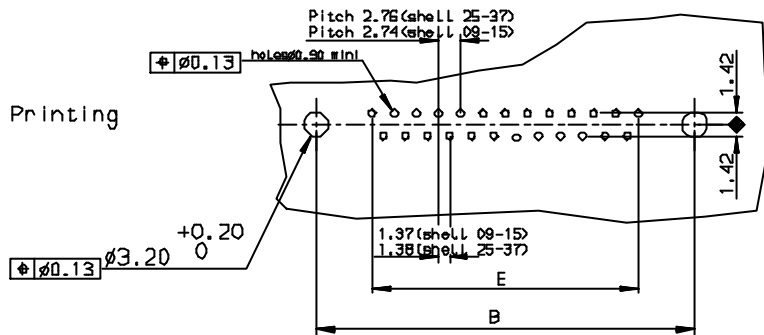
All rights strictly reserved. Reproduction or communication to third parties in any form without the written authorization of the Production Department. Property of FCI. Copyright FCI.



Part Number & Date Code Printing

LF FOR LEAD FREE

| SHELL | A±0.38 | B±0.12 | C±0.10 | D±0.25 | E±0.07 | G±0.25 | PART NUMBER |
|-------|--------|--------|--------|--------|--------|--------|----------------|
| 09 | 30.81 | 24.99 | 16.96 | 16.79 | 10.96 | 5.90 | D09P33A6GV3B** |
| 15 | 39.14 | 33.32 | 25.18 | 25.12 | 19.18 | 5.90 | D15P33A6GV3B** |
| 25 | 53.03 | 47.04 | 39.12 | 38.84 | 33.12 | 5.70 | D25P33A6GV3B** |
| 37 | 69.32 | 63.50 | 55.68 | 55.30 | 49.68 | 5.70 | D37P33A6GV3B** |



FOR ROHS DETAILS REFER DWG.NO:C01-8646-0000

REQUIREMENTS

Technical characteristics.

Shell: steel tin plated
 Insulators: self-extinguishing black polyester, UL04594VD
 Contacts size 20, brass, 0.76µ Au on mating end, bright tin on termination end over nickel on entire contact
 Cycles > 200
 Harpoons: brass, tin plated
 Metal plate for electrical continuity: brass, tin plated
 Screwlocks: brass, tin plated

Electrical characteristics.

max. current rating: 5A
 Test voltage: 1000V
 Rated voltage: 300V
 Contact resistance: <15mΩ
 Shell resistance: <5mΩ
 Insulation resistance: >5000MΩ

Climatic characteristics.

Operating temperature range: -55°C +125°C

Dimensions.

In accordance with NUL-C-24308

| INDEX | DATE | REVISION DESCRIPTION |
|-------|---------|-------------------------|
| b | 27/7/05 | LEAD FREE DETAILS ADDED |

| | |
|-------------|-----------|
| Part number | SEE TABLE |
|-------------|-----------|

| | | | | | |
|---------------------|------------|---|---|----------------|---------------|
| | | ✓ | Tolerance LINEAR ±0.1 ANGULAR ±1° | Projection | MM → |
| Dr JOHN SLEEBA | 17/3/94 | Product Family | D-SUB | Size | A3 |
| Eng GEORGE VJ | 17/3/94 | Spec ref | | Scale | |
| Chr GEORGE VJ | 27/7/05 | Material | | ECN | |
| Appr K Somasundaram | 27/7/05 | | | | |
| FCI | Title | MALE CONNECT. DELTA D right angled screwlock harpoon, metal plate | | Dwg no | C01-8646-0228 |
| | Rev. | | | | b |
| | Catalog no | DELTA-D | | CUSTOMER COPY | Sheet 1 of 1 |