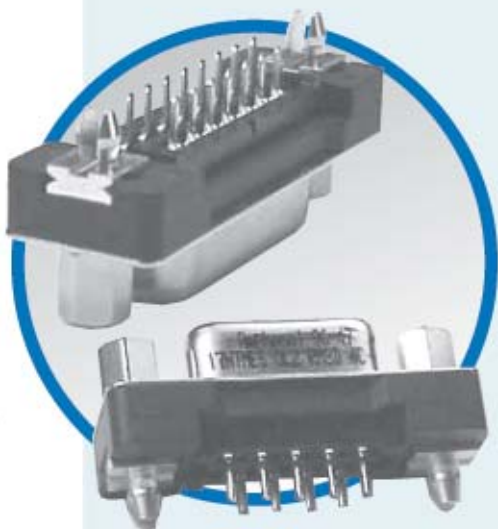


# TS

D-Sub connectors - Stamped and Formed Contacts

## STRAIGHT PCB TERMINATION ONE METAL SHELL CONNECTORS



MAIN CHARACTERISTICS

### Specifications

- Connectors according to MIL C24308

Materials and platings	
<b>Shells</b>	Steel with nickel plating
<b>Insulator</b>	Glass-filled thermoplastic, UL 94V-0
<b>Contacts</b>	Copper alloy, selective gold plating
<b>Boardlock</b>	Brass with nickel plating
<b>Screwlock</b>	Brass with nickel plating

Electrical Data	
<b>Current rating</b>	5A
<b>Voltage rating</b>	600V AC/rms 50Hz
<b>Withstanding voltage</b>	1000V AC/rms 50Hz for one minute
<b>Insulation resistance</b>	5000MΩ
<b>Contact resistance</b>	10mΩ max

Climatic Data	
<b>Operating temperature</b>	-55°C to +125°C

Mechanical Data		
<b>Mating and unmating force</b> Unit: kg (lb)		
<b>No. of Cts</b>	<b>Mate (max)</b>	<b>Unmate (min)</b>
9	3.05 (6.74)	0.36 (0.79)
15	5.09 (11.24)	0.46 (1.01)
25	8.44 (18.66)	0.81 (1.8)
37	12.51 (27.65)	1.1 (2.47)
<b>Standard plating thicknesses</b>		
	<ul style="list-style-type: none"> <li>• gold flash</li> <li>• 0.4μm (15μ") gold</li> <li>• 0.76μm (30μ") gold</li> </ul>	

DESCRIPTION

The one shell D-sub Amphenol series features, stamped and formed contacts.

This series gives you Amphenol's high standards of quality and reliability to meet all of your commercial requirements

*Economical  
straight PCB,  
one shell  
connectors*

APPLICATIONS

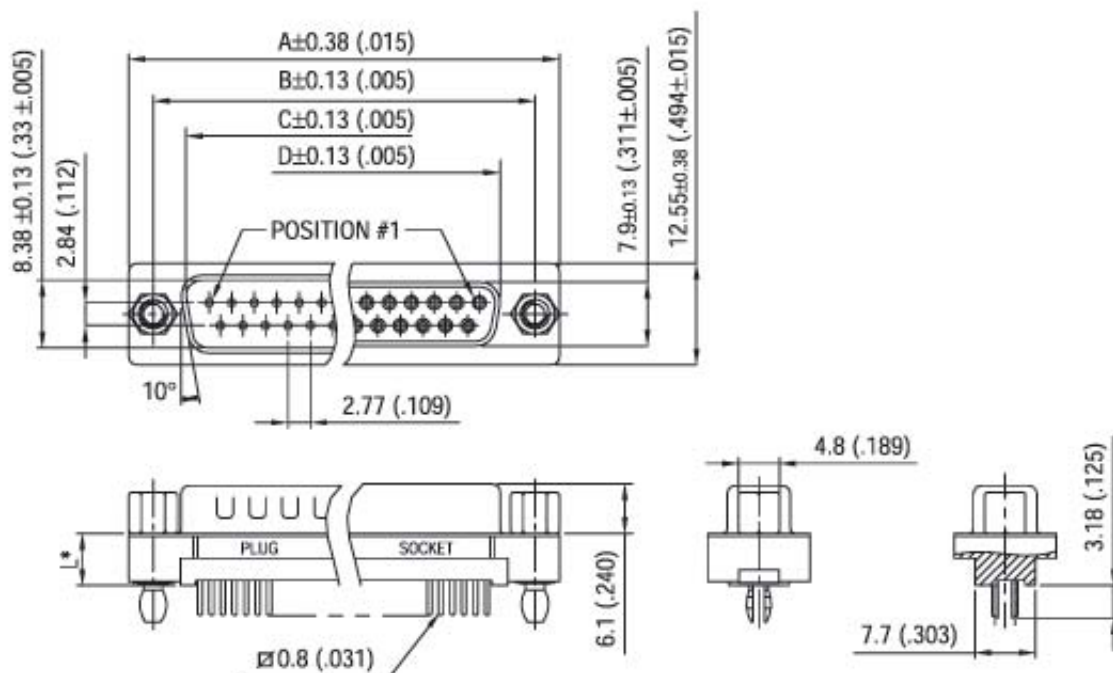
- Industrial
- Telecom
- Any industry standard I / O connections



**Amphenol**

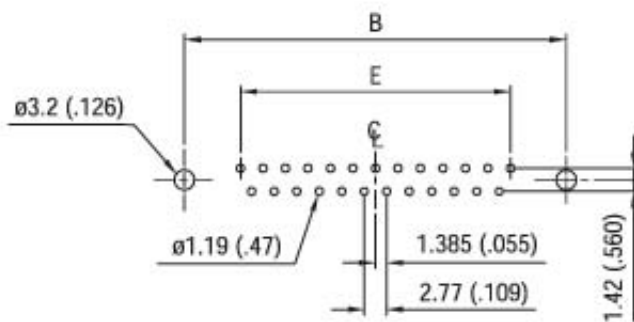
TS / E10

### Shell size dimensions



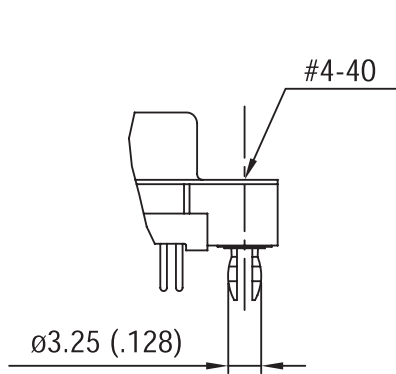
\*see chart "how to order"

### Recommended P.C.B. Layout

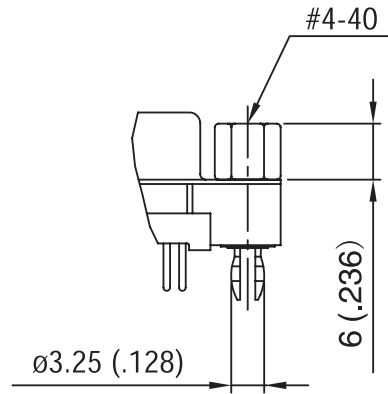


Nb OF CONTACTS	DIMENSIONS mm (inch)				
	A	B	C	D	E
9	30.84 (1.21)	24.99 (.984)	16.92 (.666)	16.26 (.640)	11.08 (.436)
15	39.24 (1.54)	33.32 (1.31)	25.25 (.994)	24.56 (.967)	19.39 (.763)
25	53.04 (2.09)	47.04 (1.85)	38.96 (1.53)	38.30 (1.51)	33.24 (1.31)
37	69.34 (2.73)	63.50 (2.50)	55.42 (2.18)	54.76 (2.16)	49.86 (1.96)

## Panel mounting option

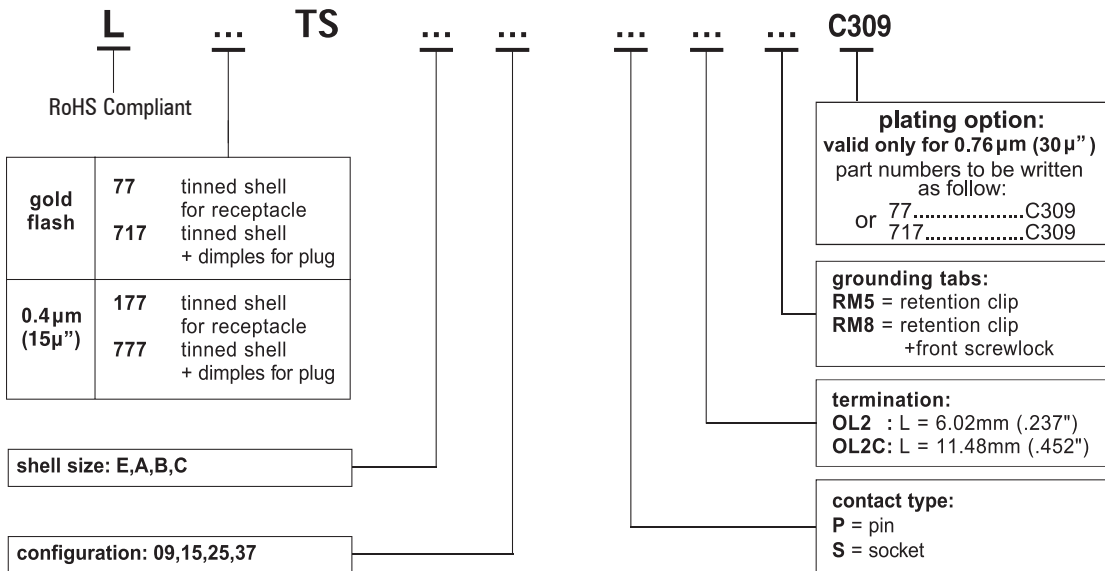


Standoff boardlock  
**RM5**



Standoff boardlock  
**RM8**

## How to order



**For special request, please consult factory**



