

D-SUB CONNECTOR H.D. SOLDER TYPE



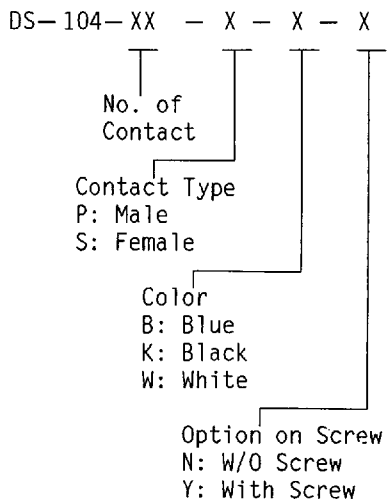
SPECIFICATION

- * Current Rating:
3 A
- * Withstanding Voltage:
1000 VAC (1 min.)
- * Insulation Resistance:
1000 MΩ min.
- * Contact Resistance:
30 mΩ max.
- * Operating Temperature:
-40°C to +85°C

MATERIAL

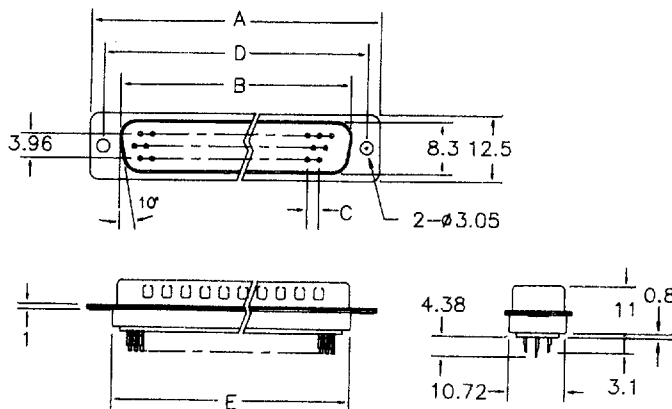
- * Contact: Brass, Gold Plated
- * Insulator: PBT & 30% G. F.
- * Shell: Stell, Tin Plated

ORDER INFORMATION

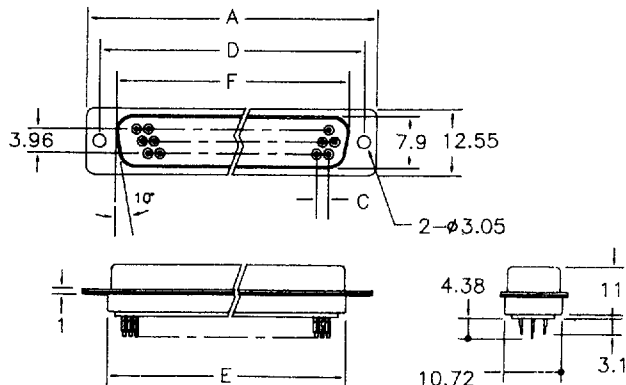


Specifications are subject to change without notice

MALE



FEMALE



POS	A	B	C	D	E	F
15	30.80	16.90	2.29	24.99	19.30	16.30
26	39.10	25.30	2.29	33.32	27.50	24.70
44	53.00	39.00	2.29	47.04	41.30	38.40
62	69.30	55.40	2.41	63.50	57.70	54.80
78	66.90	52.86	2.41	61.11	55.30	52.34