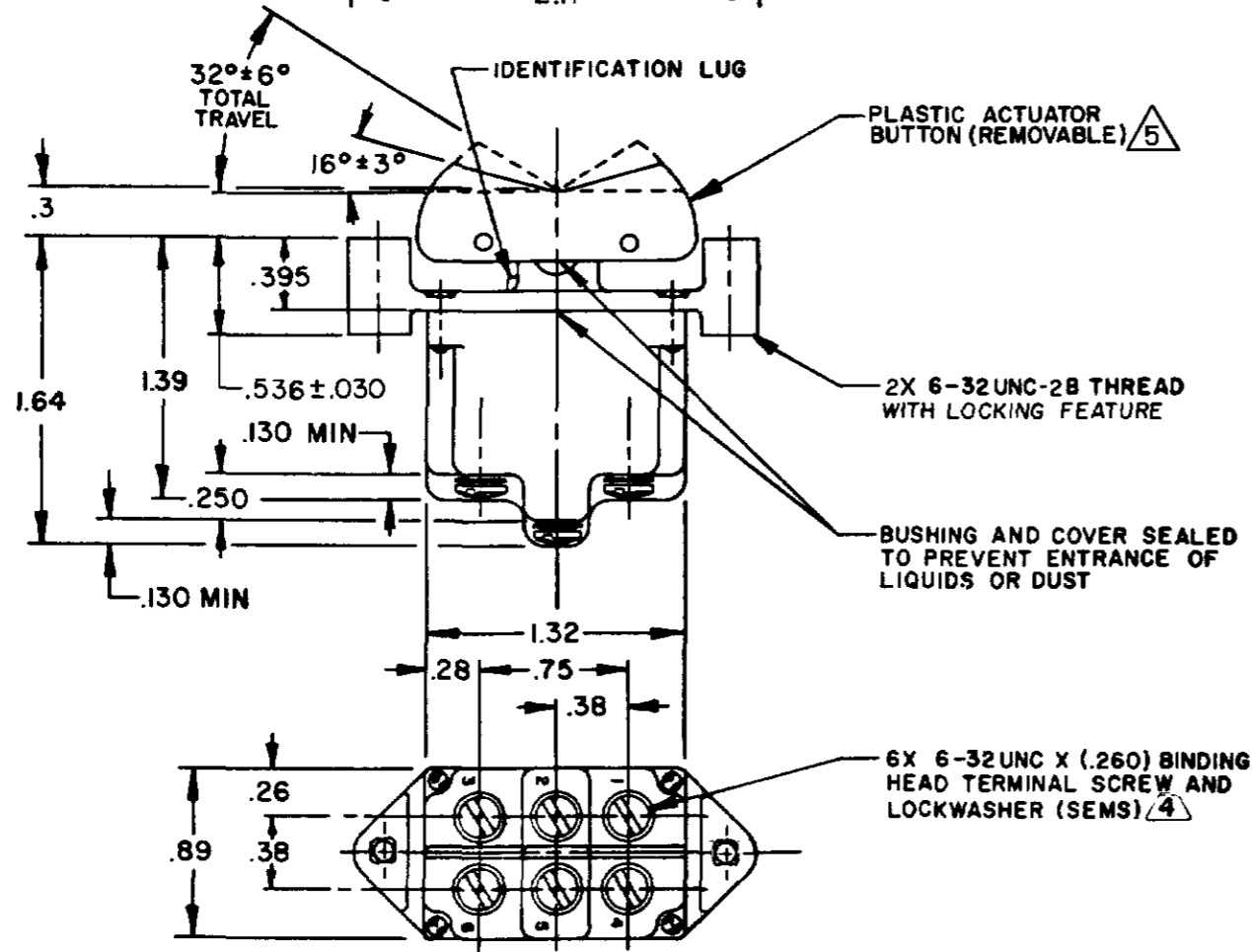
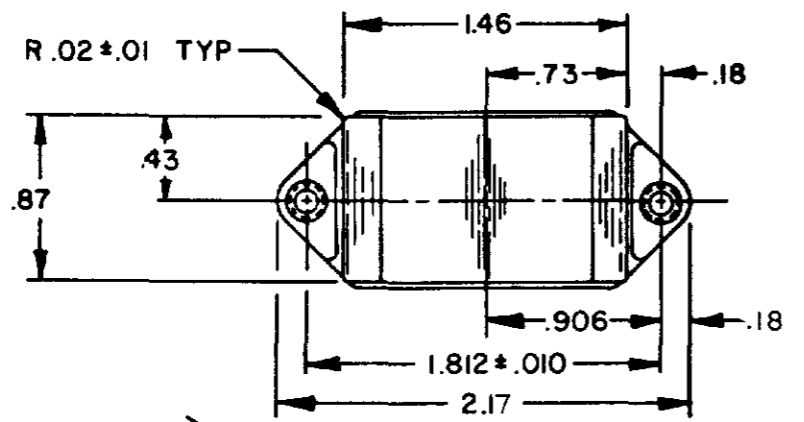


**CIRCUIT MADE WITH  
BUTTON DEPRESSED ON**

CATALOG LISTING	LUG SIDE (1-2,4-5)	CENTER (1-2,4-5)	OPPOSITE LUG (2-3,5-6)
-----------------	-----------------------	---------------------	---------------------------

**ELECTRICAL DATA**



2TP500-1	ON	OFF	ON
2TP500-2	OFF	NONE	ON
2TP500-3	ON	NONE	ON
2TP500-21	NONE	OFF	ON
2TP500-31	NONE	ON	ON
2TP500-4	MOM OFF	NONE	ON
2TP500-5	MOM ON	OFF	ON
2TP500-6	MOM ON	NONE	OFF
2TP500-7	MOM ON	OFF	MOM ON
2TP500-8	MOM ON	NONE	ON
2TP500-51	NONE	ON	MOM ON
2TP500-61	MOM ON	OFF	NONE

L191 15A 125, 250, 277 VAC  
1/2HP 125 VAC  
1HP 250, 277 VAC  
5A 125 VAC "L"



L192 10A 125, 250, 277 VAC  
1/4HP 125 VAC,  
1/2HP 250, 277 VAC  
3A 125 VAC "L"



**BUTTON COLOR KEY 5**

DESIGNATOR	COLOR/DESCRIPTION
W	WHITE
R	RED
Y	YELLOW
BK	BLACK
G	GREEN
BL	BLUE
T	TRANSPARENT
NB	NO BUTTON

- NOTES**
- 1 - MICRO SWITCH CATALOG LISTING MARKED ON SIDE OF SWITCH
  - 2 - THESE SWITCHES WILL WITHSTAND TEMPERATURE OF 160°F
  - 3 APPLIES ONLY TO "ON" AND "MOMENTARY ON" POSITIONS
  - 4 SCREWS FURNISHED UNASSEMBLED
  - 5 SUFFIX MUST BE ADDED FOR DESIRED BUTTON DESIGNATOR. (EXAMPLE: 2TP500-1-W)

CATALOG LISTING  
**2TP500 SERIES CHART 1**  
 PAGE 1 OF 1  
 ISSUE 2  
 REVISIONS  
 A CO-95261  
 J J A  
 29 NOV 99  
 CHECK  
 6 MAY 99  
 J A F  
 CHECK  
 6 MAY 99  
 D L T  
 DRAWN  
 6 MAY 99  
 FORMTEK

THIRD ANGLE PROJECTION

SCALE FULL

DO NOT SCALE PRINT

UNLESS OTHERWISE SPECIFIED TOLERANCES ARE

ONE PLACE	(.0)	±.030
TWO PLACE	(.00)	±.015
THREE PLACE	(.000)	±.005
ANGLES		±
WEIGHT		

ANSI Y14.5M-1982 APPLIES