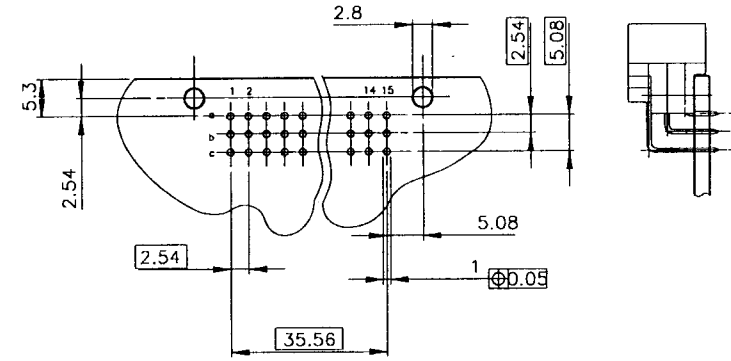
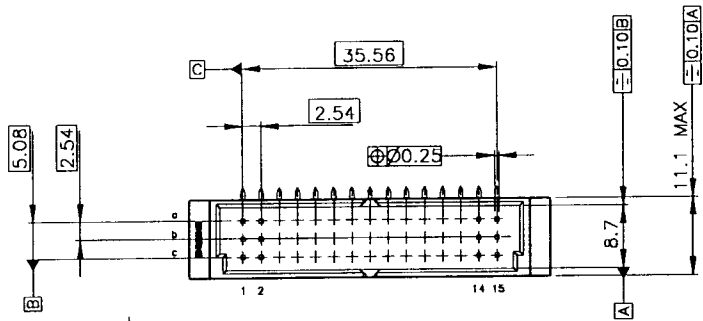
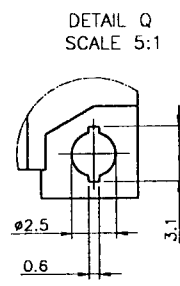
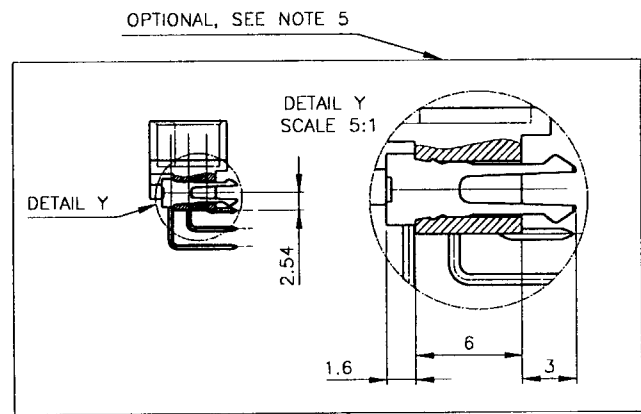
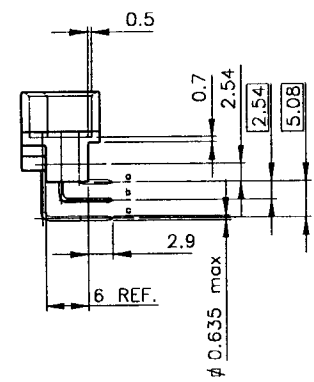
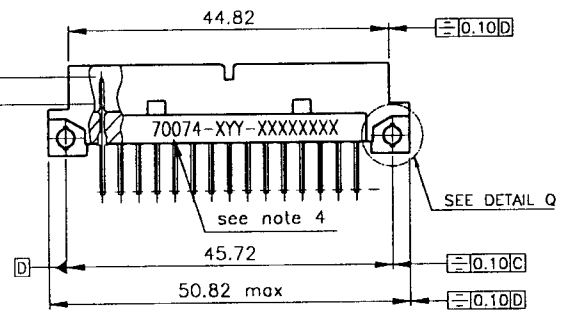


FOR PRODUCT NUMBER SEE SHEET 2/2

P.C. MOUNTING HOLE PATTERN



CONTACT AREA 3.8 MIN



- NOTES:
- MATERIAL PIN : PHOSPHOR BRONZE
 - MATERIAL BODY: THERMOPLASTIC POLYESTER
30% FIBER GLASS FILLED
COLOUR: GREY, FLAME RETARDANT PER UL-94-V0
 - PLATING FOR CONTACT AREA: SEE TABLE
 - PRINTING CONSISTS OF 70074-YYY-OZ-XXXXXXX
PRODUCT NUMBER
PLATING CODE X
LOADING CODE YY
CLIP CODE (optional)
BATCH CODE
 - AS AN OPTION THE 70074 CONNECTOR IS AVAILABLE WITH
A BOARD FIXING CLIP. THE P/N IS THEN 70074-YYY-OZ.
SEE SHEET 2/2.

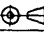
part code		see notes		tolerances unless otherwise specified		CUSTOMER COPY		BERG ELECTRONICS	
lit	err no	dr	date	linear		projection	file	DIN R.A. MALE	
A	H89344	MLO	890712					3 x 15pos CONN	
B	H20199	MVI	920410					product family BACKPANEL	
C	H30356	RBE	930616	angles				code	2.13
D	H30433	RBE	931012	dr	W. Visschers	920410	mm	size	dwg no
E	F50830	OMA	95.09.04	eng	M. Loman	920410	scale	2:1	sheet
F	F90181	LMU	99.03.16	chr	M. Loman	920410		Az	70074
		app	H. Coelimaans	920410					1 of 2
sheet	revision	F	D						
index	sheet	1	2						

PRODUCT NUMBER 70074-XXX-0Z

PLATING CODE X		
PRODUCT NO	CONTACT AREA	SOLDER TAIL
70074-1YY	0.40µm Au min over Ni	TIN / LEAD
70074-2YY	0.80µm Au min over Ni	TIN / LEAD
70074-3YY	2.00µm Au min over Ni	TIN / LEAD
70074-4YY	1.25µm Au min over Ni	TIN / LEAD

LOADING CODE "YY"																
PRODUCT NO	PIN "X" PLACED IN POSITION															
	ROW	1	2	3	4	5	6	7	8	9	10	11	12	13	14	15
70074-X01	a	X		X		X		X		X		X		X		X
	b															
	c	X		X		X		X		X		X		X		X
70074-X02	a	X	X	X	X	X	X	X	X	X	X	X	X	X	X	X
	b	X	X	X	X	X	X	X	X	X	X	X	X	X	X	X
	c	X	X	X	X	X	X	X	X	X	X	X	X	X	X	X
70074-X03	a	X	X	X	X	X	X	X	X	X	X	X	X	X	X	X
	b	X	X	X	X	X	X	X	X	X	X	X	X	X	X	X
	c	X	X	X	X	X	X	X	X	X	X	X	X	X	X	X
70074-X04	a	X	X	X	X	X	X	X	X	X	X	X	X	X	X	X
	b	X	X	X	X	X	X	X	X	X	X	X	X	X	X	X
	c	X	X	X	X	X	X	X	X	X	X	X	X	X	X	X
70074-X05	a	X	X	X	X	X	X	X	X	X	X	X	X	X	X	X
	b	X	X	X	X	X	X	X	X	X	X	X	X	X	X	X
	c	X	X	X	X	X	X	X	X	X	X	X	X	X	X	X
70074-X06	a	X	X	X	X	X	X	X	X	X	X	X	X	X	X	X
	b	X	X	X	X	X	X	X	X	X	X	X	X	X	X	X
	c	X	X	X	X	X	X	X	X	X	X	X	X	X	X	X
70074-X07	a	X	X	X	X	X	X	X	X	X	X	X	X	X	X	X
	b	X	X	X	X	X	X	X	X	X	X	X	X	X	X	X
	c	X	X	X	X	X	X	X	X	X	X	X	X	X	X	X
70074-X08	a	X	X	X	X	X	X	X	X	X	X	X	X	X	X	X
	b	X	X	X	X	X	X	X	X	X	X	X	X	X	X	X
	c	X	X	X	X	X	X	X	X	X	X	X	X	X	X	X
70074-X09	a	X	X	X	X	X	X	X	X	X	X	X	X	X	X	X
	b	X	X	X	X	X	X	X	X	X	X	X	X	X	X	X
	c	X	X	X	X	X	X	X	X	X	X	X	X	X	X	X
70074-X00	a	X	X	X	X	X	X	X	X	X	X	X	X	X	X	X
	b	X	X	X	X	X	X	X	X	X	X	X	X	X	X	X
	c	X	X	X	X	X	X	X	X	X	X	X	X	X	X	X

CLIP CODE "0Z" (Optional)	
PRODUCT NUMBER	PCB THICKNESS
70074-XXX-01	1.6

mat'l. code	see table	tolerances unless otherwise specified	CUSTOMER COPY	BERG ELECTRONICS	
itr	REN no	date	linear	projection	title
A	H89244	M.O	920712		DIN R.A. MALE
B	H20198	M.H	920410		3 x 15pos CONN.
C	H30356	RBE	930618	angles	product family
D	H30433	RBE	931012	mm	BACKPANEL
		eng	M. Vrieschers	920410	code
		chr	M. Loman	920410	213
		app	H. Cozijnans	920410	scale
				---	A2
sheet	revision				70074
size	sheet				2 of --