

**FEATURES**

- Radial Format
- Up to 1.8A IDC
- 10 $\mu$ H to 68mH
- Low DC Resistance
- Miniature Size
- PCB Mounting
- MIL-I-23053/5 Class III Slewing
- Fully Tinned Leads
- Supplied in Packs of 20
- Custom Parts Available

**DESCRIPTION**

The 1700 Series is a general-purpose range of inductors suitable for low to medium current applications. Their small footprint makes them ideal for high-density applications where a chip inductor will not cope with the power requirement.

**SELECTION GUIDE**

Order Code	Inductance $\pm 10\%$ (at 1kHz) $\mu$ H	DC Resistance $\Omega$ MAX	DC Current Continuous A MAX	Nominal Q at f kHz		Nominal Self Resonant Frequency MHz
				Q	f	
<b>17103</b>	10.0	0.05	1.80	40	1000	21.2
<b>17153</b>	15.0	0.06	1.50	30	500	19.4
<b>17223</b>	22.0	0.08	1.20	30	500	17.0
<b>17333</b>	33.0	0.13	1.00	25	500	11.4
<b>17473</b>	47.0	0.20	0.86	25	500	10.9
<b>17683</b>	68.0	0.26	0.85	70	100	10.6
<b>17104</b>	100.0	0.35	0.74	65	100	8.9
<b>17154</b>	150.0	0.49	0.58	80	100	6.2
<b>17224</b>	220.0	0.75	0.48	90	100	5.4
<b>17334</b>	330.0	1.10	0.42	95	100	4.5
<b>17474</b>	470.0	1.50	0.34	100	100	3.2
<b>17684</b>	680.0	2.40	0.28	105	100	3.0
<b>17105</b>	1.0mH	3.30	0.19	120	100	2.5
<b>17155</b>	1.5mH	5.90	0.15	130	100	2.1
<b>17225</b>	2.2mH	7.80	0.12	130	50	1.9
<b>17335</b>	3.3mH	9.1	0.11	125	150	1.2
<b>17475</b>	4.7mH	12.0	0.09	130	150	0.95
<b>17685</b>	6.8mH	20.0	0.08	135	150	0.85
<b>17106</b>	10.0mH	34.0	0.07	140	150	0.62
<b>17156</b>	15.0mH	45.0	0.06	145	150	0.51
<b>17226</b>	22.0mH	75.0	0.05	100	50	0.34
<b>17336</b>	33.0mH	100.0	0.04	90	50	0.28
<b>17476</b>	47.0mH	140.0	0.03	80	50	0.25
<b>17686</b>	68.0mH	220.0	0.02	70	50	0.20

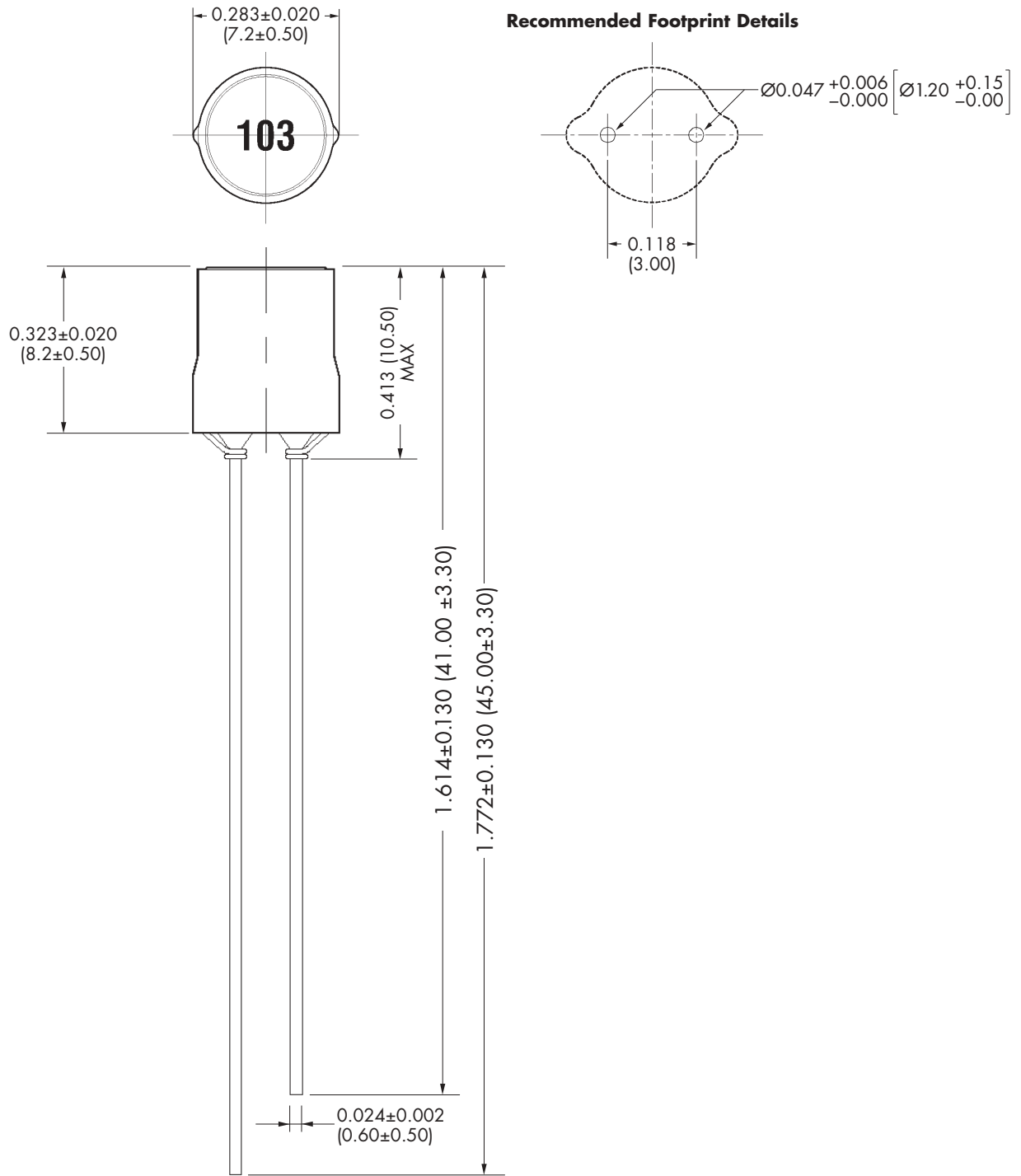
**TYPICAL CORE CHARACTERISTICS**

Inductance Temperature Coefficient	Resistance Temperature Coefficient	Curie Temperature $T_C$	Saturation Flux $B_{SAT}$
350ppm	3900ppm	190°C	325mT

**ABSOLUTE MAXIMUM RATINGS**

Operating free air temperature range	0°C to 70°C
Storage temperature range	-40°C to 125°C

**MECHANICAL DIMENSIONS**



All dimensions in mm XX.X  $\pm 0.50$ , XX.XX  $\pm 0.25$

C&D Technologies Inc. reserve the right to alter or improve the specification, internal design or manufacturing process at any time, without notice. Please check with your supplier or visit our web site to ensure that you have the current and complete specification for your product before use.

© C&D Technologies (NCL) Limited 2004

NMP 1700.3

No part of this publication may be copied, transmitted or stored in a retrieval system or reproduced in any way including, but not limited to, photography, photocopy, magnetic or other recording means, without prior written permission from C&D Technologies Inc.

Instructions for use are available from: [www.cdpoweronline.com](http://www.cdpoweronline.com)

**C&D Technologies (NCL) Ltd**  
Tanners Drive, Blakelands North  
Milton Keynes MK14 5BU, England  
Tel: +44 (0)1908 615232  
Fax: +44 (0)1908 617545  
email: [info@cdtechno-ncl.com](mailto:info@cdtechno-ncl.com)

[www.cdpoweronline.com](http://www.cdpoweronline.com)

**C&D Technologies Inc.**  
3400 E Britannia Drive, Tucson,  
Arizona 85706, USA  
Tel: +1 (800) 547-2537  
Fax: +1 (520) 741-4598  
email: [sales@cdtechno.com](mailto:sales@cdtechno.com)