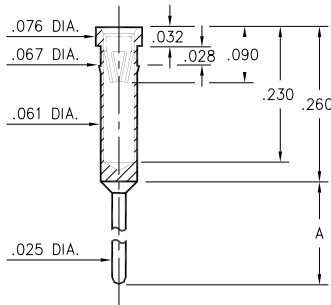


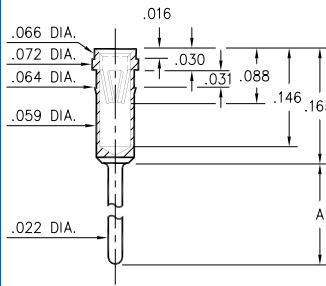
0401/6401



Basic Part Number	Length A
0401-0	.340
6401-0	.540

X401-0-15-XX-47-XX-04-0
Press-fit in .064 mounting hole

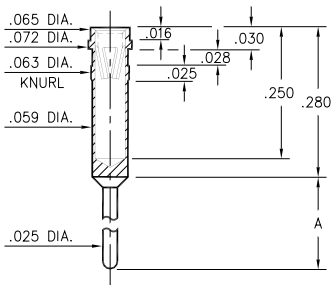
1303/8303



Basic Part Number	Length A
1303-0	.125
8303-0	.800

X303-0-15-XX-47-XX-04-0
Press-fit in .061 mounting hole

4094/4095



Basic Part Number	Length A
4094-0	.260
4095-0	.635

409X-0-15-XX-47-XX-04-0
Press-fit in .061 mounting hole

SPECIFICATIONS

SHELL MATERIAL:
Brass Alloy 360, 1/2 Hard

CONTACT MATERIAL:
Beryllium Copper Alloy 172, HT

DIMENSION IN INCHES
TOLERANCES ON:
LENGTHS: ±.005
DIAMETERS: ±.002
ANGLES: ± 2°

ORDER CODE: XXXX - X - 15 - XX - 47 - XX - XX - 0

BASIC PART #

SPECIFY SHELL FINISH:
01 200µ" TIN/LEAD OVER NICKEL
15 10µ" GOLD OVER NICKEL

SPECIFY CONTACT FINISH:
01 200µ" TIN/LEAD OVER NICKEL
14 10µ" GOLD OVER NICKEL
27 30µ" GOLD OVER NICKEL

CONTACT

#47 CONTACT (DATA ON PAGE 211)