

### Features

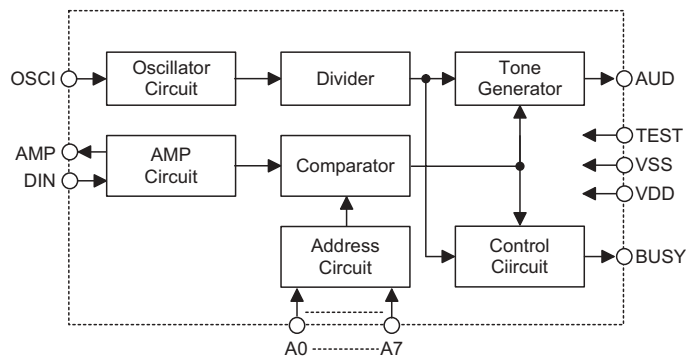
- Operating voltage: 2.4V~5.0V
- Built-in AMP
- 2channel dual tone generator
- One Pin oscillator
- Current type D/A Output
- HT12E encoder pair with
- Tone optional: Ding-Dong/Westminster tunes
- 16-pin DIP package

### General Description

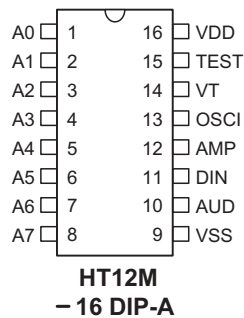
The main application area for the HT12M device is for remote control doorbells working together with HT12E. Containing all the functions of the Holtek HT12D decoder and with an added amplifier and melody generator, the device eliminates the need for customers to incorporate an external op-amp and melody generator IC within their product applications, in the process significantly reducing overall product costs.

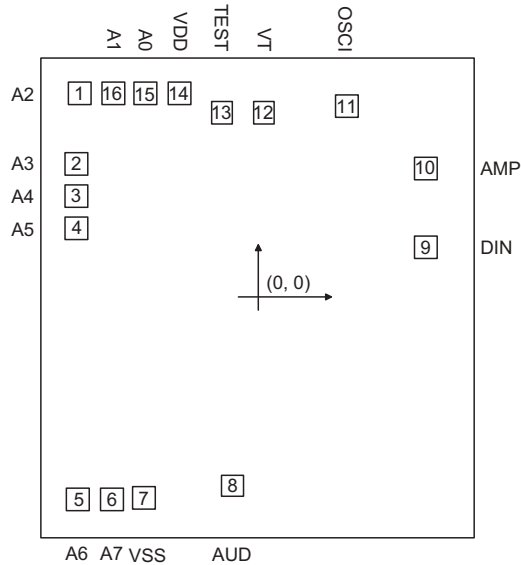
In addition to being fully compatible with the HT12D circuitry, the device includes the following features; internal Inverting AMP with can also operate as standard independent inverter, internal 2 channel tone generator and current type Audio output.

### Block Diagram



### Pin Assignment



**Pad Assignment**


Chip Size: 1530 × 1690 μm

\* The IC substrate should be connected to VSS in the PCB layout artwork.

**Pad Coordinates**

Unit: μm

Pad No.	X	Y
1	-610.00	701.90
2	-622.00	461.60
3	-622.00	350.60
4	-622.00	239.70
5	-616.00	-695.20
6	-502.00	-695.20
7	-388.50	-687.70
8	-87.95	-647.80
9	575.80	172.40
10	575.80	444.20
11	308.30	660.40
12	22.10	635.90
13	-122.40	638.40
14	-270.40	701.90
15	-384.50	701.90
16	-495.50	701.90

**Pin Description**

Pin No.	Pin Name	I/O	Internal Connection	Description
1~8	A0~A7	I	NMOS Open Drain	Address pin.
9	VSS	—	—	Negative power supply, ground
10	AUD	O	PMOS Open Drain	Audio out
11	DIN	I	COMS In	Serial data input
12	AMP	O	CMOS	Amp feed back
13	OSCI	I	—	Oscillator input pin.
14	VT	O	CMOS	Busy, data valid
15	TEST	I	CMOS In	Test pin.
16	VDD	—	—	Positive power supply

**Absolute Maximum Ratings**

Supply Voltage .....	-0.3V to 5.5V	Storage Temperature .....	-50°C to 125°C
Input Voltage .....	V <sub>SS</sub> -0.3V to V <sub>DD</sub> +0.3V	Operating Temperature .....	-25°C to 70°C

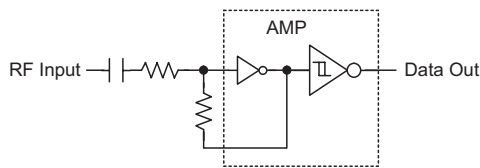
Note: These are stress ratings only. Stresses exceeding the range specified under "Absolute Maximum Ratings" may cause substantial damage to the device. Functional operation of this device at other conditions beyond those listed in the specification is not implied and prolonged exposure to extreme conditions may affect device reliability.

**D.C. Characteristics**

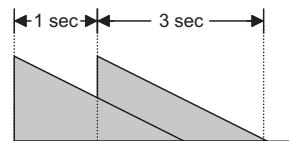
Symbol	Parameter	Test Conditions		Min.	Typ.	Max.	Unit
		V <sub>DD</sub>	Conditions				
V <sub>DD</sub>	Operating Voltage	—	—	2.4	—	5	V
I <sub>STB</sub>	Standby Current	5V	OSC stop amp off	—	0.1	1	μA
		5V	OSC stop amp on	—	10	20	μA
I <sub>DD</sub>	Operating Current	5V	No load f <sub>OSC</sub> =150kHz	—	1.5	2	mA
I <sub>AUD</sub>	AUD output current	5V	Transistor B load	3	5	—	mA
I <sub>VT</sub>	VT Output Source Current	5V	V <sub>OH</sub> =4.5V	-2	-3	—	mA
	VT Output Sink Current	5V	V <sub>OL</sub> =0.5V	2	3	—	mA
V <sub>IH</sub>	High Input Voltage	5V	—	3.5	—	5	V
V <sub>IL</sub>	Low Input Voltage	5V	—	0	—	1	V
f <sub>OSC</sub>	Oscillator Frequency	5V	ROSC=820kΩ	—	190	—	kHz

**Functional Description**

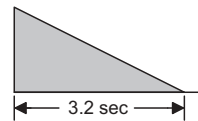
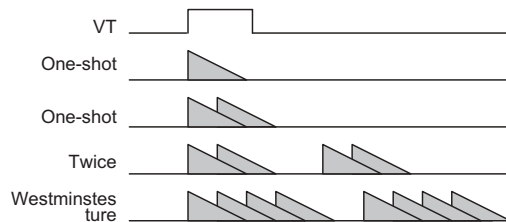
**Built-in inverter amp**



Single tone has 4 second total length, dual tone has 1 second total length.



**Trigger mode**



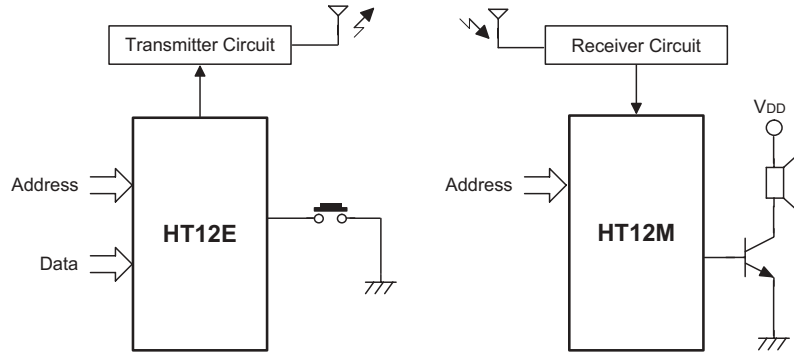
The Ding-Dong sound: is determined by the D8–D11 pins on the HT12E. While the Re-trigger/Non-trigger function is determined by the D11 pin on the HT12E.

	D11	D10	D9	D8	Sound	Notes
1		0	0	0	Me	1
2		0	0	1	Me Do	2
3		0	1	0	Me Do — Me Do	Repeat
4		0	1	1	Me/Do	Single tone
5		1	0	0	Me Do Re So — So Re Me Do	Westminster tune
6		1	0	1	Me/Do Do/So	Double tone
7		1	1	0	So Re Me Do	4
8		1	1	1	Me/Do Do/So — Me/Do Do/So	Dual Tone-repeat

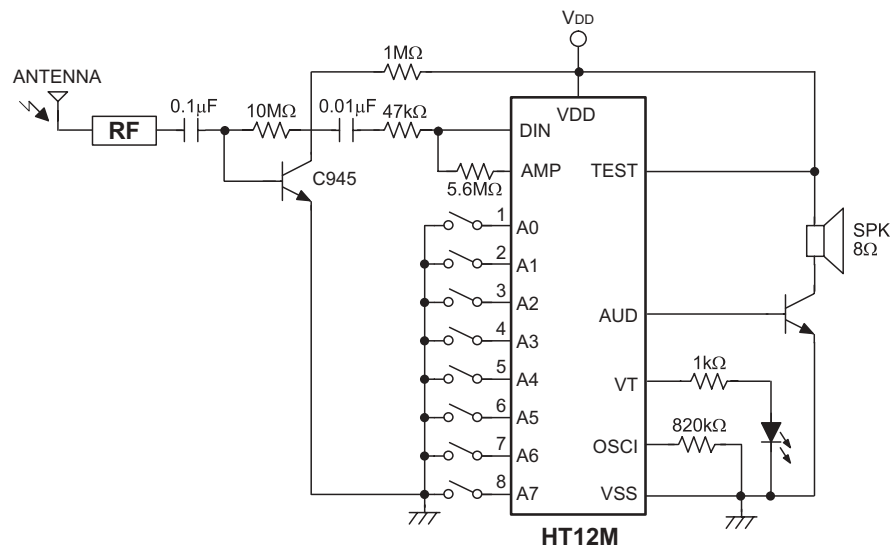
Section time: 0.8secretary × 2 = 1.6sec

**Application Circuit**

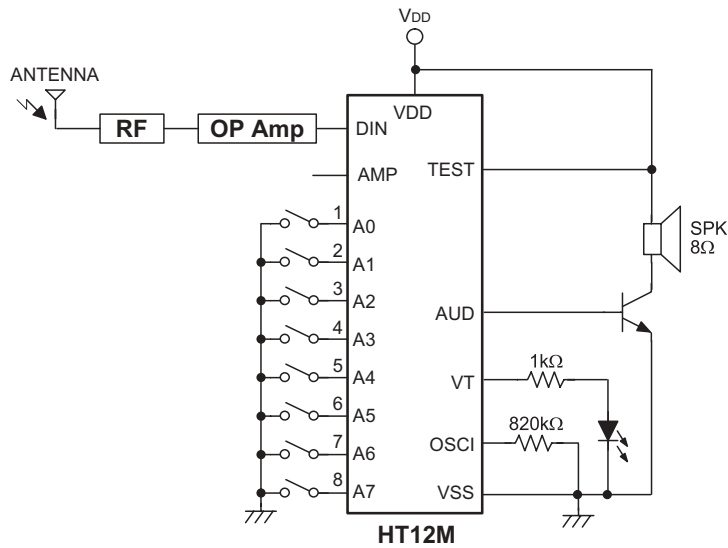
HT12E/HT12M pairing application circuit



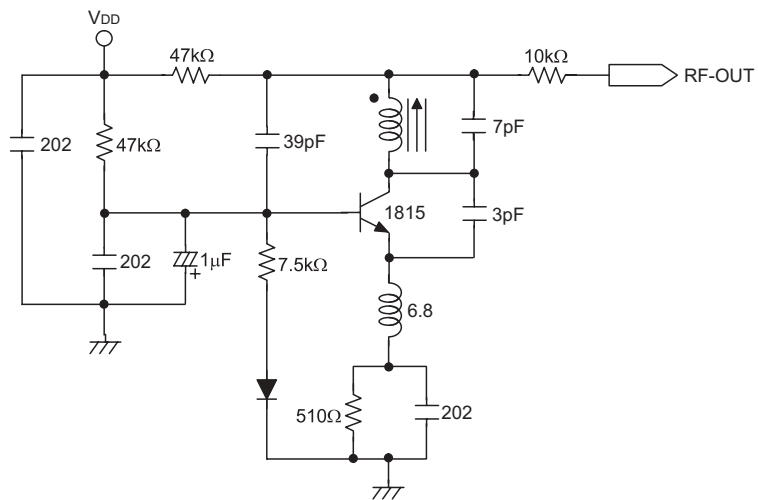
**Using internal OP amplifier circuit**



Using external OP amplifier circuit



Typical RF-Receiver circuit



**Holtek Semiconductor Inc. (Headquarters)**

No.3, Creation Rd. II, Science-based Industrial Park, Hsinchu, Taiwan  
Tel: 886-3-563-1999  
Fax: 886-3-563-1189  
<http://www.holtek.com.tw>

**Holtek Semiconductor Inc. (Sales Office)**

11F, No.576, Sec.7 Chung Hsiao E. Rd., Taipei, Taiwan  
Tel: 886-2-2782-9635  
Fax: 886-2-2782-9636  
Fax: 886-2-2782-7128 (International sales hotline)

**Holtek Semiconductor (Hong Kong) Ltd.**

RM.711, Tower 2, Cheung Sha Wan Plaza, 833 Cheung Sha Wan Rd., Kowloon, Hong Kong  
Tel: 852-2-745-8288  
Fax: 852-2-742-8657

**Holtek Semiconductor (Shanghai) Inc.**

7th Floor, Building 2, No.889, Yi Shan Rd., Shanghai, China  
Tel: 021-6485-5560  
Fax: 021-6485-0313  
<http://www.holtek.com.cn>

**Holmate Technology Corp.**

48531 Warm Springs Boulevard, Suite 413, Fremont, CA 94539  
Tel: 510-252-9880  
Fax: 510-252-9885  
<http://www.holmate.com>

Copyright © 2002 by HOLTEK SEMICONDUCTOR INC.

The information appearing in this Data Sheet is believed to be accurate at the time of publication. However, Holtek assumes no responsibility arising from the use of the specifications described. The applications mentioned herein are used solely for the purpose of illustration and Holtek makes no warranty or representation that such applications will be suitable without further modification, nor recommends the use of its products for application that may present a risk to human life due to malfunction or otherwise. Holtek reserves the right to alter its products without prior notification. For the most up-to-date information, please visit our web site at <http://www.holtek.com.tw>.