

SPECIFICATIONS

Mechanical

Contact Retention Force: 0.51Kg(1.1Lb)min.

Electrical

Voltage Rating: 30V

Current Rating: 0.5A

Contact Resistance: 80mΩ

Dialectical Withstanding Voltage: 500V

Insulation Resistance: 1000MΩ min.

Physical

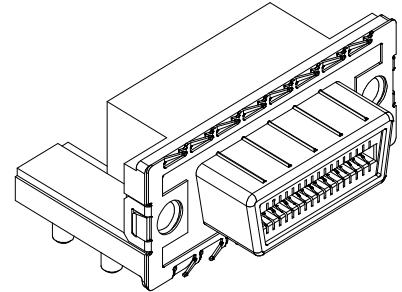
Housing: LCP, UL 94-0, Black

Contact: Phosphor Bronze

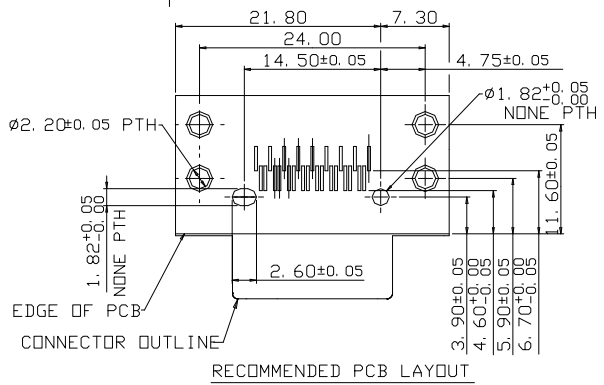
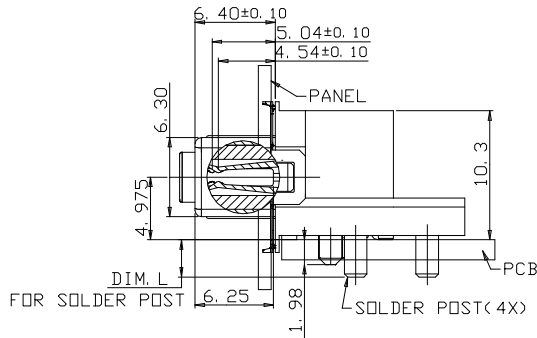
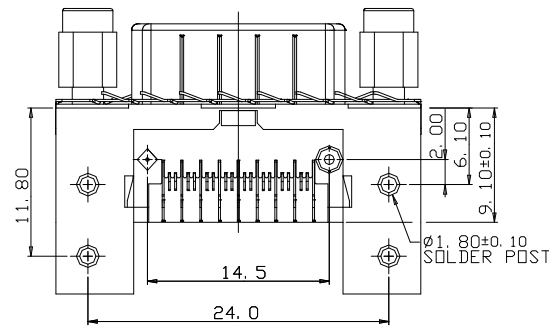
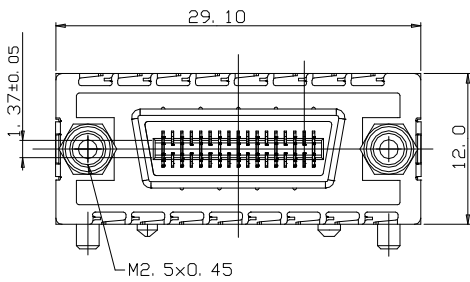
Plating: See "ORDERING INFORMATION"

INFINIBAND CONNECTOR

2U Series,
Infiniband 4X screw type,
0.5mm pitch



DRAWING



NOTES: WITHOUT NPTH HOLE TO BE FOR 2U1**0*-****-*

ORDERING INFORMATION

PRODUCT NO.:

2U1XXXX-2XXX-XX

POSITION
25=25POS.

ALIGNMENT PEG TYPE("A")

0=W/O POST
1=FREE FIT POST
2=PRESS FIT POST

PLATING ON CONTACT AREA

3=30u" GOLD PLATING
5=50u" GOLD PLATING
B=GOLD FLASH OVER 20u" Pd/Ni

LOCKING WITH CABLE
2=SCREW

CODING KEY OPTION
0=NONE (STD)

SPECIFIED CODE

N=STANDRAD TYPE
I=W/O EMI GASKET
H=SPECIAL TYPE FOR HUAWEI-3COM

LEAD FREE CODE
N=NONE LEAD FREE
F=LEAD FREE

PACKAGING
1=TAPE AND REEL

SOLDER POST (DIM.L)

1=3.1mm, FOR 2.4mm THICKNESS PCB(2 SOLDER POST)
2=2.3mm, FOR 1.6mm THICKNESS PCB(2 SOLDER POST)
3=4.8mm, FOR 4.0mm THICKNESS PCB(2 SOLDER POST)
4=3.1mm, FOR 2.4mm THICKNESS PCB(4 SOLDER POST)
5=2.3mm, FOR 1.6mm THICKNESS PCB(4 SOLDER POST)
6=4.8mm, FOR 4.0mm THICKNESS PCB(4 SOLDER POST)