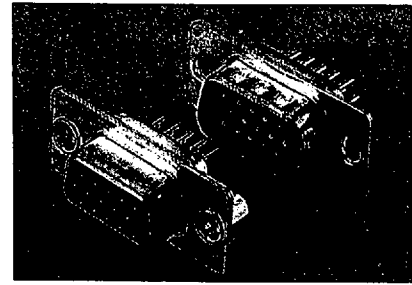


# D-SUB CONNECTOR

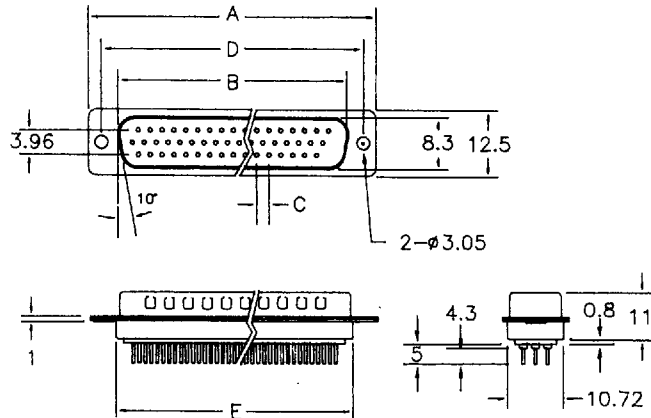
## H.D. DIP STRAIGHT TYPE



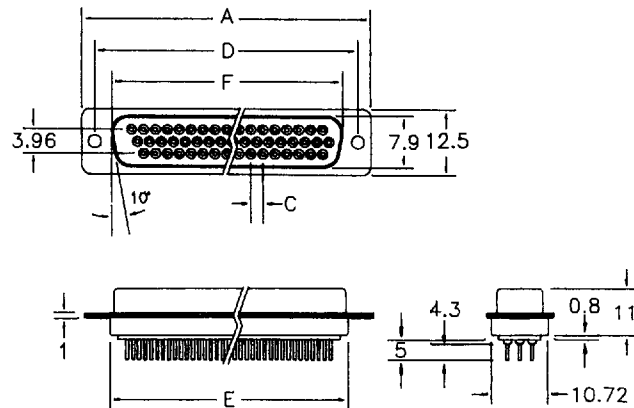
### SPECIFICATION

- \* Current Rating:  
3 A
- \* Withstanding Voltage:  
1000 VAC ( 1 min.)
- \* Insulation Resistance:  
1000 MΩ min.
- \* Contact Resistance:  
30 mΩ max.
- \* Operating Temperature:  
-40°C to +85°C

### MALE



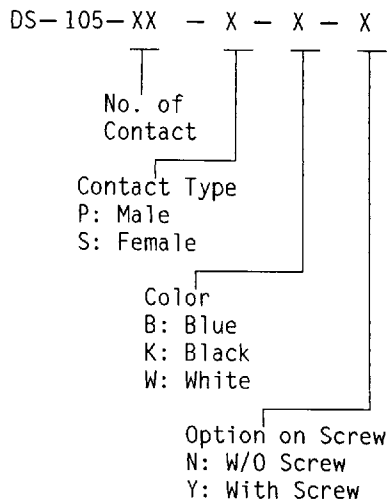
### FEMALE



### MATERIAL

- \* Contact: Brass, Gold Plated
- \* Insulator: PBT & 30% G. F.
- \* Shell: Stell, Tin Plated

### ORDER INFORMATION



POS	A	B	C	D	E	F
15	30.80	16.90	2.29	24.99	19.30	16.30
26	39.10	25.30	2.29	33.32	27.50	24.70
44	53.00	39.00	2.29	47.04	41.30	38.40
62	69.30	55.40	2.41	63.50	57.70	54.80
78	66.90	52.86	2.41	61.11	55.30	52.34

Specifications are subject to change without notice