

October 3, 2000

ABSOLUTE MAXIMUM RATINGS

Parameter	Symbol	Maximum	Units
Input Supply Voltage	V_{IN}	7	V
Power Dissipation	P_D	Internally Limited	W
Thermal Resistance Junction to Case TO-220 TO-263	θ_{JC}	3 3	°C/W
Thermal Resistance Junction to Ambient TO-220 TO-263	θ_{JA}	50 60	°C/W
Operating Ambient Temperature Range EZ1086BC, EZ1086C EZ1086I	T_A	0 to 70 -40 to 85	°C
Operating Junction Temperature Range EZ1086BC, EZ1086C EZ1086I	T_J	0 to 125 -40 to 125	°C
Storage Temperature Range	T_{STG}	-65 to 150	°C
Lead Temperature (Soldering) 10 Sec	T_{LEAD}	300	°C
ESD Rating (Human body model)	ESD	2	kV

ELECTRICAL CHARACTERISTICS

Unless otherwise specified: Adj V_{IN} = 2.75V to 7.0V and Adj I_O = 10mA to 1.5A; Fixed V_{IN} = 4.75 to 7.0V and Fixed I_O = 0 mA to 1.5A. Values in **bold** apply over full operating ambient temperature range.

Parameter	Symbol	V_{IN}	I_O	Min	Typ	Max	Units
Output Voltage ⁽¹⁾ EZ1086C-X.X	V_O	5V	0mA	0.99 V_O 0.98 V_O	V_O	1.01 V_O 1.02 V_O	V
Reference Voltage ⁽¹⁾ EZ1086C, EZ1086I	V_{REF}	5V	10mA	1.238 1.225	1.250	1.262 1.275	V
Reference Voltage ⁽¹⁾ EZ1086BC	V_{REF}	5V	10mA	1.233 1.220	1.250	1.267 1.280	V
Line Regulation ⁽¹⁾	$REG_{(LINE)}$		10mA		0.045	0.2	%
Load Regulation ⁽¹⁾	$REG_{(LOAD)}$	5V			0.15	0.4	%
Dropout Voltage EZ1086C, EZ1086C-X.X ⁽²⁾ EZ1086BC ⁽²⁾ EZ1086I ⁽²⁾	V_D		1.5A		1.20 1.20 1.20	1.30 1.45 1.40	V
Current Limit	I_{CL}			1.5	2.0		A
Quiescent Current Fixed Voltage Version	I_Q	5V			10	14	mA
Temperature Coefficient	T_C				0.005		%/°C

October 3, 2000

ELECTRICAL CHARACTERISTICS (Cont.)

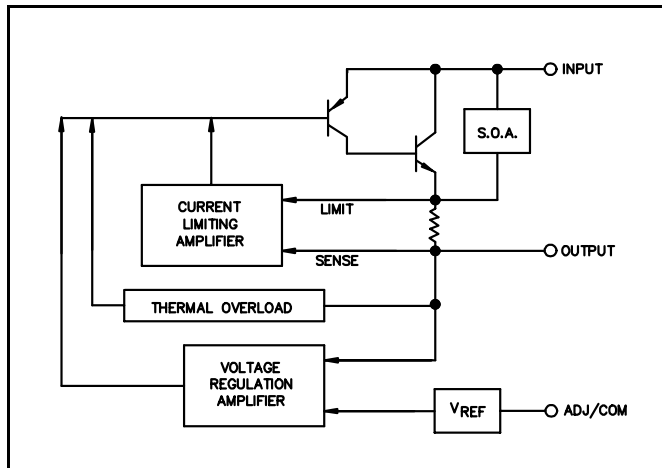
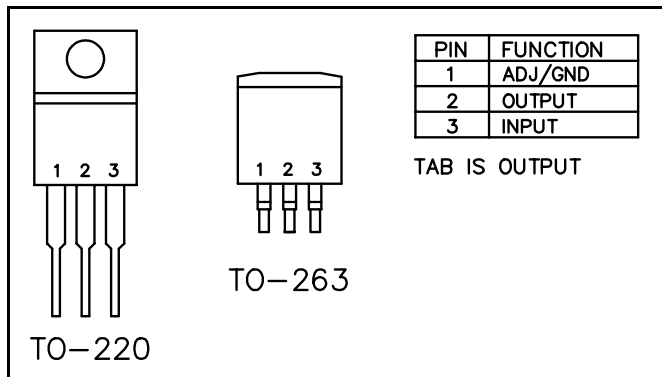
Unless otherwise specified: Adj $V_{IN} = 2.75V$ to $7.0V$ and Adj $I_O = 10mA$ to $1.5A$; Fixed $V_{IN} = 4.75$ to $7.0V$ and Fixed $I_O = 0$ mA to $1.5A$.
 Values in **bold** apply over full operating ambient temperature range.

Parameter	Symbol	V_{IN}	I_O	Min	Typ	Max	Units
Adjust Pin Current	I_{ADJ}				55	90	μA
Adjust Pin Current Change	ΔI_{ADJ}				0.2	5	μA
Temperature Stability	T_S	5V	0.5A		0.5		%
Minimum Load Current Adj. Voltage Versions	I_O	5V			5	10	mA
RMS Output Noise ⁽³⁾	V_N				0.003		% V_O
Ripple Rejection Ratio ⁽⁴⁾	R_A	5V	1.5A	60	72		dB

NOTES:

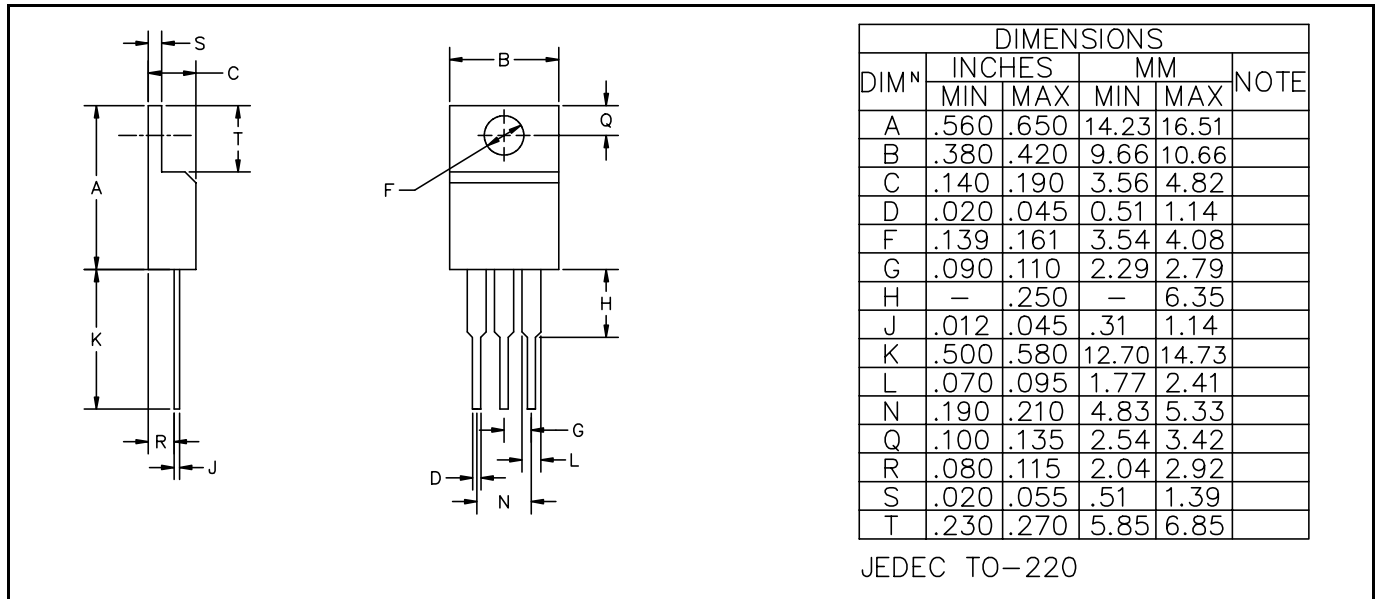
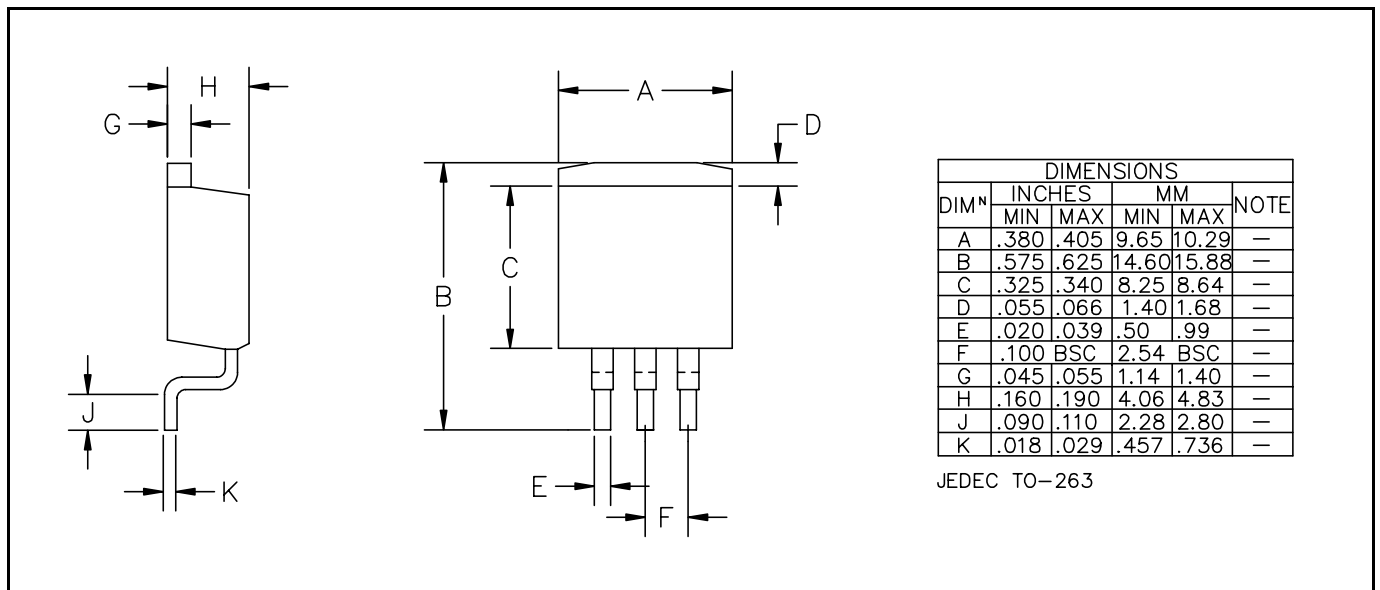
- (1) Low duty cycle pulse testing with Kelvin connections required.
- (2) $\Delta V_{OUT}, \Delta V_{REF} = 1\%$
- (3) Bandwidth of 10 Hz to 10 kHz.
- (4) 120 Hz input ripple (C_{ADJ} for ADJ = $25\mu F$).
- (5) Over Temp. (O.T.) = over specified operating junction temperature range.

October 3, 2000

BLOCK DIAGRAM

PIN CONFIGURATIONS

PIN DESCRIPTIONS

Pin	Pin Name	Pin Function
1	ADJUST /	This pin is the negative side of the reference voltage for adjustable devices. Transient response can be improved by adding a small bypass capacitor from the adjust pin to ground.
	GROUND	This pin is the bottom end of the internal resistor feedback chain for fixed output voltage parts, and should be connected to ground.
2	OUTPUT	This is the power output of the device, and is electrically connected to the TAB.
3	INPUT	This is the input supply pin for both the control circuitry and the pass device.

October 3, 2000

DEVICE OUTLINE - TO-220

DEVICE OUTLINE - TO-263


ECN00-1352