

FEATURES

- Radial Format
- -40°C to 85°C Operating Temp
- Up to 13A I_{DC}
- 10µH to 22mH
- Low DC Resistance
- Fully Tinned Leads
- PCB Mounting Hole
- Low Temperature Dependence
- MIL-I-23053/5 Class I&II Slewing
- Custom Parts Available

DESCRIPTION

The 1400 Series is suitable for many power supply and other general purpose filtering applications. The use of a non-magnetic screw will ensure mechanical stability.

SELECTION GUIDE

| Order Code | Inductance (±10% at 1kHz) µH | RDC (max.) Ω | IDC (cont.) A | Temp. rise (at IDC) °C | Nominal Q at f kHz | Nominal Self Resonant Frequency MHz | Mechanical Dimensions | | | | Footprint | | | |
|------------|------------------------------------|-----------------|------------------|------------------------------|-----------------------|---|-----------------------|------|------|------|-----------|------|------|-----|
| | | | | | | | a | b | c | d | Øe | f | Øg | |
| 1410313 | 10 | 0.007 | 13 | 20 | 54 | 50 | 20.7 | 27.0 | 24.4 | 14.0 | 1.30 | 4.5* | 23.9 | 2.6 |
| 1415312 | 15 | 0.009 | 12 | 25 | 42 | 50 | 12.7 | 27.0 | 24.4 | 14.0 | 1.30 | 4.5* | 23.9 | 2.6 |
| 1422311 | 22 | 0.011 | 11 | 27 | 64 | 100 | 9.3 | 27.0 | 24.4 | 14.0 | 1.30 | 4.5* | 23.9 | 2.6 |
| 1433393 | 33 | 0.015 | 9.3 | 25 | 27 | 50 | 9.1 | 27.0 | 24.4 | 14.0 | 1.30 | 4.5* | 23.9 | 2.6 |
| 1447383 | 47 | 0.019 | 8.3 | 25 | 40 | 100 | 6.0 | 27.0 | 24.4 | 18.5 | 1.30 | 4.5* | 23.9 | 2.6 |
| 1447385 | 47 | 0.021 | 8.5 | 26 | 33 | 100 | 6.7 | 26.8 | 24.4 | 14.0 | 1.20 | 4.5* | 23.8 | 2.4 |
| 1468362 | 68 | 0.032 | 6.2 | 27 | 32 | 100 | 5.3 | 26.5 | 24.4 | 14.0 | 1.08 | 4.5* | 23.7 | 2.1 |
| 1468373 | 68 | 0.022 | 7.3 | 27 | 45 | 100 | 5.3 | 27.0 | 24.4 | 18.5 | 1.30 | 4.5* | 23.9 | 2.6 |
| 1410454 | 100 | 0.042 | 5.4 | 27 | 24 | 100 | 4.6 | 26.4 | 24.4 | 14.0 | 1.02 | 4.5* | 23.6 | 2.0 |
| 1410460 | 100 | 0.033 | 6.0 | 29 | 37 | 100 | 3.9 | 26.8 | 24.4 | 18.5 | 1.20 | 4.5* | 23.8 | 2.4 |
| 1410478 | 100 | 0.040 | 7.8 | 28 | 34 | 50 | 3.3 | 32.4 | 29.8 | 21.8 | 1.30 | 5.1 | 29.3 | 2.6 |
| 1415440 | 150 | 0.069 | 4.0 | 26 | 24 | 50 | 3.4 | 26.2 | 24.4 | 14.0 | 0.90 | 4.5* | 23.5 | 1.8 |
| 1415449 | 150 | 0.051 | 4.9 | 27 | 34 | 50 | 2.9 | 26.4 | 24.4 | 18.5 | 1.02 | 4.5* | 23.6 | 2.0 |
| 1415465 | 150 | 0.042 | 6.5 | 29 | 46 | 100 | 2.4 | 32.2 | 29.8 | 21.8 | 1.20 | 5.1 | 29.2 | 2.4 |
| 1422435 | 220 | 0.096 | 3.5 | 29 | 22 | 50 | 2.8 | 26.1 | 24.4 | 14.0 | 0.85 | 4.5* | 23.5 | 1.7 |
| 1422441 | 220 | 0.073 | 4.1 | 25 | 33 | 100 | 2.3 | 26.3 | 24.4 | 18.5 | 0.97 | 4.5* | 23.6 | 1.9 |
| 1422455 | 220 | 0.062 | 5.5 | 27 | 30 | 50 | 2.2 | 32.1 | 29.8 | 21.8 | 1.14 | 5.1 | 29.1 | 2.2 |
| 1430430 | 300 | 0.140 | 3.0 | 23 | 26 | 50 | 2.6 | 25.9 | 24.4 | 14.0 | 0.75 | 4.5* | 23.4 | 1.5 |
| 1430433 | 300 | 0.100 | 3.5 | 25 | 37 | 50 | 2.2 | 26.2 | 24.4 | 18.5 | 0.90 | 4.5* | 23.5 | 1.8 |
| 1430450 | 300 | 0.080 | 5.0 | 29 | 28 | 50 | 1.7 | 31.8 | 29.8 | 21.8 | 1.02 | 5.1 | 29.0 | 2.0 |
| 1433428 | 330 | 0.150 | 2.8 | 24 | 22 | 50 | 2.5 | 25.9 | 24.4 | 14.0 | 0.76 | 4.5* | 23.4 | 1.5 |
| 1433433 | 330 | 0.107 | 3.3 | 25 | 29 | 50 | 2.0 | 26.2 | 24.4 | 18.5 | 0.90 | 4.5* | 23.5 | 1.8 |
| 1433445 | 330 | 0.091 | 4.5 | 29 | 25 | 50 | 1.6 | 31.8 | 29.8 | 21.8 | 1.02 | 5.1 | 29.0 | 2.0 |
| 1447423 | 470 | 0.222 | 2.3 | 28 | 34 | 50 | 2.0 | 25.7 | 24.4 | 14.0 | 0.67 | 4.5* | 23.3 | 1.3 |
| 1447427 | 470 | 0.149 | 2.7 | 24 | 25 | 50 | 1.6 | 26.1 | 24.4 | 18.5 | 0.85 | 4.5* | 23.5 | 1.7 |
| 1447440 | 470 | 0.125 | 4.0 | 29 | 24 | 50 | 1.4 | 31.7 | 29.8 | 21.8 | 0.97 | 5.1 | 29.0 | 1.9 |
| 1468420 | 680 | 0.276 | 2.0 | 25 | 23 | 50 | 1.6 | 25.7 | 24.4 | 14.0 | 0.67 | 4.5* | 23.3 | 1.3 |
| 1468422 | 680 | 0.226 | 2.2 | 28 | 28 | 50 | 1.3 | 25.9 | 24.4 | 18.5 | 0.75 | 4.5* | 23.4 | 1.5 |
| 1468431 | 680 | 0.173 | 3.1 | 27 | 60 | 10 | 1.0 | 31.6 | 29.8 | 21.8 | 0.90 | 5.1 | 28.9 | 1.8 |
| 1410516 | 1.0mH | 0.419 | 1.6 | 24 | 30 | 50 | 1.4 | 25.6 | 24.4 | 14.0 | 0.60 | 4.5* | 23.2 | 1.2 |
| 1410517 | 1.0mH | 0.336 | 1.7 | 26 | 35 | 50 | 1.2 | 25.7 | 24.4 | 18.5 | 0.67 | 4.5* | 23.3 | 1.3 |
| 1410524 | 1.0mH | 0.277 | 2.4 | 28 | 33 | 50 | 1.0 | 31.4 | 29.8 | 21.8 | 0.79 | 5.1 | 28.8 | 1.5 |
| 1415513 | 1.5mH | 0.630 | 1.3 | 27 | 34 | 50 | 1.0 | 25.5 | 24.4 | 14.0 | 0.54 | 4.5* | 23.1 | 1.0 |
| 1415514 | 1.5mH | 0.518 | 1.4 | 26 | 47 | 50 | 0.8 | 25.6 | 24.4 | 18.5 | 0.60 | 4.5* | 23.2 | 1.2 |
| 1415517 | 1.5mH | 0.374 | 1.7 | 26 | 28 | 50 | 0.7 | 31.3 | 29.8 | 21.8 | 0.75 | 5.1 | 28.8 | 1.5 |
| 1422509 | 2.2mH | 0.916 | 0.9 | 25 | 43 | 50 | 0.9 | 25.3 | 24.4 | 14.0 | 0.48 | 4.5* | 23.1 | 0.9 |
| 1422512 | 2.2mH | 0.649 | 1.2 | 25 | 33 | 50 | 0.7 | 25.6 | 24.4 | 18.5 | 0.60 | 4.5* | 23.2 | 1.2 |
| 1422514 | 2.2mH | 0.622 | 1.4 | 27 | 33 | 50 | 0.6 | 31.1 | 29.8 | 21.8 | 0.67 | 5.1 | 28.7 | 1.3 |
| 1433507 | 3.3mH | 1.428 | 0.7 | 22 | 45 | 50 | 0.8 | 25.2 | 24.4 | 14.0 | 0.43 | 4.5* | 23.0 | 0.8 |
| 1433510 | 3.3mH | 1.992 | 1.0 | 26 | 20 | 50 | 0.7 | 25.5 | 24.4 | 18.5 | 0.54 | 4.5* | 23.1 | 1.0 |
| 1433512 | 3.3mH | 0.861 | 1.2 | 26 | 20 | 50 | 0.5 | 31.0 | 29.8 | 21.8 | 0.60 | 5.1 | 28.6 | 1.2 |

* The drilled hole for these devices have a 6.10Ø x 2.40 countersink

1400 SERIES

Bobbin Type Inductors

SELECTION GUIDE

| Order Code | Inductance ($\pm 10\%$ at 1kHz) | RDC (max.) | IDC (cont.) | Temp. rise (at IDC) | Nominal Q at f kHz | Nominal Self Resonant Frequency | Mechanical Dimensions | | | | | Footprint | | |
|------------|-------------------------------------|------------|-------------|------------------------|-----------------------|------------------------------------|-----------------------|------|------|------|-----------------|-----------|-----------------|-----|
| | μH | Ω | A | $^{\circ}\text{C}$ | | | a | b | c | d | $\varnothing e$ | f | $\varnothing g$ | |
| 1447506 | 4.7mH | 2.200 | 0.6 | 27 | 60 | 50 | 0.6 | 25.2 | 24.4 | 14.0 | 0.39 | 4.5* | 23.0 | 0.7 |
| 1447508 | 4.7mH | 1.436 | 0.8 | 26 | 65 | 50 | 0.5 | 25.3 | 24.4 | 18.5 | 0.48 | 4.5* | 23.1 | 0.9 |
| 1447509 | 4.7mH | 1.250 | 0.9 | 28 | 57 | 10 | 0.5 | 30.9 | 29.8 | 21.8 | 0.54 | 5.1 | 28.5 | 1.0 |
| 1468505 | 6.8mH | 2.810 | 0.5 | 24 | 50 | 50 | 0.5 | 25.2 | 24.4 | 14.0 | 0.39 | 4.5* | 23.0 | 0.7 |
| 1468507 | 6.8mH | 2.214 | 0.7 | 25 | 47 | 50 | 0.4 | 25.2 | 24.4 | 18.5 | 0.43 | 4.5* | 23.0 | 0.8 |
| 1468508 | 6.8mH | 1.884 | 0.8 | 26 | 30 | 50 | 0.4 | 30.7 | 29.8 | 21.8 | 0.48 | 5.1 | 28.5 | 0.9 |
| 1410604 | 10mH | 4.340 | 0.4 | 22 | 51 | 50 | 0.4 | 25.1 | 24.4 | 14.0 | 0.34 | 4.5* | 22.9 | 0.6 |
| 1410605 | 10mH | 3.394 | 0.5 | 24 | 48 | 50 | 0.3 | 25.2 | 24.4 | 18.5 | 0.39 | 4.5* | 23.0 | 0.7 |
| 1410606 | 10mH | 2.294 | 0.6 | 25 | 48 | 50 | 0.2 | 30.9 | 29.8 | 21.8 | 0.54 | 5.1 | 28.5 | 1.0 |
| 1415604 | 15mH | 4.912 | 0.4 | 25 | 61 | 10 | 0.2 | 25.1 | 24.4 | 18.5 | 0.34 | 4.5* | 22.9 | 0.6 |
| 1415605 | 15mH | 3.740 | 0.5 | 21 | 55 | 10 | 0.2 | 30.6 | 29.8 | 21.8 | 0.43 | 5.1 | 28.4 | 0.8 |
| 1422604 | 22mH | 6.926 | 0.4 | 26 | 30 | 50 | 0.2 | 30.5 | 29.8 | 21.8 | 0.34 | 5.1 | 28.3 | 0.6 |

* The drilled hole for these devices have a $6.10\varnothing \times 2.40$ countersink

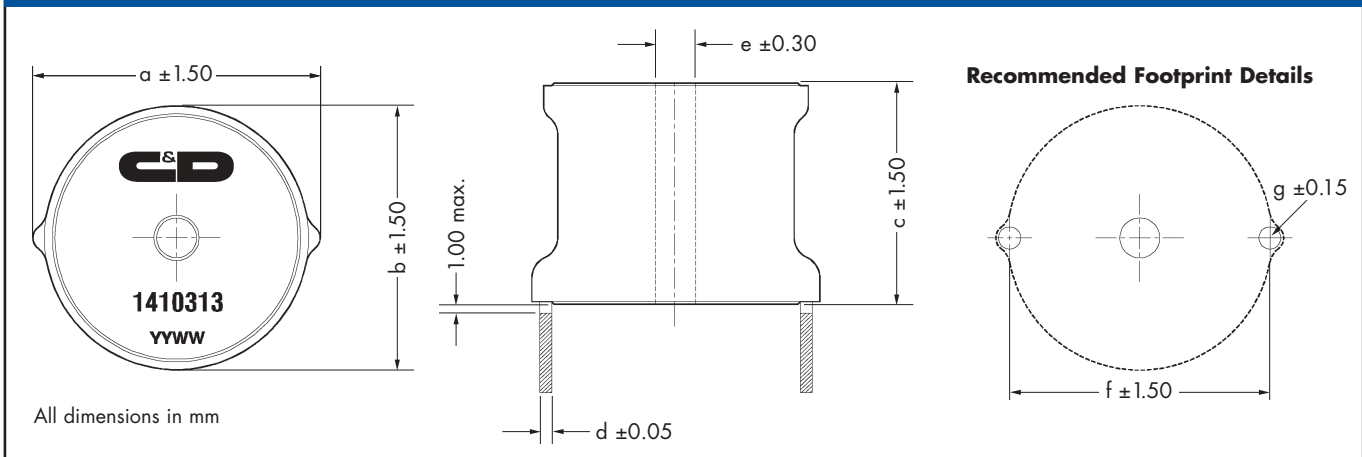
TYPICAL CORE CHARACTERISTICS

| Inductance Temperature Coefficient | Resistance Temperature Coefficient | Curie Temperature T_C | Saturation Flux B_{SAT} |
|--|--|-------------------------------|---------------------------------|
| 215ppm | 4100ppm | 130 $^{\circ}\text{C}$ | 240mT |

ABSOLUTE MAXIMUM RATINGS

| | |
|--------------------------------------|--|
| Operating free air temperature range | -40 $^{\circ}\text{C}$ to 85 $^{\circ}\text{C}$ |
| Storage temperature range | -55 $^{\circ}\text{C}$ to 125 $^{\circ}\text{C}$ |

MECHANICAL DIMENSIONS



C&D Technologies (NCL) Limited reserve the right to alter or improve the specification, internal design or manufacturing process at any time, without notice. Please check with your supplier or visit our web site to ensure that you have the current and complete specification for your product before use.

© C&D Technologies (NCL) Limited 2003

NMP 1400.5

No part of this publication may be copied, transmitted or stored in a retrieval system or reproduced in any way including, but not limited to, photography, photocopy, magnetic or other recording means, without prior written permission from C&D Technologies (NCL) Limited.

Instructions for use are available from www.cdpoweronline.com

C&D Technologies (NCL) Ltd
Tanners Drive, Blakelands North
Milton Keynes MK14 5BU, England
Tel: +44 (0)1908 615232
Fax: +44 (0)1908 617545
email: info@cdtechno-ncl.com

www.cdpoweronline.com

C&D Technologies Inc.
3400 E Britannia Drive, Tucson,
Arizona 85706, USA
Tel: +1 (800) 547-2537
Fax: +1 (520) 741-4598
email: sales@cdtechno.com

C&D TECHNOLOGIES
Power Solutions