

SPECIFICATIONS

Audio Jack Connector

Mechanical

Connector Mating Force: 0.4~3.0kgf (Initial);0.3~3.0kgf (After Life Test).
Connector Un mating Force: 0.4~3.0kgf (Initial);0.3~3.0kgf (After Life Test).
Durability: 1500 Cycles.

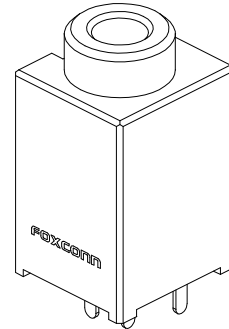
Single HD Jack Series
Vertical Type
No Pitch
5 Pos.

Electrical

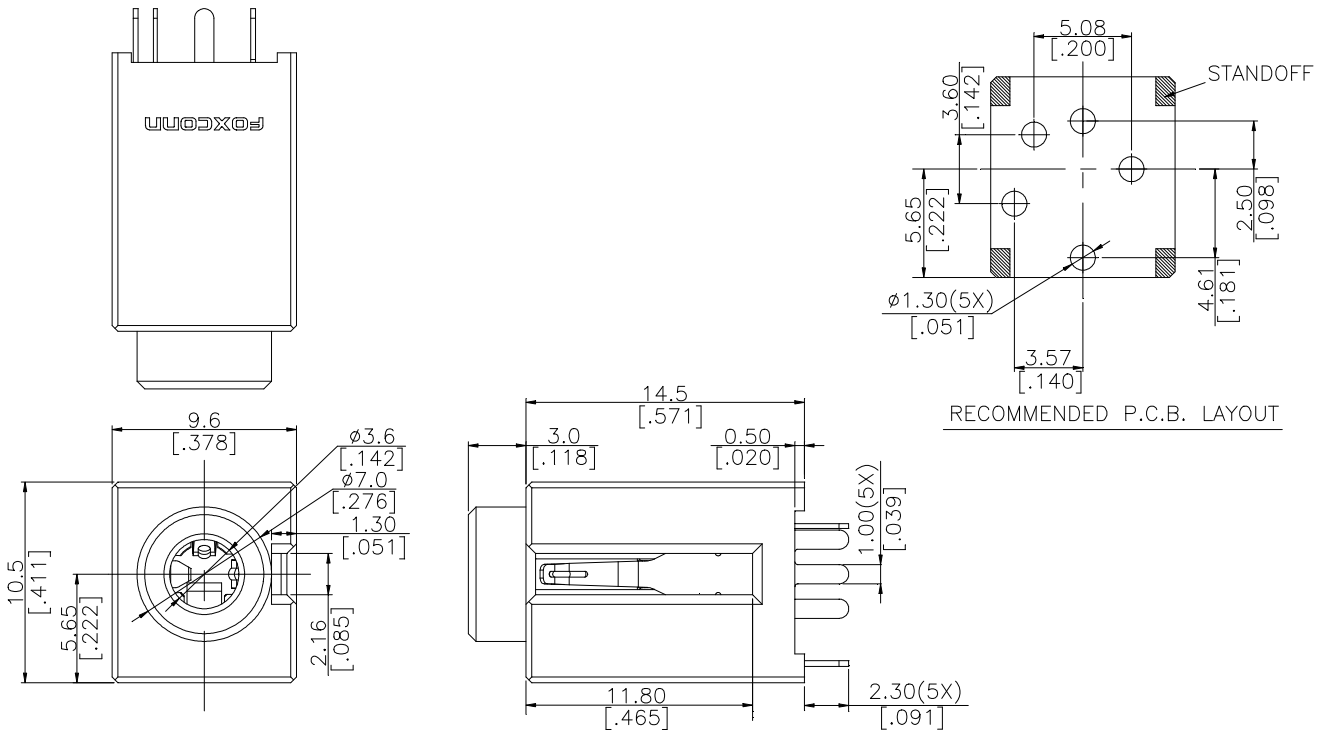
Current Rating: 1A.
Contact Resistance: 50mΩ MAX (Initial);100mΩ MAX (After Life Test) .
Dielectric Withstanding Voltage: 500V AC/min.
Insulation Resistance: 100MΩ min.

Physical

Housing: Thermoplastic, UL 94V-0 rated.
Contact: Copper alloy.
Plating: See "ORDERING INFORMATION".
Operating Temperature: -25°C to +70°C.

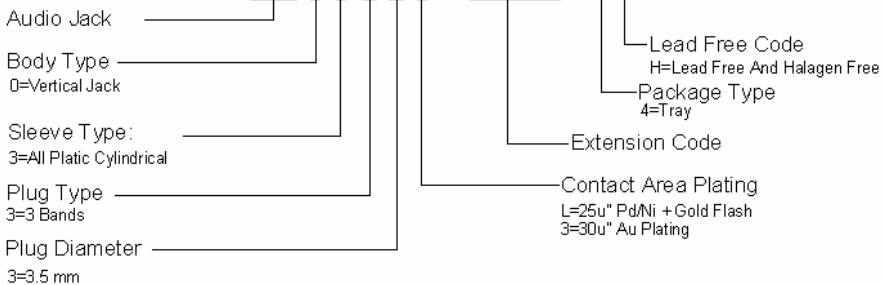


DRAWING



ORDERING INFORMATION

PRODUCT NO.: JA 0 3 3 3 * - M 1 * 2 - 4 H



PART NO.	COLOR
JA0333*-M142-4H	LIME
JA0333*-M132-4H	LIGHT BLUE
JA0333*-M112-4H	PINK
JA0333*-M102-4H	BLACK