

Tri-State Enable/Disable 3.3V Oscillator



Model: F5C-2E3LF Series

RoHS Compliant / Pb Free

Rev. 10/24/2011

http://www.foxonline.com/need_a_sample.htm

Need a Sample®

FEATURES

- 3.3V Operation
- HCMOS Output
- Tri-State Enable/Disable
- 14-Pin DIP

OPTIONS

- 8-Pin DIP Available (H5C-2E3LF)

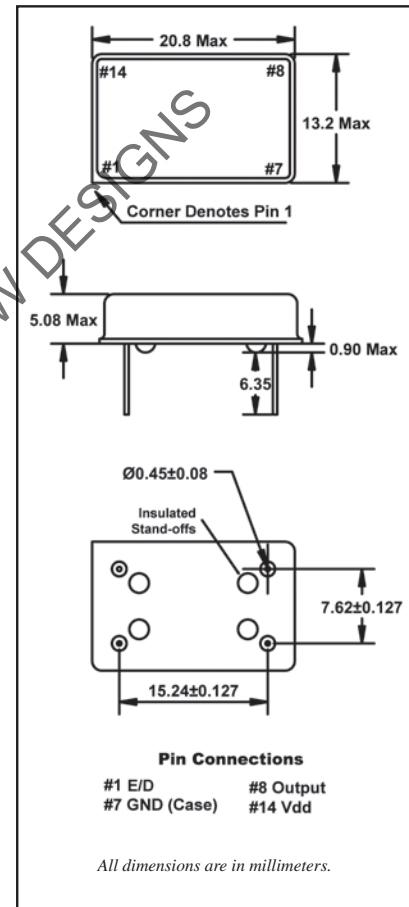
PART NUMBER SELECTION Learn More - Internet Required				
Part Number	Model Number	Frequency Stability ¹	Operating Temperature(°C)	Frequency Range (MHz)
148LF-Freq-xxxxx	F5C-2E3LF	±100PPM	0 ~ +70	1.500~59.000
355LF-Freq-xxxxx	F5C-2E3RLF	±100PPM	-40 ~ +85	1.500~59.000
328LF-Freq-xxxxx	F6C-2E3LF	±50PPM	0 ~ +70	1.500~59.000

ELECTRICAL CHARACTERISTICS	
PARAMETERS	MAX (unless otherwise noted)
Frequency Range (Fo)	1.500 ~ 59.000 MHz
Storage Temperature Range (TSTG)	-55°C ~ +125°C
Supply Voltage (VDD)	3.3V ± 10%
Input Current (IDD)	
1.500 ~ 23.999 MHz	15mA
24.000 ~ 49.999 MHz	20mA
50.000 ~ 59.999 MHz	40mA
Output Symmetry (50% VDD)	40% ~ 60%
Rise Time (10% ~ 90% VDD) (TR)	10 nS
Fall Time (90% ~ 10% VDD) (TF)	10 nS
Output Voltage (VOL)	10% VDD
(VOH)	90% VDD Min
Output Current (IOL)	8mA Min
(IOH)	-8mA Min
Output Load (HCMOS)	15pF
Start-up Time (Ts)	10mS
Output Enable/Disable Time ²	100nS

¹ Inclusive of 25°C tolerance, operating temperature range, input voltage change, load change, aging, shock, and vibration.

² An internal pullup resistor from pin 1 to VDD allows active output if pin 1 is left open.

All specifications subject to change without notice.



ENABLE / DISABLE FUNCTION	
INH (Pin 1)	OUTPUT (Pin 8)
OPEN ²	ACTIVE
'1' Level VIH ≥ 2.2 V	ACTIVE
'0' Level VIL ≤ 0.8 V	High Z