



# Low Power Notebook LCD Panel EMI Reduction IC

## Features

- FCC approved method of EMI attenuation
- Generates a low EMI spread spectrum of the input clock frequency
- Optimized for frequency range: P1727X: 20MHz to 40MHz
- Internal loop filter minimizes external components and board space
- 8 different frequency deviations ranging from +/- 0.625% to -3.50%
- Low inherent Cycle-to-cycle jitter
- 3.3V Operating Voltage
- Supports notebook VGA and other LCD timing controller applications
- Available in 8 pin SOIC and TSSOP
- Qualified for Industrial Temp Spec. (-40°C to +85°C)

## Product Description

The P1727 is a versatile spread spectrum frequency modulator designed specifically for a wide range of clock frequencies. The P1727 reduces electromagnetic interference (EMI) at the clock source, allowing system

wide reduction of EMI of down stream (clock and data dependent signals). The P1727 allows significant system cost savings by reducing the number of circuit board layers and shielding that are traditionally required to pass EMI regulations.

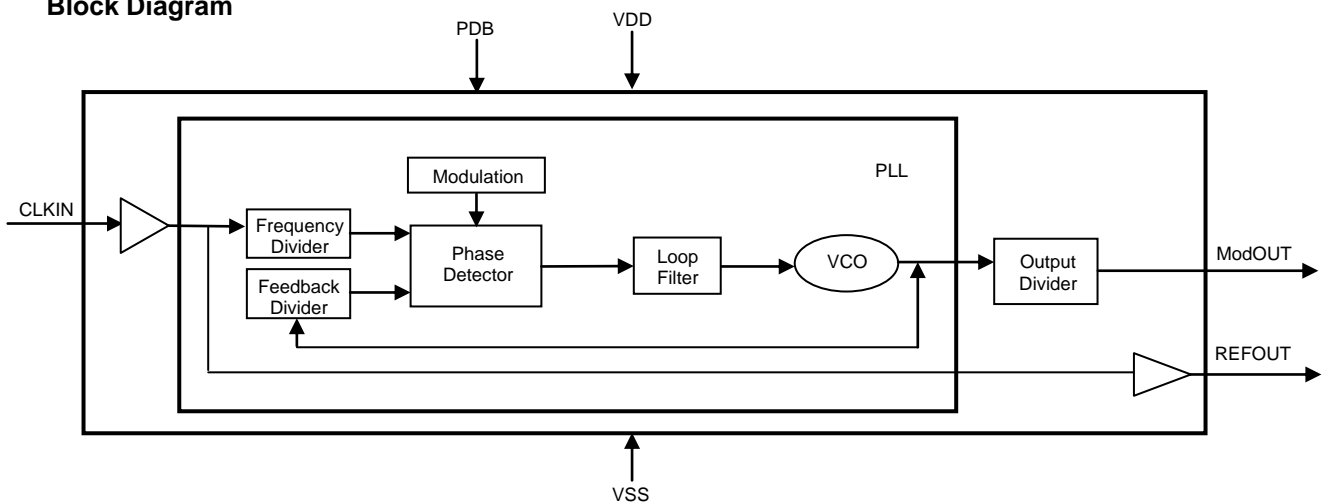
The P1727 modulates the output of a single PLL in order to “spread” the bandwidth of a synthesized clock, thereby decreasing the peak amplitudes of its harmonics. This result in significantly lower system EMI compared to the typical narrow band signal produced by oscillators and most clock generators. Lowering EMI by increasing a signal’s bandwidth is called spread spectrum clock generation.

The P1727 uses the most efficient and optimized modulation profile approved by the FCC and is implemented by using a proprietary all-digital method.

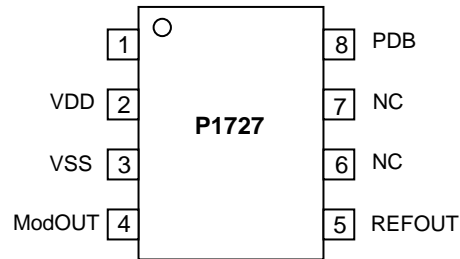
## Applications

The P1727 is targeted towards notebook LCD displays, other displays using an LVDS interface, PC peripheral devices and embedded systems.

## Block Diagram



## Pin Configuration



**Table 1 – Power Down Selection**

PDB	Spread Spectrum	ModOUT	PLL	Mode
0	N/A	Disabled	Disabled	Power Down
1	ON	Normal	Normal	Normal

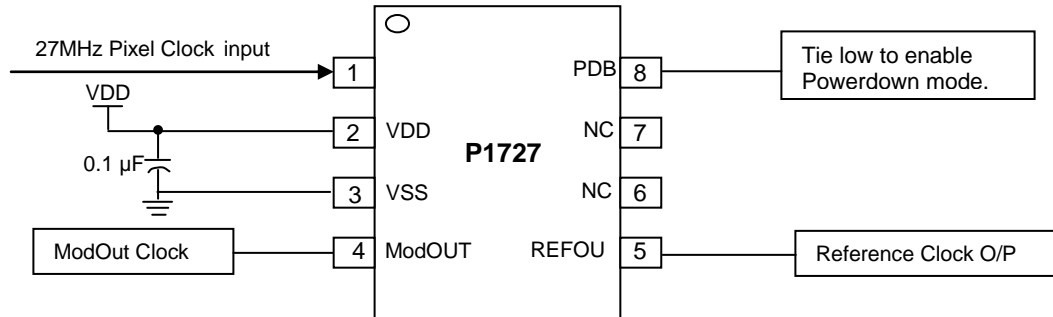
**Table 2 – Frequency Deviation Selection**

P/N	Deviation	P/N	Deviation
P1727A	-1.25%	P1727E	+/-0.625%
P1727B	-1.75%	P1727F	+/-0.875%
P1727C	-2.50%	P1727G	+/-1.25%
P1727D	-3.50%	P1727H	+/-1.75%

## Pin Description

Pin#	Pin Name	Type	Description
1	CLKIN	I	External reference frequency input. Connect to externally generated reference signal.
2	VDD	P	Connect to +3.3V.
3	VSS	P	Ground Connection. Connect to system ground.
4	ModOUT	O	Spread Spectrum Clock output.
5	REFOUT	O	Reference output.
6	NC		No connect.
7	NC		No connect.
8	PDB	I	Powerdown Pin. Pull low to disable spread spectrum clock output.

**Schematic for notebook VGA application**



**Absolute Maximum Ratings**

Symbol	Parameter	Rating	Unit
VDD, V <sub>IN</sub>	Voltage on any pin with respect to Ground	-0.5 to +7	V
T <sub>STG</sub>	Storage temperature	-65 to +125	°C
T <sub>s</sub>	Max. Soldering Temperature (10 sec)	260	°C
T <sub>J</sub>	Junction Temperature	150	°C
T <sub>DV</sub>	Static Discharge Voltage (As per JEDEC STD22- A114-B)	2	KV

Note: These are stress ratings only and are not implied for functional use. Exposure to absolute maximum ratings for prolonged periods of time may affect device reliability.

**DC Electrical Characteristics**

Symbol	Parameter		Min	Typ	Max	Unit
V <sub>IL</sub>	Input Low voltage		VSS – 0.3		0.8	V
V <sub>IH</sub>	Input High voltage		2.0		VDD +0.3	V
I <sub>IL</sub>	Input Low current				-35	μA
I <sub>IH</sub>	Input High current				35	μA
V <sub>OL</sub>	Output Low current	VDD = 3.3V, I <sub>OL</sub> = 20mA			0.4	V
V <sub>OH</sub>	Output High current	VDD = 3.3V, I <sub>OH</sub> = 20mA	2.5			V
I <sub>DD</sub>	Static Supply Current (CLKIN, PDB pulled Low)				2	mA
I <sub>CC</sub>	Dynamic Supply Current (No Load)			14	18	mA
V <sub>DD</sub>	Operating Voltage		3.0	3.3	3.6	V
t <sub>ON</sub>	Power up time (first locked clock cycle after power up)			0.18		mS
Z <sub>OUT</sub>	Clock Output impedance			50		Ω
T <sub>A</sub>	Operating temperature		0		70	°C

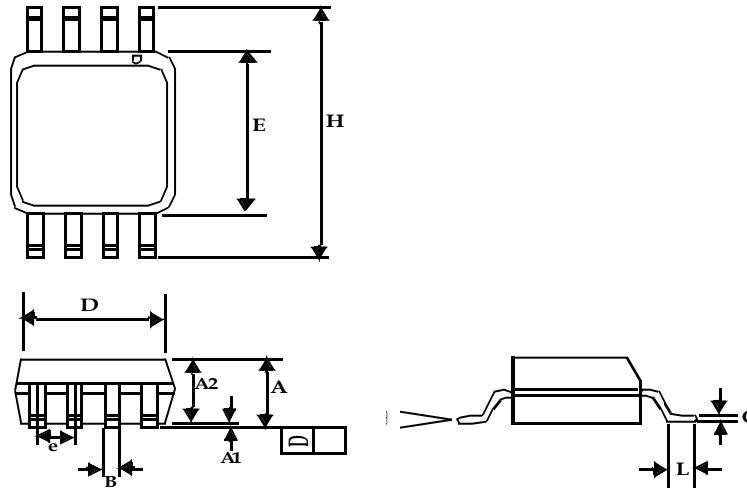
**AC Electrical Characteristics**

Symbol	Parameter		Min	Typ	Max	Unit
f <sub>IN</sub>	Input Frequency:	P1727X	20		40	MHz
f <sub>OUT</sub>	Output Frequency:	P1727X	20		40	MHz
t <sub>LH</sub> <sup>1</sup>	Output Rise time	Measured from 0.8V to 2.0V	0.7	0.9	1.1	nS
t <sub>HL</sub> <sup>1</sup>	Output Fall time	Measured from 2.0V to 0.8V	0.6	0.8	1.0	nS
t <sub>JC</sub>	Jitter (Cycle-to-cycle)			225	325	pS
t <sub>D</sub>	Output Duty cycle		45	50	55	%

Note: 1. t<sub>LH</sub> and t<sub>HL</sub> are measured with a capacitive load of 15pF.

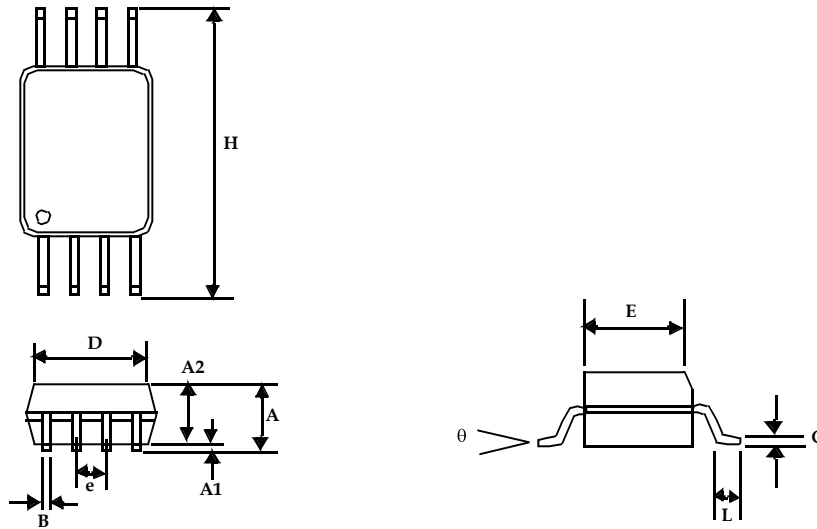
Package Information

8-lead (150-mil) SOIC Package



Symbol	Dimensions			
	Inches		Millimeters	
	Min	Max	Min	Max
A1	0.004	0.010	0.10	0.25
A	0.053	0.069	1.35	1.75
A2	0.049	0.059	1.25	1.50
B	0.012	0.020	0.31	0.51
C	0.007	0.010	0.18	0.25
D	0.193 BSC		4.90 BSC	
E	0.154 BSC		3.91 BSC	
e	0.050 BSC		1.27 BSC	
H	0.236 BSC		6.00 BSC	
L	0.016	0.050	0.41	1.27
θ	0°	8°	0°	8°

8-lead Thin Shrunken Small Outline Package (4.40-MM Body)

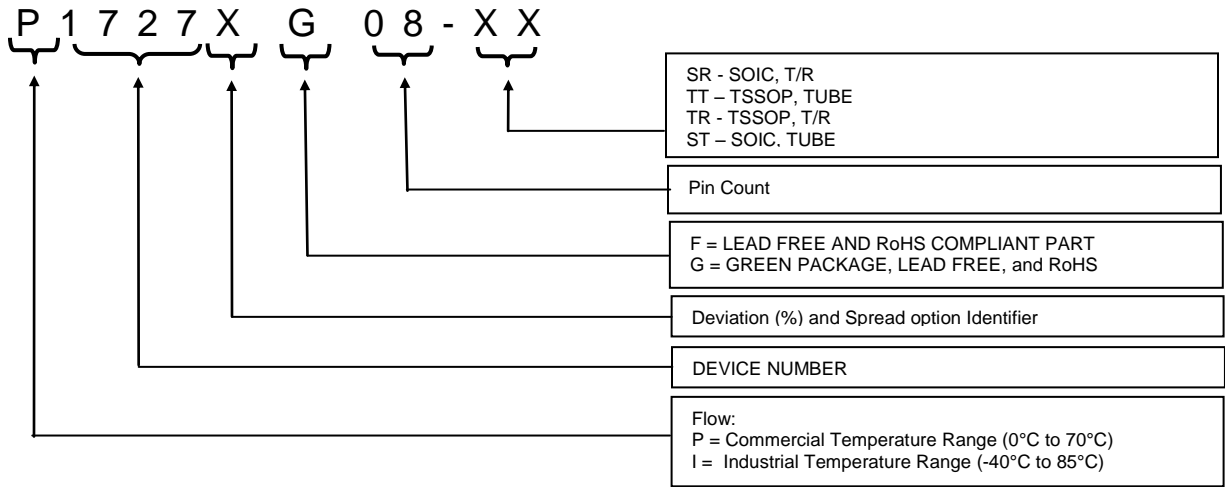


Symbol	Dimensions			
	Inches		Millimeters	
	Min	Max	Min	Max
A		0.043		1.10
A1	0.002	0.006	0.05	0.15
A2	0.033	0.037	0.85	0.95
B	0.008	0.012	0.19	0.30
c	0.004	0.008	0.09	0.20
D	0.114	0.122	2.90	3.10
E	0.169	0.177	4.30	4.50
e	0.026 BSC		0.65 BSC	
H	0.252 BSC		6.40 BSC	
L	0.020	0.028	0.50	0.70
θ	0°	8°	0°	8°

**Ordering Information**

<b>Part number</b>	<b>Marking</b>	<b>Package Configuration</b>	<b>Temperature Range</b>
P1727AG-08ST	P1727AG	8 PIN SOIC, TUBE, Green	Commercial
P1727AG-08SR	P1727AG	8 PIN SOIC, TAPE & REEL, Green	Commercial
P1727AG-08TT	P1727AG	8 PIN TSSOP, TUBE, Green	Commercial
P1727AG-08TR	P1727AG	8 PIN TSSOP, TAPE & REEL, Green	Commercial
P1727BG-08ST	P1727BG	8 PIN SOIC, TUBE, Green	Commercial
P1727BG-08SR	P1727BG	8 PIN SOIC, TAPE & REEL, Green	Commercial
P1727BG-08TT	P1727BG	8 PIN TSSOP, TUBE, Green	Commercial
P1727BG-08TR	P1727BG	8 PIN TSSOP, TAPE & REEL, Green	Commercial
P1727CG-08ST	P1727CG	8 PIN SOIC, TUBE, Green	Commercial
P1727CG-08SR	P1727CG	8 PIN SOIC, TAPE & REEL, Green	Commercial
P1727CG-08TT	P1727CG	8 PIN TSSOP, TUBE, Green	Commercial
P1727CG-08TR	P1727CG	8 PIN TSSOP, TAPE & REEL, Green	Commercial
P1727DG-08ST	P1727DG	8 PIN SOIC, TUBE, Green	Commercial
P1727DG-08SR	P1727DG	8 PIN SOIC, TAPE & REEL, Green	Commercial
P1727DG-08TT	P1727DG	8 PIN TSSOP, TUBE, Green	Commercial
P1727DG-08TR	P1727DG	8 PIN TSSOP, TAPE & REEL, Green	Commercial
P1727EG-08ST	P1727EG	8 PIN SOIC, TUBE, Green	Commercial
P1727EG-08SR	P1727EG	8 PIN SOIC, TAPE & REEL, Green	Commercial
P1727EG-08TT	P1727EG	8 PIN TSSOP, TUBE, Green	Commercial
P1727EG-08TR	P1727EG	8 PIN TSSOP, TAPE & REEL, Green	Commercial
P1727FG-08ST	P1727FG	8 PIN SOIC, TUBE, Green	Commercial
P1727FG-08SR	P1727FG	8 PIN SOIC, TAPE & REEL, Green	Commercial
P1727FG-08TT	P1727FG	8 PIN TSSOP, TUBE, Green	Commercial
P1727FG-08TR	P1727FG	8 PIN TSSOP, TAPE & REEL, Green	Commercial
P1727GG-08ST	P1727GG	8 PIN SOIC, TUBE, Green	Commercial
P1727GG-08SR	P1727GG	8 PIN SOIC, TAPE & REEL, Green	Commercial
P1727GG-08TT	P1727GG	8 PIN TSSOP, TUBE, Green	Commercial
P1727GG-08TR	P1727GG	8 PIN TSSOP, TAPE & REEL, Green	Commercial
P1727HG-08ST	P1727HG	8 PIN SOIC, TUBE, Green	Commercial
P1727HG-08SR	P1727HG	8 PIN SOIC, TAPE & REEL, Green	Commercial
P1727HG-08TT	P1727HG	8 PIN TSSOP, TUBE, Green	Commercial
P1727HG-08TR	P1727HG	8 PIN TSSOP, TAPE & REEL, Green	Commercial


Device Ordering Information



Licensed under US patent #5,488,627, #6,646,463 and #5,631,920.



Note: This product utilizes US Patent #6,646,463 Impedance Emulator Patent issued to PulseCore Semiconductor, dated 11-11-2003.

**ON Semiconductor** and  are registered trademarks of Semiconductor Components Industries, LLC (SCILLC). SCILLC reserves the right to make changes without further notice to any products herein. SCILLC makes no warranty, representation or guarantee regarding the suitability of its products for any particular purpose, nor does SCILLC assume any liability arising out of the application or use of any product or circuit, and specifically disclaims any and all liability, including without limitation special, consequential or incidental damages. "Typical" parameters which may be provided in SCILLC data sheets and/or specifications can and do vary in different applications and actual performance may vary over time. All operating parameters, including "Typicals" must be validated for each customer application by customer's technical experts. SCILLC does not convey any license under its patent rights nor the rights of others. SCILLC products are not designed, intended, or authorized for use as components in systems intended for surgical implant into the body, or other applications intended to support or sustain life, or for any other application in which the failure of the SCILLC product could create a situation where personal injury or death may occur. Should Buyer purchase or use SCILLC products for any such unintended or unauthorized application, Buyer shall indemnify and hold SCILLC and its officers, employees, subsidiaries, affiliates, and distributors harmless against all claims, costs, damages, and expenses, and reasonable attorney fees arising out of, directly or indirectly, any claim of personal injury or death associated with such unintended or unauthorized use, even if such claim alleges that SCILLC was negligent regarding the design or manufacture of the part. SCILLC is an Equal Opportunity/Affirmative Action Employer. U.S Patent Pending; Timing-Safe and Active Bead are trademarks of PulseCore Semiconductor, a wholly owned subsidiary of ON Semiconductor. This literature is subject to all applicable copyright laws and is not for resale in any manner.

**PUBLICATION ORDERING INFORMATION**

**LITERATURE FULFILLMENT:**

Literature Distribution Center for ON Semiconductor  
P.O. Box 5163, Denver, Colorado 80217 USA  
**Phone:** 303-675-2175 or 800-344-3860 Toll Free  
USA/Canada  
**Fax:** 303-675-2176 or 800-344-3867 Toll Free  
USA/Canada  
**Email:** [orderlit@onsemi.com](mailto:orderlit@onsemi.com)

**N. American Technical Support:** 800-282-9855  
Toll Free USA/Canada  
**Europe, Middle East and Africa Technical Support:**  
Phone: 421 33 790 2910  
**Japan Customer Focus Center**  
Phone: 81-3-5773-3850

**ON Semiconductor Website:**  
[www.onsemi.com](http://www.onsemi.com)

**Order Literature:** <http://www.onsemi.com/orderlit>

For additional information, please contact your local Sales Representative