

128D Series DIN connectors with power and coaxial contacts

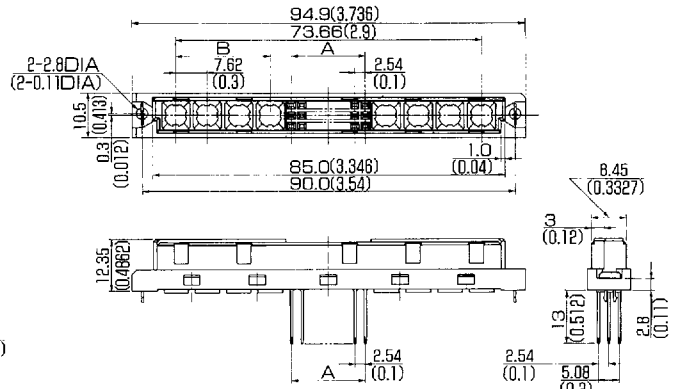
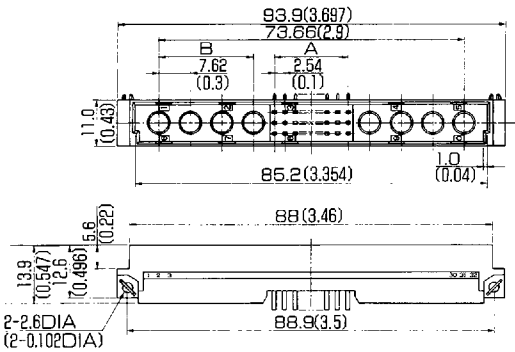


mm[inch]

Dimensions and ordering information

PIN HEADER Right angle(Less power and coaxial contacts)
P/N:128D-Ø24P3RF8-L1xA

SOCKET(Straight)(Less power and coaxial contacts)
P/N:128D-Ø24S3RF8-S3xA



P/N	A	B
128D-Ø24x3RF8-xxxx	7x2.54=17.78(0.7)	3x7.62=22.86(0.9)
128D-Ø42x3RF6-xxxx	13x2.54=33.02(1.3)	2x7.62=15.24(0.6)

Ordering information

128D-Øxxx3RFx-xxxx

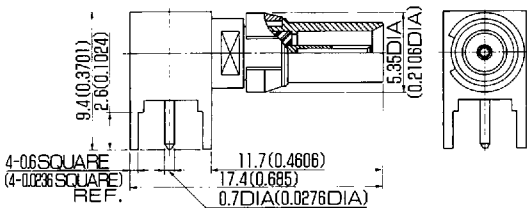
- Series
- Number of contacts(Standard contacts) ····Ø24:24 contacts
····Ø42:42 contacts
- Connector style ··········· P:Pin header
·········· S:Socket
- Number of row ············3:3
- Insert arrangement ········· RF:Coax/power design
- No. of power/coaxial contacts ······· 6:6 contacts
·········· 8:8 contacts

- Contact tail configurations ···· L: Right angle
······ S: Straight
- Contact tail length ·········· 1: 3mm[0.12]— Applicable for pin header
·········· 3: 13mm[0.512]— Applicable for sockets
·········· 9: 3.9mm[0.154]
- Contact plating ············· 3: Gold plate(0.3µm)over Nickel
·············· 4: Gold plate(flash)over Nickel
- Locking pin ················· A: With
·················· N: Without

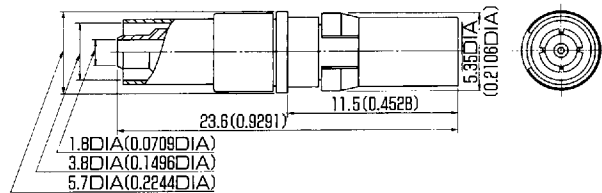
Note:Order power and/or coaxial contacts separately.

Coaxial contacts

P/N: DIN-LR-PC



P/N: DIN-P-1.5CQEV



Power and coaxial contacts ordering information

P/N	DESCRIPTION	CRIMPING TOOL
DIN-LR-PC	Right angle power socket contact for P.C.B. mount	Not required
DIN-P-1.5CQEV	Straight coaxial pin contact for cable (1.5C-QEV) connecting	CR-H-1158
DIN-P-1.5CQEW	Straight coaxial pin contact for cable (1.5C-QEW) connecting	CR-H-1159
DIN-J-1.5CQEV	Straight coaxial socket contact for cable (1.5C-QEV) connecting	CR-H-1158
DIN-J-1.5CQEW	Straight coaxial socket contact for cable (1.5C-QEW) connecting	CR-H-1159
DIN-LP-1.5CQEV	Right angle coaxial pin contact for cable (1.5C-QEV) connecting	CR-H-1158
DIN-LP-1.5CQEW	Right angle coaxial pin contact for cable (1.5C-QEW) connecting	CR-H-1159
DIN-LR-PC-HC	Right angle power pin contact for P.C.B. mount (Power supply)	Not required
DIN-P-HC	Straight power socket contact for cable (Power supply) connecting	Not required

Tool:Insertion and removal tool for coax/power contact. P/N:357J-10952

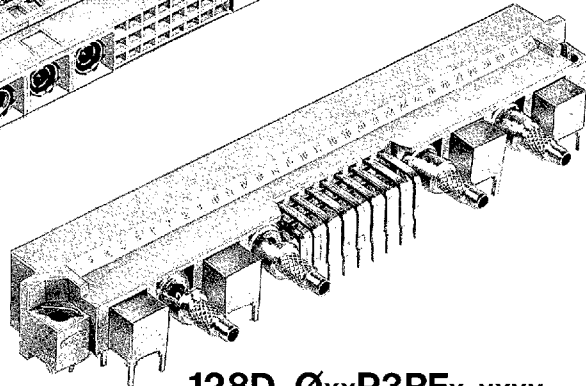
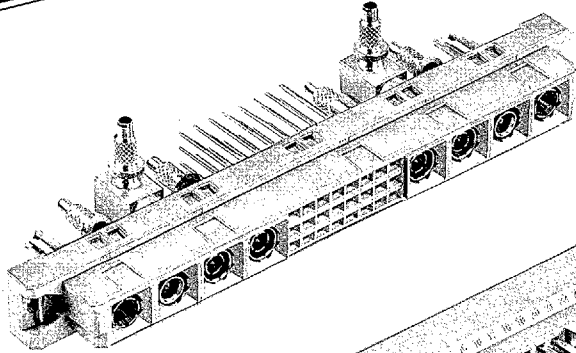
128D Series DIN connectors with power and coaxial contacts

(DIN41612, IEC603-2 Compatible)



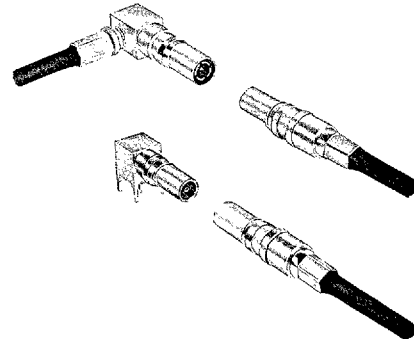
New Products

128D- \emptyset _{xx}S3RF_x-xxxx

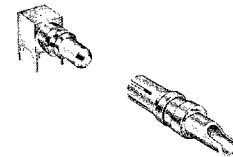


128D- \emptyset _{xx}P3RF_x-xxxx

Coaxial contacts



Power contacts



Applications: PBX, Broadcasting equipment, Computers, ETC.

Features

- Conforming to DIN 41612 and IEC 603-2.
- Programmable power and coaxial contact positions.

Material/Finish

- Insulator.....Glass-filled PBT. (UL94V-0)
- Standard contacts.....Copper alloy/Selective gold
- Coaxial contacts
- Outer contacts.....Copper alloy or Stainless steel/Gold
- Center contacts.....Copper alloy/Gold
- Insulators.....Teflon
- Power contacts
- Contacts.....Copper alloy/Gold

Specification

- | | | |
|--|--|---|
| <ul style="list-style-type: none"> ■ Standard contacts ● Operating voltage..... 300VAC(r.m.s.) ● Rated current.....2A/Contacts ● Dielectric withstanding voltage.....1000VAC(r.m.s.) ● Insulation resistance...1000MΩMIN. @100VDC ● Contact resistance... 20mΩMAX. @1ADC | <ul style="list-style-type: none"> ■ Coaxial contacts ● Operating voltage..... 250VAC(r.m.s.) ● Impedance..... 75Ω ● Dielectric withstanding voltage.....750VAC(r.m.s.) ● Insulation resistance...1000MΩMIN. @500VDC ● Contact resistance... { Outer contacts/6mΩMAX. @1ADC
 { Center contacts/3mΩMAX. @1ADC ● V.S.W.R..... 1.2MAX(10MHz ~ 300MHz) | <ul style="list-style-type: none"> ■ Power contacts ● Rated current.....20A |
|--|--|---|



- DDK LTD.(TOKYO) Tel: 03-375-7407 Fax: 03-370-9286
- DDK ELECTRONICS (EUROPE) LTD. (LONDON) Tel: 0959-61224 Fax: 0959-61034
- DDK THAILAND LTD. Tel: 02-529-1428 Fax: 02-529-1427
- DDK ELECTRONICS (CANADA) INC. Tel: 416-470-1846 Fax: 416-470-1479

- DDK ELECTRONICS, INC.(USA)
- SAN FRANCISCO Tel: 415-226-0400 Fax: 415-226-0494
- LOS ANGELES Tel: 714-455-9874 Fax: 714-455-0769
- Raleigh Tel: 919-460-8577 Fax: 919-460-9177
- DALLAS Tel: 214-480-9276 Fax: 214-680-8410
- BOSTON Tel: 203-458-2563 Fax: 203-458-8680