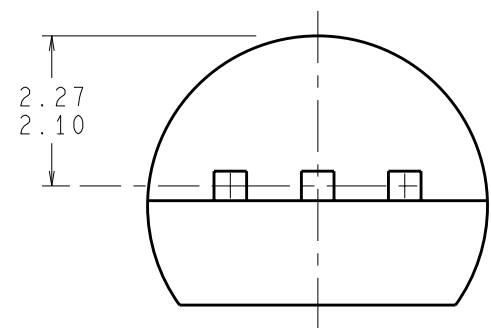
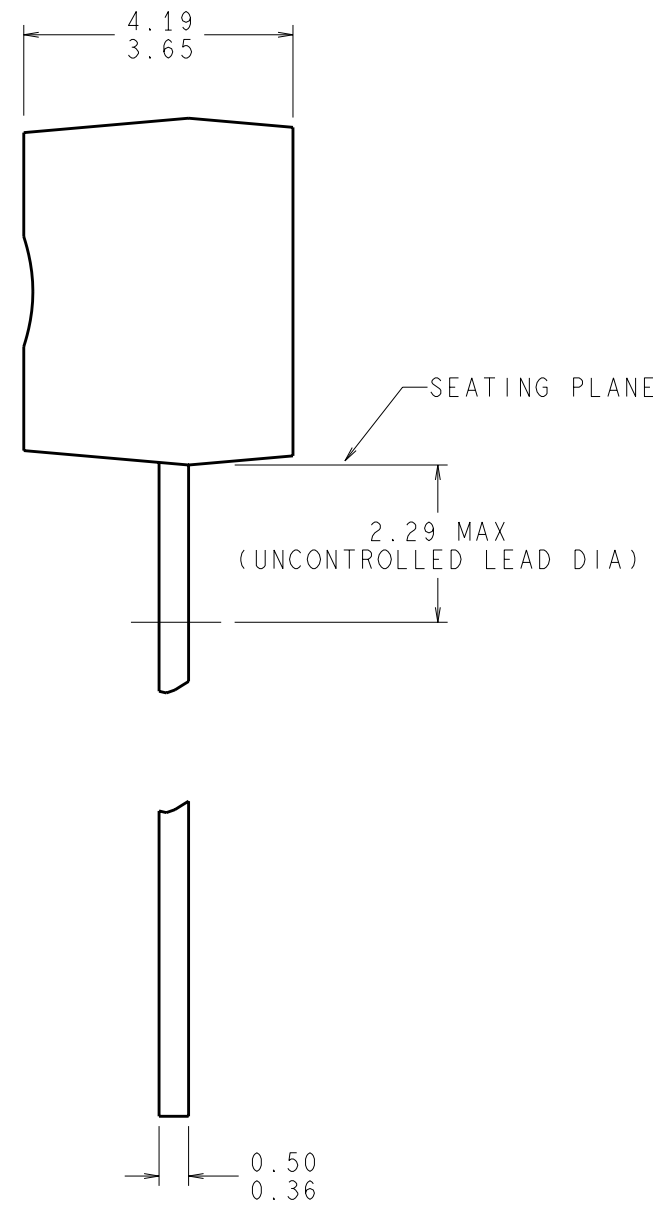
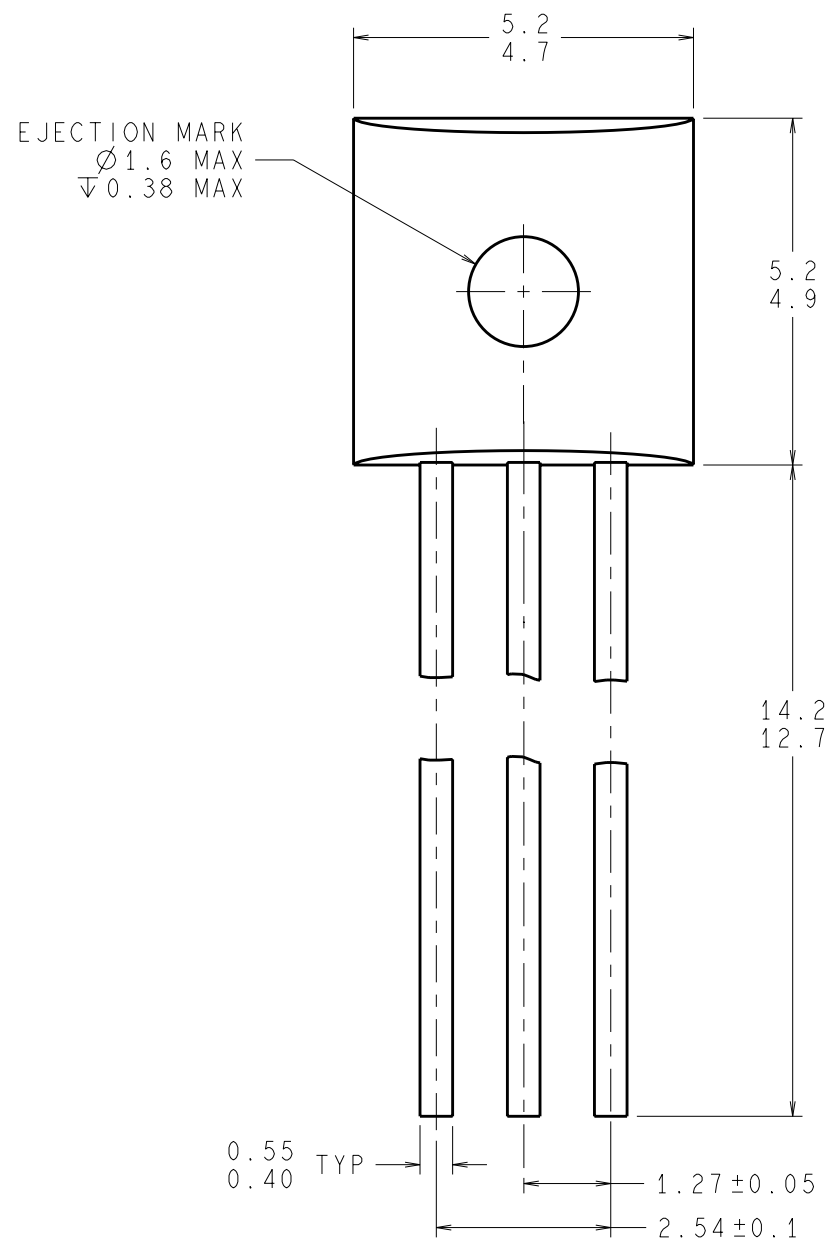


REVISIONS				
LTR	DESCRIPTION	E.C.N.	DATE	BY/APP'D
G	REDESIGN PKG CONFIGURATION. REDRAWN IN PRO/E.	12514	09/06/2000	NS/MS/JJY



**DIMENSIONS ARE IN MILLIMETERS**

- NOTES: UNLESS OTHERWISE SPECIFIED
- STANDARD LEAD FINISH:  
LEAD/TIN 40/60 OVER COPPER A194 OR EQUIVALENT.
  - REFERENCE JEDEC REGISTRATION TO-226, VARIATION AA.

APPROVALS		DATE	National Semiconductor		
DRAWN	<b>N. SANTHIRAN</b>	09/06/2000	2900 Semiconductor Dr., Santa Clara, CA 95052-8090		
DFTG. CHK.	<b>MARTA SUCHY</b>	09/06/2000	<b>TO-92, MOLDED, 3 LEAD</b>		
ENGR. CHK.	<b>JJ YEOH</b>	09/06/2000			
PROJECTION		SCALE	SIZE	DRAWING NUMBER	REV
		N/A	C	(SC)MKT-Z03A	G
DO NOT SCALE DRAWING				SHEET 1 of 1	