



Metallized Polypropylene Film AC Power Capacitor
 Safety Mechanism, UL810 approved (Failure current 5,000A)
 series



Specifications

Item	Performance Characteristics
UL Approved No.	UL810 FILE No. E86988
Maximum permissible temperature	+70°C (M)
Minimum ambient temperature	-25°C (B)
Rated Voltage Range	200 ~ 440VAC
Rated Capacitance Range	1.0 ~ 30μF
Capacitance Tolerance	+10 ~ -5%
Dielectric Loss Tangent	0.12% or less (at 20°C, 50/60Hz 200VAC)
Withstand Voltage	Between Terminals : Rated Voltage (VAC) × 175% 10secs. Between Terminals connected together and case : 2000VAC 60secs.
Insulation Resistance	Between Terminals connected together and case : 1000 MΩ or more (at 500VDC)
Encapsulation	Flame-retardant epoxy cased, Resin filled
Current duration class	40D (40,000h)
Safety Mechanism	Included

Please indicate as "EEN" series when applying to UL.

Drawing

Please refer to page 270.

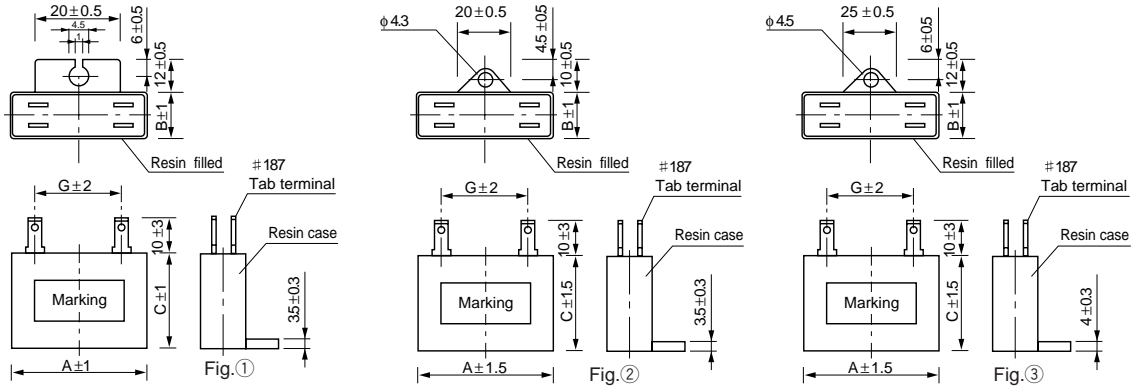
Dimensions

Unit : mm

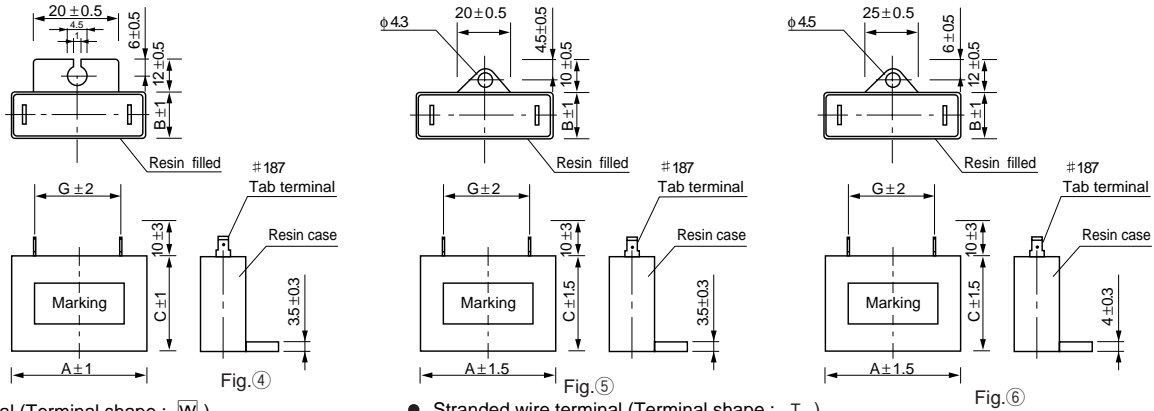
(μF) Cap	V(Code) Code	Size	200VAC (2D)				250VAC (2E)				400VAC (2G)				440VAC (Y5)						
			A	B	C	Fig.	A	B	C	Fig.	A	B	C	Fig.	A	B	C	Fig.			
1.0	105		37.0	11.5	25.0	① ④ ⑦	37.0	11.5	25.0	① ④ ⑦	37.0	13.5	27.0	① ④ ⑦	37.0	13.5	27.0	① ④ ⑦			
1.5	155		37.0	11.5	25.0		37.0	11.5	25.0		37.0	15.5	29.0		37.0	17.5	31.0		37.0	17.5	31.0
2.0	205		37.0	11.5	25.0		37.0	11.5	25.0		37.0	17.5	31.0		37.0	19.5	33.0		37.0	19.5	33.0
2.5	255		37.0	11.5	25.0		37.0	11.5	25.0		37.0	19.5	33.0		37.0	24.0	37.0		37.0	24.0	37.0
3.0	305		37.0	11.5	25.0		37.0	13.5	27.0		37.0	21.5	35.0		37.0	24.0	37.0		37.0	24.0	37.0
3.5	355		37.0	13.5	27.0		37.0	13.5	27.0		37.0	24.0	37.0		48.0	24.0	38.0		48.0	24.0	38.0
4.0	405		37.0	13.5	27.0		37.0	15.5	29.0		48.0	21.5	35.0		48.0	24.0	38.0		48.0	24.0	38.0
4.5	455		37.0	15.5	29.0		37.0	15.5	29.0		48.0	24.0	38.0		58.0	26.0	40.0		58.0	26.0	40.0
5.0	505		37.0	15.5	29.0		37.0	17.5	31.0		48.0	24.0	38.0		58.0	26.0	40.0		58.0	26.0	40.0
6.0	605		37.0	17.5	31.0		37.0	19.5	33.0		58.0	26.0	40.0		58.0	26.0	40.0		58.0	26.0	40.0
7.0	705		37.0	17.5	31.0		37.0	21.5	35.0		58.0	26.0	40.0		58.0	30.0	44.0		58.0	30.0	44.0
8.0	805		37.0	19.5	33.0		37.0	21.5	35.0		58.0	26.0	40.0		58.0	30.0	44.0		58.0	30.0	44.0
10.0	106		37.0	21.5	35.0	37.0	24.0	37.0	58.0	30.0	44.0										
12.0	126		37.0	24.0	37.0	48.0	24.0	38.0	② ⑤												
14.0	146		48.0	21.5	35.0	48.0	24.0	38.0	② ⑤												
15.0	156		48.0	24.0	38.0	② ⑤	58.0	26.0	40.0	③ ⑥											
16.0	166		48.0	24.0	38.0	58.0	26.0	40.0	58.0		26.0	40.0									
18.0	186		58.0	26.0	40.0	58.0	26.0	40.0	58.0		26.0	40.0									
20.0	206		58.0	26.0	40.0	58.0	26.0	40.0	58.0		30.0	44.0									
22.0	226		58.0	26.0	40.0	58.0	26.0	40.0	58.0		30.0	44.0									
25.0	256		58.0	26.0	40.0	③ ⑥	58.0	30.0	44.0		58.0	30.0	44.0								
30.0	306		58.0	30.0	44.0																

■ Drawing

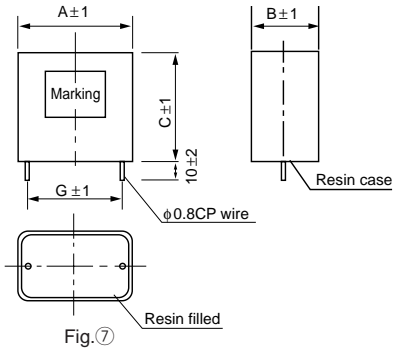
- Tab terminal 2 (Terminal shape : □)



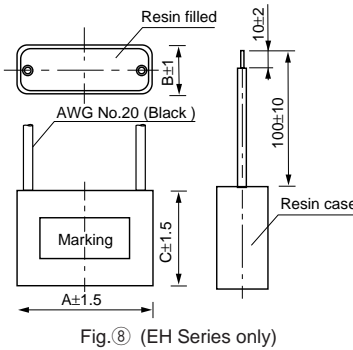
- Tab terminal 1 (Terminal shape : Z)



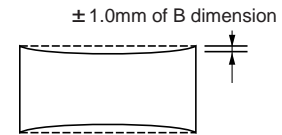
- Pin terminal (Terminal shape : W)



- Stranded wire terminal (Terminal shape : T)



- Remarks : 1) Tab terminal product has bracket as standard. It is also available without bracket.
 2) Dimension of case bottom is expressed by A and B.
 3) Dimension B of case top shall be ±1.0mm as shown below.



- 4) In case of pin terminal product, cased dimension A is only 37mm.

■ Dimensions

Case size (mm)			Case size code () for Pin terminal	Lead pitch G (mm)					
A	B	C		Terminal Shape □		Terminal Shape Z			
				Terminal 2	Fig	Terminal 1	Fig		
37.0	11.5	25.0	01						
37.0	13.5	27.0	02 (09)						
37.0	15.5	29.0	03 (27)						
37.0	17.5	31.0	04 (11)						
37.0	19.5	33.0	05						
37.0	21.5	35.0	06						
37.0	24.0	37.0	07						
48.0	21.5	35.0	13						
48.0	24.0	38.0	14						
58.0	26.0	40.0	15						
58.0	30.0	44.0	16						
58.0	34.0	49.0	31						
				27.0	①	30.0	④	34.2	⑦
				37.0	②	40.0	⑤		
				47.0	③	50.0	⑥		
									⑧

※ In case of pin terminal and stranded wire terminal product, dimension will be 37.0 × 13.5 × 28.0mm. (Code : 09)
 ※※ In case of pin terminal and stranded wire terminal product, dimension will be 37.0 × 15.5 × 29.0mm. (Code : 27)
 ※※※ In case of pin terminal and stranded wire terminal product, dimension will be 37.0 × 17.5 × 31.0mm. (Code : 11)