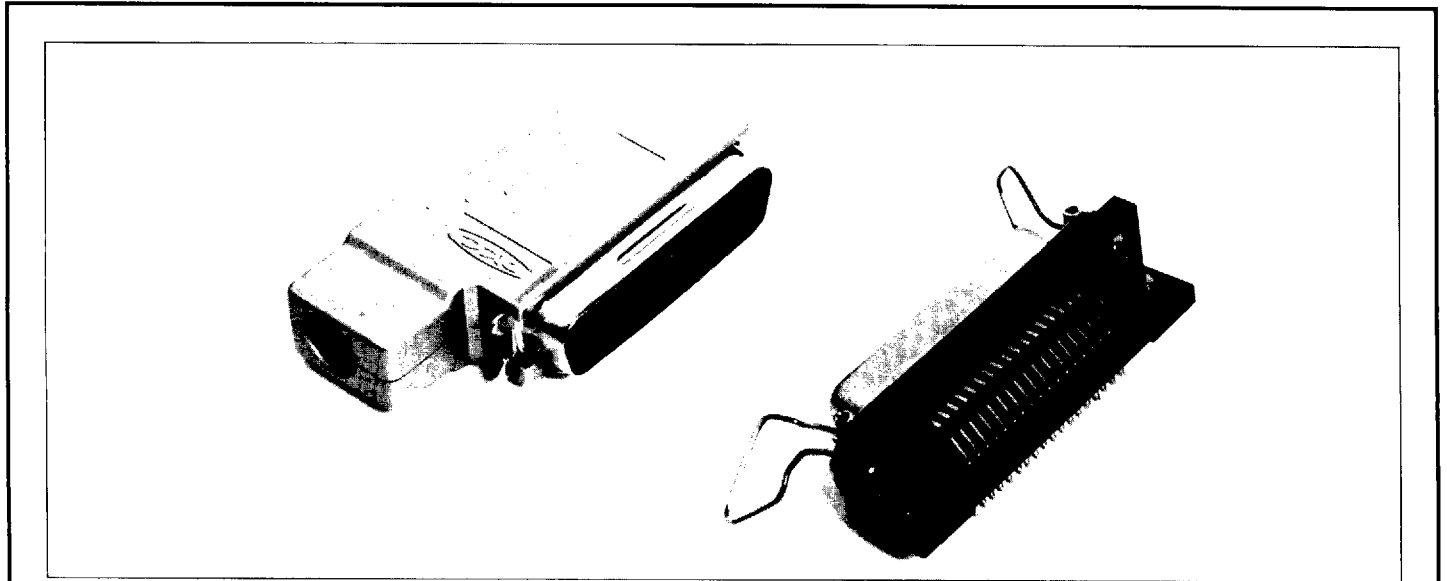


# 57JE Series



Right angle entry hood  
for solder type plug-low profile



## FEATURES

- Highly-reliable, scoop-proof cantilever contact design
- Intermateable with 57 family connectors

## SPECIFICATIONS

Rated voltage .....500V AC(r.m.s.)  
Rated current .....5A/contact  
Dielectric withstanding .....1200V AC(r.m.s.)  
voltage 1 minute  
Insulation resistance .....1000M $\Omega$  max.  
at 500V DC  
Contact resistance .....35m $\Omega$  max.  
Wire accommodation.....Solid : 22 AWG max.  
Stranded : 24 AWG max.

## MATERIAL/FINISH

Shell .....Copper alloy/Nickel plate  
Insulator.....Diallyl phthalate resin  
(UL94V-0)/Blue  
Contact .....Copper alloy/  
Gold plate  
Hood .....Aluminum cast/Non-conductive  
paint finish(color : grey)

# 57JE Series



## Ordering Information

Unit:mm(inch)

**57JE - B 36 H - L 12 D2**

### DEVIATION

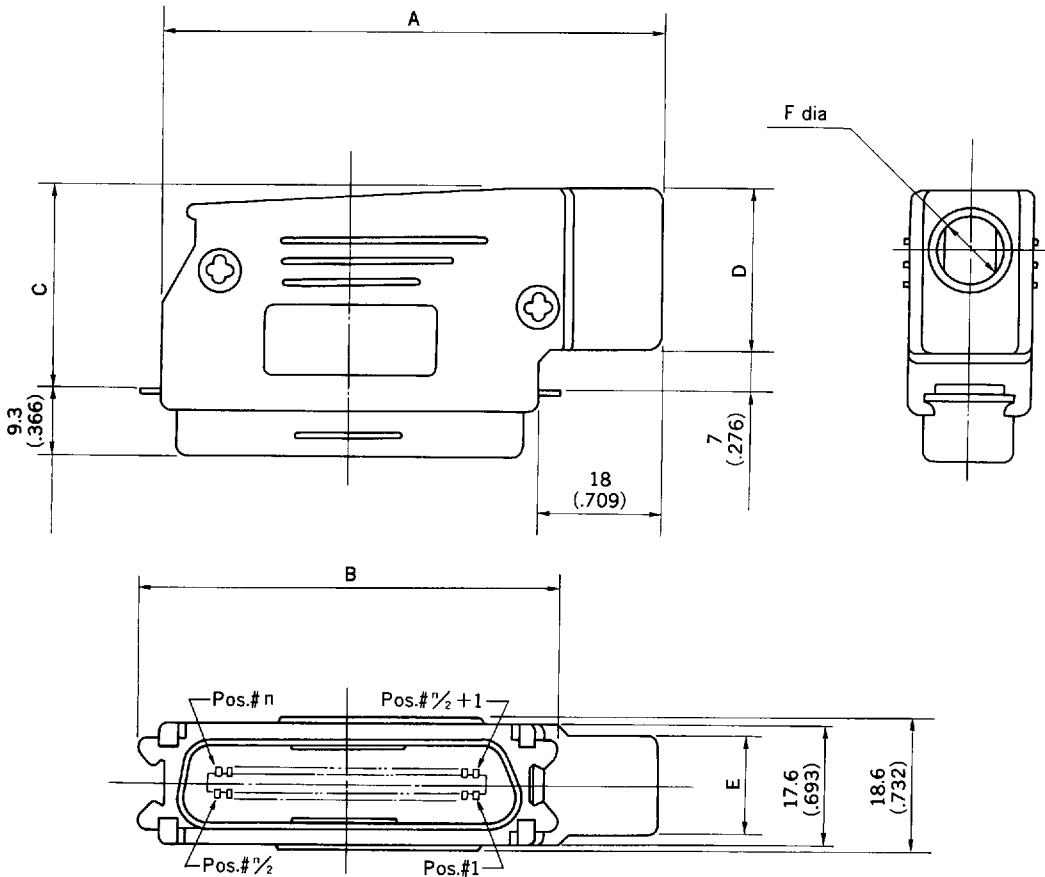
No designation : 24, 36, 50 contacts  
D2 : 14 contacts only

### NO. OF CONTACTS

14, 24, 36, 50

(Part number includes connector and hood)

## Dimensions



NO. OF CONT'S	A	B	C	D	E	F
14	44.4 (1.748)	37.8 (1.488)	28 (1.102)	21 (.827)	13 (.512)	8.4 (.331)
24	57.5 (2.264)	48.6 (1.913)	28 (1.102)	21 (.827)	13 (.512)	9.0 (.354)
36	72.7 (2.862)	61.6 (2.425)	29 (1.142)	22 (.866)	14 (.551)	10.0 (.394)
50	89.7 (3.531)	76.7 (3.020)	30 (1.181)	23 (.906)	15 (.591)	11.0 (.433)

9008844 0000756 441

# 57JE Series



## ● Receptacles—right angle dip solder connectors Ordering Information

Unit:mm(inch)

### 57LE-40360-7700 (D34)

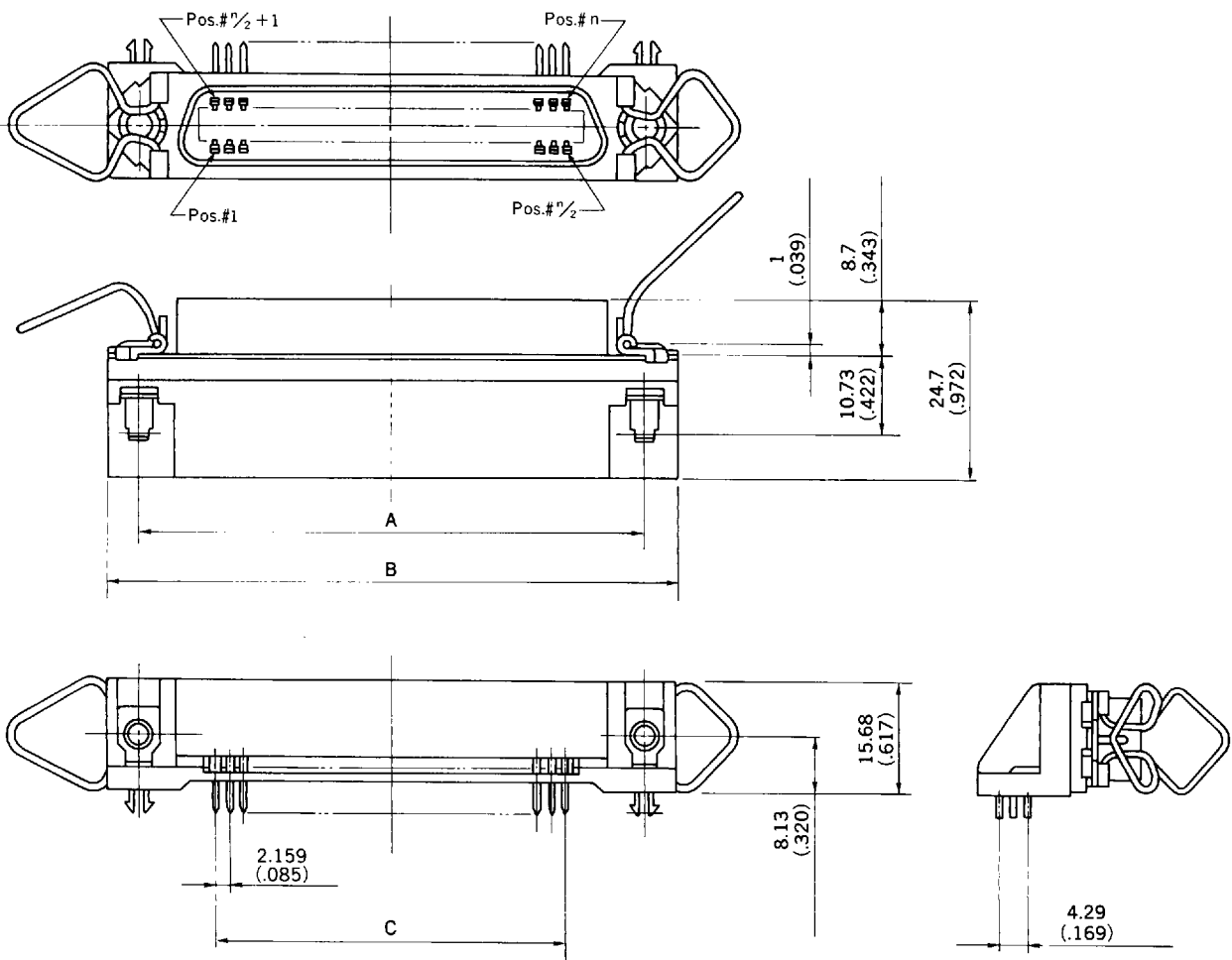
#### DEVIATION

(D34) : with 90° bent spring latch,  
contact position... (see below)  
(D44) : with 90° bent spring latch,  
contact position... (see below)

#### CONNECTOR P/N

See 57LE series ordering information

### 57LE-40xx0-xxxx (D34) type



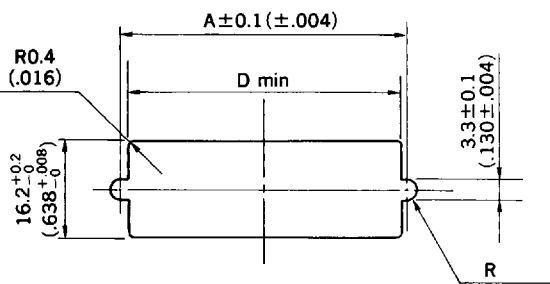
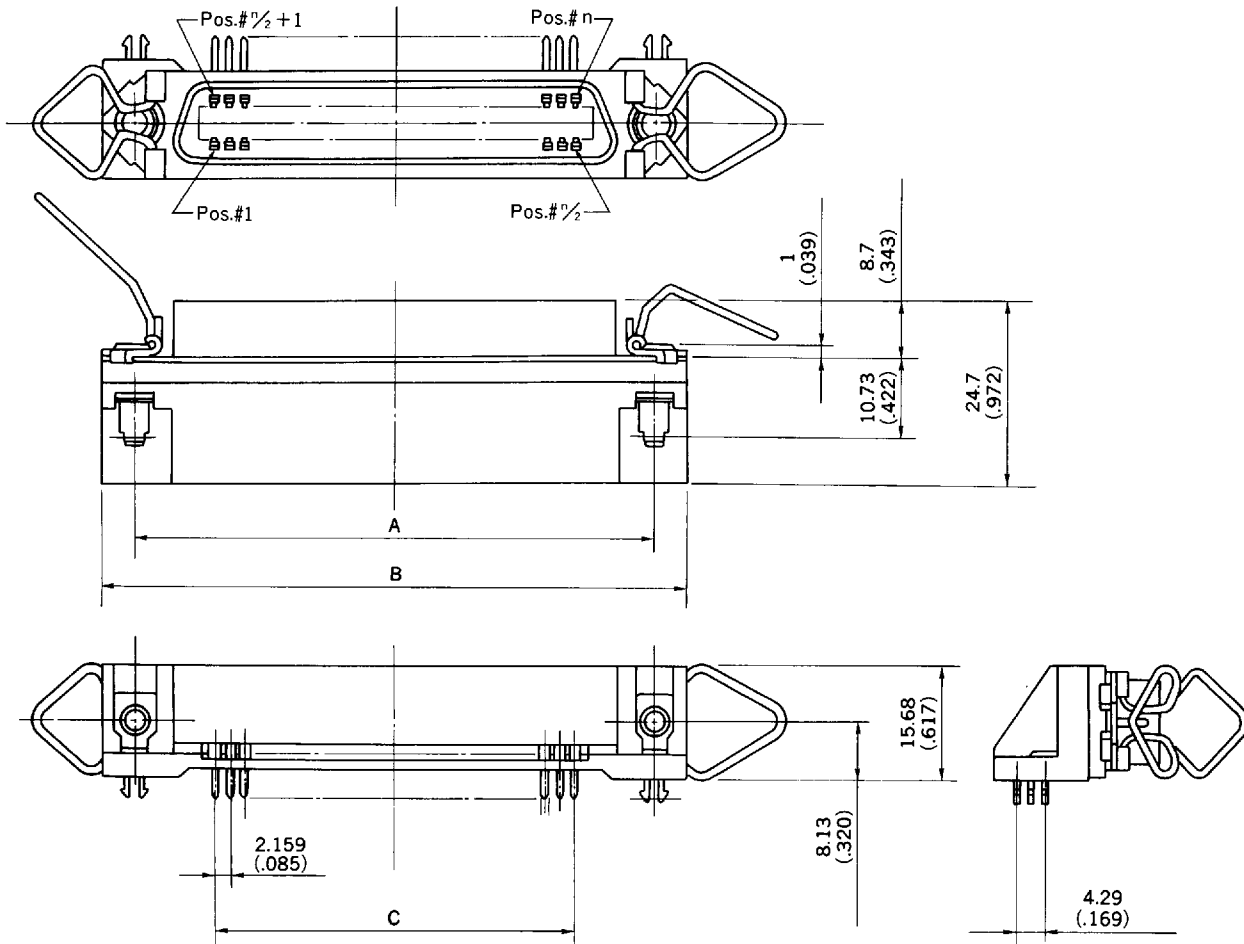
9008844 0000757 388

# 57JE Series

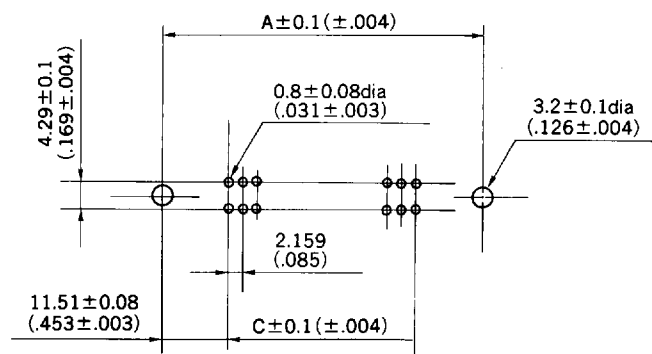


57LE-40xx0-xxxx (D44) type

Unit:mm(inch)



Panel cut out dimensions  
Thickness = 1.6max (.063)



PCB mounting dimensions

NO. OF CONT'S	A	B	C	D
14	36.00 (1.417)	44.00 (1.732)	12.96 (.510)	35.3 (1.390)
24	46.78 (1.842)	54.78 (2.157)	23.76 (.935)	46.08 (1.814)
36	59.74 (2.352)	67.74 (2.667)	36.72 (1.446)	59.04 (2.324)
50	74.85 (2.947)	82.85 (3.262)	51.84 (2.041)	74.15 (2.919)