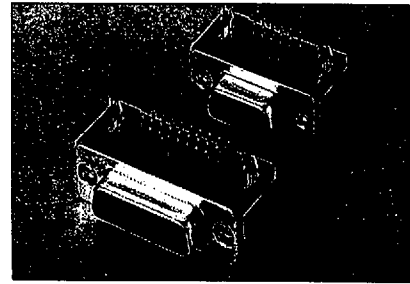


# D-SUB CONNECTOR

## H.D. RIGHT ANGLE TYPE



### SPECIFICATION

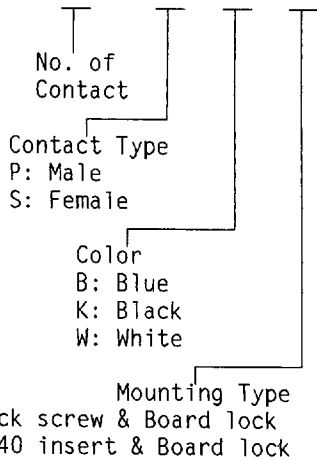
- \* Current Rating:  
3 A
- \* Withstanding Voltage:  
1000 VAC ( 1 min.)
- \* Insulation Resistance:  
1000 MΩ min.
- \* Contact Resistance:  
30 mΩ max.
- \* Operating Temperature:  
-40°C to +85°C

### MATERIAL

- \* Contact: Brass, Gold Plated
- \* Insulator: PBT & 30% G. F.
- \* Shell: Stell, Tin Plated

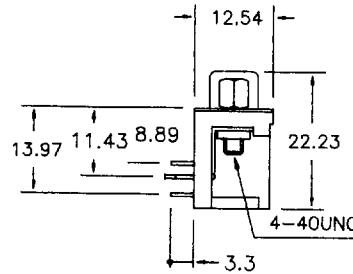
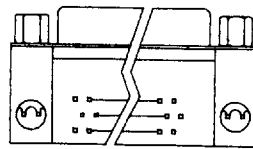
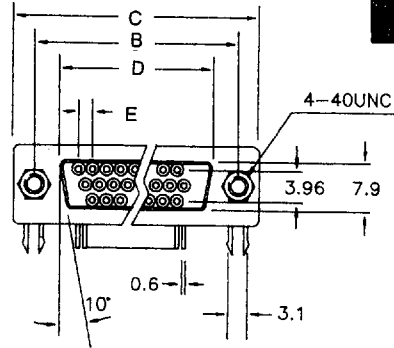
### ORDER INFORMATION

DS-108-XX - X - X - X

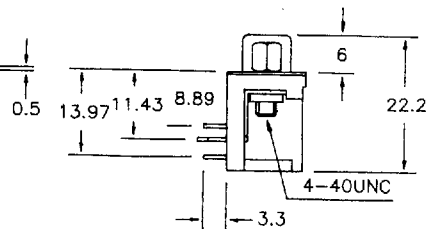
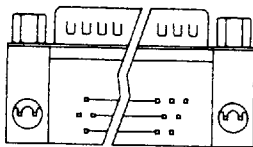
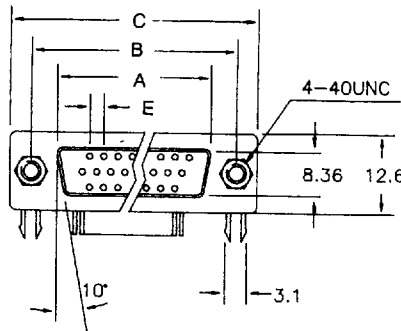


Specifications are subject to change without notice

### Female



### MALE



POS	A	B	C	D	E
15	16.92	24.99	30.81	16.33	2.29
26	25.25	33.32	39.14	24.66	2.29
44	38.96	47.04	53.04	38.38	2.29
62	55.42	63.50	69.32	54.84	2.41