

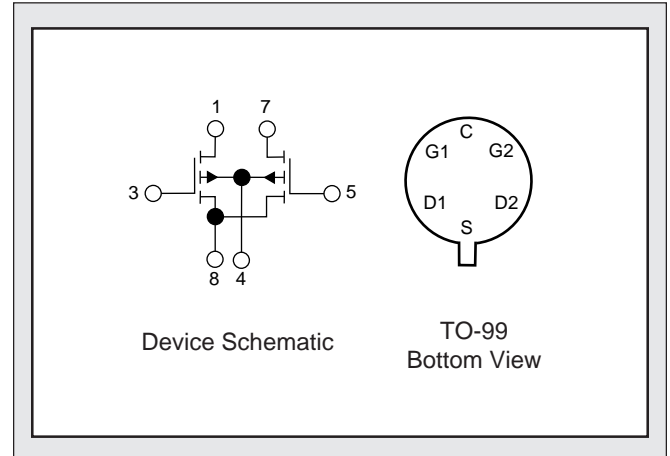
LINEAR SYSTEMS

Linear Integrated Systems

3N165, 3N166

MONOLITHIC DUAL P-CHANNEL
ENHANCEMENT MODE MOSFET

FEATURES	
VERY HIGH INPUT IMPEDANCE	
HIGH GATE BREAKDOWN	
ULTRA LOW LEAKAGE	
LOW CAPACITANCE	
ABSOLUTE MAXIMUM RATINGS (NOTE 1)	
(T _A = 25°C unless otherwise noted)	
Drain-Source or Drain-Gate Voltage (NOTE 2)	
3N165	40 V
3N166	30 V
Transient G-S Voltage (NOTE 3)	
Gate-Gate Voltage	±125 V
Gate-Source Voltage	±80 V
Drain Current (NOTE 2)	
	50 mA
Storage Temperature	
	-65°C to +200°C
Operating Temperature	
	-55°C to +150°C
Lead Temperature (Soldering, 10 sec.)	
	+300°C
Power Dissipation (One Side)	
	300 mW
Total Derating above 25°C	
	4.2 mW/°C



ELECTRICAL CHARACTERISTICS (T_A=25°C and V_{BS}=0 unless otherwise specified)

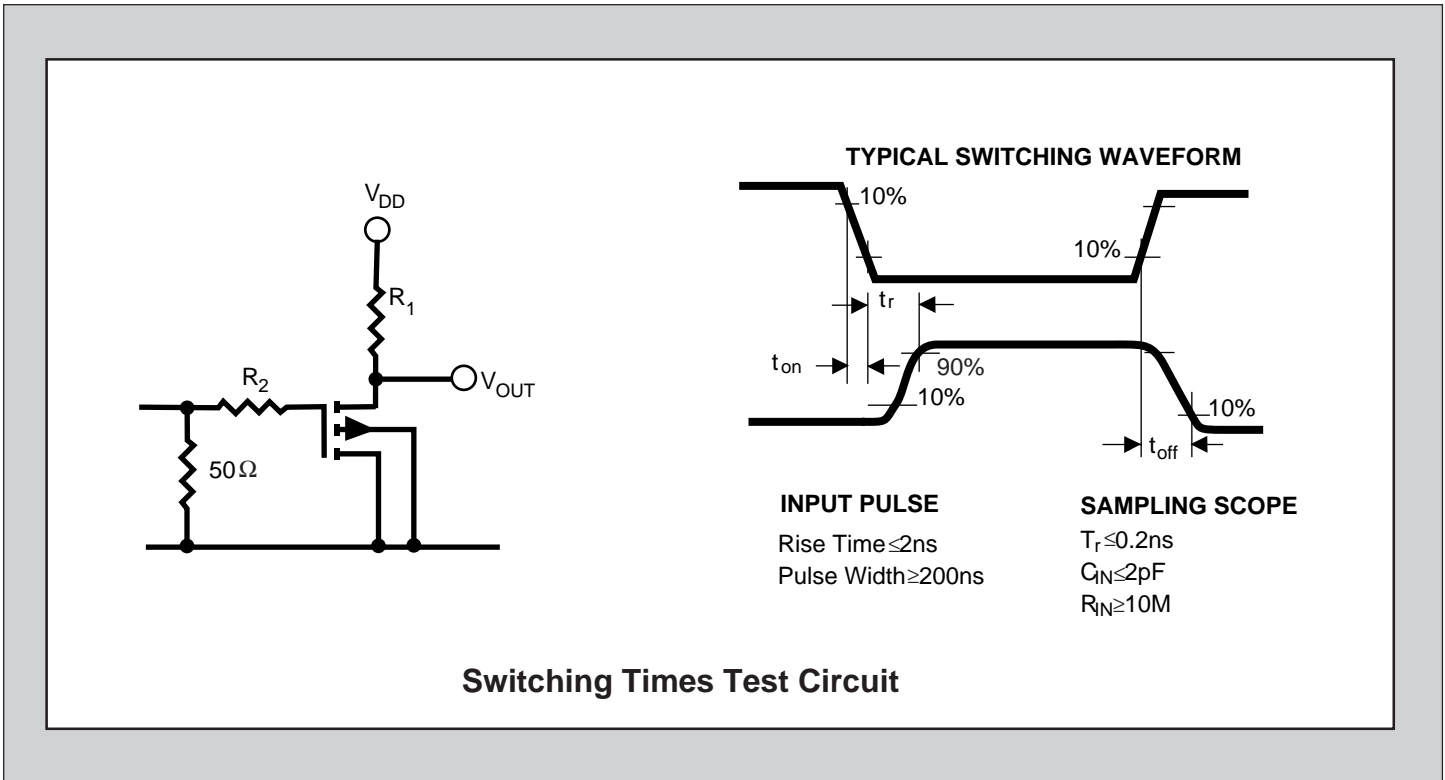
SYMBOL	CHARACTERISTICS	LIMITS		UNITS	CONDITIONS		
		MIN.	MAX.				
I _{GSSR}	Gate Reverse Leakage Current	--	10	pA	V _{GS} = 40 V		
I _{GSSF}	Gate Forward Leakage Current	--	-10		V _{GS} = -40 V		
		--	-25		T _A = +125°C		
I _{DSS}	Drain to Source Leakage Current	--	-200		V _{DS} = -20 V		
I _{SDS}	Source to Drain Leakage Current	--	-400	V _{SD} = -20 V	V _{DB} = 0		
I _{D(on)}	On Drain Current	-5	-30	mA	V _{DS} = -15 V	V _{GS} = -10 V	
V _{GS(th)}	Gate Source Threshold Voltage	-2	-5	V	V _{DS} = -15 V	I _D = -10 μA	
V _{GS(th)}	Gate Source Threshold Voltage	-2	-5	V	V _{DS} = V _{GS}	I _D = -10 μA	
r _{DS(on)}	Drain Source ON Resistance	--	300	ohms	V _{GS} = -20 V	I _D = -100 μA	
g _{fs}	Forward Transconductance	1500	3000	μS	V _{DS} = -15 V	I _D = -10 mA	f = 1 kHz
g _{os}	Output Admittance	--	300	μS			
C _{iss}	Input Capacitance	--	3.0	pF			
C _{rss}	Reverse Transfer Capacitance	--	0.7		V _{DS} = -15 V	I _D = -10 mA	f = 1 MHz
C _{oss}	Output Capacitance	--	3.0		(NOTE 4)		
R _E (Y _{fs})	Common Source Forward Transconductance	1200	--	μS	V _{DS} = -15 V	I _D = -10 mA	f = 100 MHz
					(NOTE 4)		

Linear Integrated Systems

4042 Clipper Ct., Fremont, CA 94538 TEL: (510) 490-9160 • FAX: (510) 353-0261

MATCHING CHARACTERISTICS 3N165

SYMBOL	CHARACTERISTICS	LIMITS		UNITS	CONDITIONS
		MIN.	MAX.		
Y_{fs1}/Y_{fs2}	Forward Transconductance Ratio	0.90	1.0		$V_{DS} = -15\text{ V}$ $I_D = -500\ \mu\text{A}$ $f = 1\text{kHz}$
V_{GS1-2}	Gate Source Threshold Voltage Differential	--	100	mV	$V_{DS} = -15\text{ V}$ $I_D = -500\ \mu\text{A}$
$\Delta V_{GS1-2}/\Delta T$	Gate Source Threshold Voltage Differential Change with Temperature	--	100	$\mu\text{V}/^\circ\text{C}$	$V_{DS} = -15\text{ V}$ $I_A = -500\ \mu\text{A}$ $T_A = -55^\circ\text{C}$ to $+25^\circ\text{C}$



NOTES:

- MOS field-effect transistors have extremely high input resistance and can be damaged by the accumulation of excess static charge. To avoid possible damage to the device while wiring, testing, or in actual operation, follow these procedures:
To avoid the build-up of static charge, the leads of the devices should remain shorted together with a metal ring except when being tested or used. Avoid unnecessary handling. Pick up devices by the case instead of the leads. Do not insert or remove devices from circuits with the power on, as transient voltages may cause permanent damage to the devices.
- Per transistor.
- Devices must not be tested at $\pm 125\text{V}$ more than once, nor for longer than 300ms.
- For design reference only, not 100% tested.

Stresses above those listed under "Absolute Maximum Ratings" may cause permanent damage to the device. These are stress ratings only and functional operation of the device at these or any other conditions above those indicated in the operational sections of the specifications is not implied. Exposure to absolute maximum rating conditions for extended periods may affect device reliability.