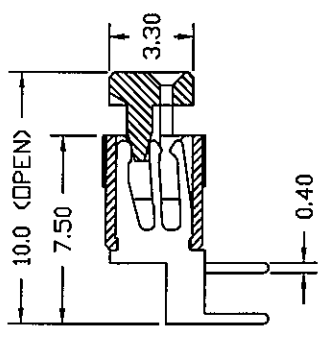
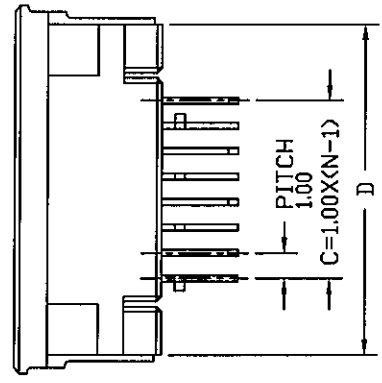
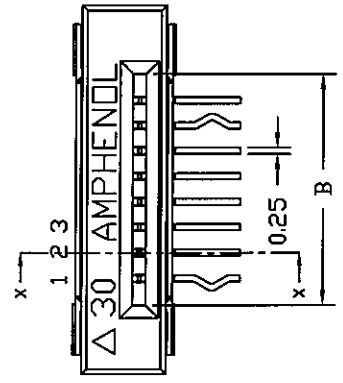


This drawing is the property of Amphenol. Dimensions and tolerances are given in millimeters. For conversion to inches, use the following conversion factors: 1 inch = 25.4 mm. All dimensions are given in millimeters unless otherwise specified. For conversion to inches, use the following conversion factors: 1 inch = 25.4 mm. All dimensions are given in millimeters unless otherwise specified.

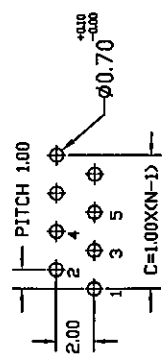
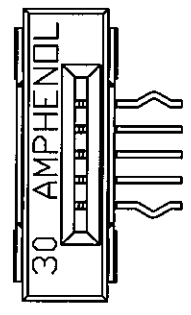


SECTION X-X

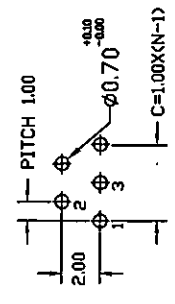
CONTACT CONFIGURATION FOR EVEN POSITION



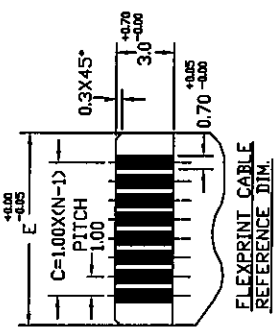
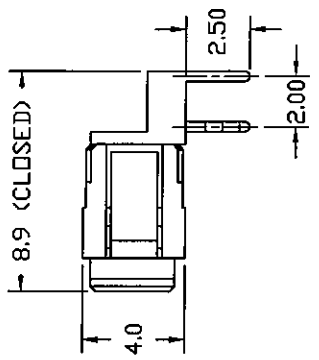
CONTACT CONFIGURATION FOR ODD POSITION



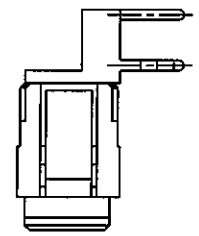
RECOMMENDED PCB LAYOUT FOR EVEN POSITION



RECOMMENDED PCB LAYOUT FOR ODD POSITION



FLEXPRINT CABLE REFERENCE DIM.



PART NUMBER SYSTEM
C007-10X-XXX-X/X 0 X

FPC SERIES
 FLEXPRINT THK=0.3MM
 PITCH
 B : 1.00 MM
 E : 1.25 MM
 NO. OF WAYS
 N : SEE TABLE I

CONTACT PLATING
 0 : TIN/LEAD
 1 : GOLD FLASH

TERMINATIONS
 -0X01 : DIP SOLDER PIN, STRAIGHT
 -1X01 : DIP SOLDER PIN, RIGHT ANGLED
 -0X02 : SMT PIN, RIGHT ANGLED
 -1X02 : SMT PIN, STRAIGHT

VARIATION

-TABLE I-

| PART NUMBERS | NO. OF WAYS (N) | A | B | C | D | E |
|-------------------|-----------------|-------|-------|-------|-------|-------|
| C007-10B-005-1001 | 5 | 11.50 | 6.10 | 4.00 | 10.00 | 6.10 |
| C007-10B-008-1001 | 8 | 14.50 | 9.10 | 7.00 | 13.00 | 9.10 |
| C007-10B-010-1001 | 10 | 16.50 | 11.10 | 9.00 | 15.00 | 11.10 |
| C007-10B-012-1001 | 12 | 18.50 | 13.10 | 11.00 | 17.00 | 13.10 |
| C007-10B-014-1001 | 14 | 20.50 | 15.10 | 13.00 | 19.00 | 15.10 |
| C007-10B-016-1001 | 16 | 22.50 | 17.10 | 15.00 | 21.00 | 17.10 |
| C007-10B-017-1001 | 17 | 23.50 | 18.10 | 16.00 | 22.00 | 18.10 |
| C007-10B-018-1001 | 18 | 24.50 | 19.10 | 17.00 | 23.00 | 19.10 |
| C007-10B-020-1001 | 20 * | 26.50 | 21.10 | 19.00 | 25.00 | 21.10 |
| C007-10B-021-1001 | 21 * | 27.50 | 22.10 | 20.00 | 26.00 | 22.10 |
| C007-10B-022-1001 | 22 * | 28.50 | 23.10 | 21.00 | 27.00 | 23.10 |
| C007-10B-024-1001 | 24 * | 30.50 | 25.10 | 23.00 | 29.00 | 25.10 |
| C007-10B-025-1001 | 25 | 31.50 | 26.10 | 24.00 | 30.00 | 26.10 |
| C007-10B-026-1001 | 26 | 32.50 | 27.10 | 25.00 | 31.00 | 27.10 |
| C007-10B-030-1001 | 30 | 36.50 | 31.10 | 29.00 | 35.00 | 31.10 |

* PENDING

UNLESS OTHERWISE SPECIFIED
 TOLERANCES
 U.S. METRIC
 X ±.015
 Y ±.015
 Z ±.015
 ANGLES ±.1°
 SEE NOTES

APPROVAL DATE
 DRAWN Y.M. LEE
 CHECKED Y.M. LEE
 APPR. Y.M. LEE
 APPR. Y.M. LEE

REMOVE SHARP EDGES
 DIMENSIONS
 INCHES
 OMM

ANGLE OF PROJECTION

Amphenol
 Amphenol East Asia Limited
 Manufacturing Operation

TITLE
 FPC, RIGHT ANGLE
 DIP, SOLDER PIN

SIZE DRAWING NO.
 B C007-10B-XXX-1X01 A

SCALE NONE

SHEET 1 OF 1

| REV. NO. | DATE | DESCRIPTION |
|----------|---------|-----------------------------------|
| B | 1/19/82 | RELEASED TO PRODUCTION ECN# HKS85 |

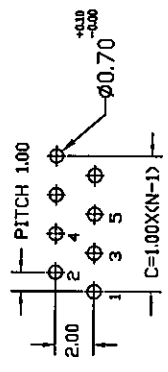
PART NUMBER SYSTEM
 C007-10X-XXX-X X 0 X

FPC SERIES
 FLEXPRINT
 THK=0.3MM
 PITCH
 B : 1.00 MM
 E : 1.25 MM
 NO. OF WAYS
 N : SEE TABLE I

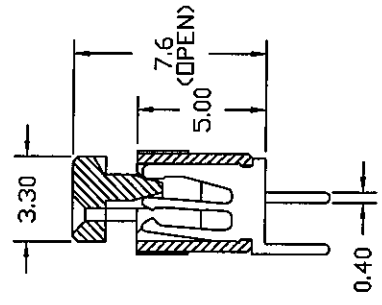
TERMINATIONS
 -0X01 : DIP SOLDER PIN, STRAIGHT
 -1X01 : DIP SOLDER PIN, RIGHT ANGLED
 -0X02 : SMT PIN, RIGHT ANGLED
 -1X02 : SMT PIN, STRAIGHT

CONTACT PLATING
 0 : TIN/LEAD
 1 : GOLD FLASH

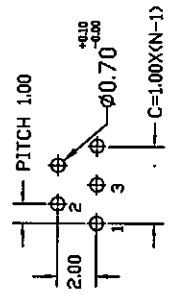
VARIATION



RECOMMENDED PCB LAYOUT FOR EVEN POSITION

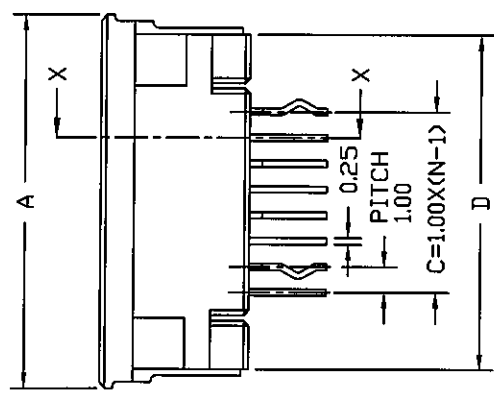
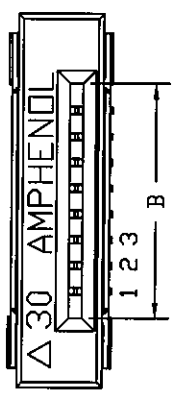


SECTION X-X

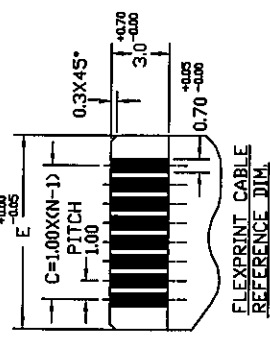


RECOMMENDED PCB LAYOUT FOR ODD POSITION

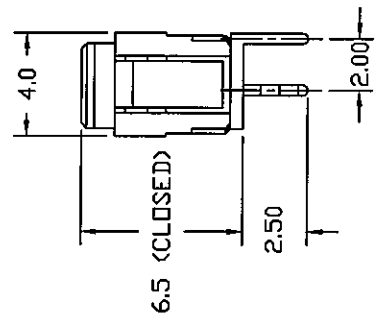
CONTACT CONFIGURATION FOR EVEN POSITION



CONTACT CONFIGURATION FOR ODD POSITION



FLEXPRINT CABLE REFERENCE DIM.



6.5 (CLOSED)

TABLE I-

| PART NUMBERS | NO. OF WAYS (N) | A | B | C | D | E |
|-------------------|-----------------|-------|-------|-------|-------|-------|
| C007-10B-005-0001 | 5 | 11.50 | 6.10 | 4.00 | 10.00 | 6.10 |
| C007-10B-008-0001 | 8 | 14.50 | 9.10 | 7.00 | 13.00 | 9.10 |
| C007-10B-010-0001 | 10 | 16.50 | 11.10 | 9.00 | 15.00 | 11.10 |
| C007-10B-012-0001 | 12 | 18.50 | 13.10 | 11.00 | 17.00 | 13.10 |
| C007-10B-014-0001 | 14 | 20.50 | 15.10 | 13.00 | 19.00 | 15.10 |
| C007-10B-016-0001 | 16 | 22.50 | 17.10 | 15.00 | 21.00 | 17.10 |
| C007-10B-017-0001 | 17 | 23.50 | 18.10 | 16.00 | 22.00 | 18.10 |
| C007-10B-018-0001 | 18 | 24.50 | 19.10 | 17.00 | 23.00 | 19.10 |
| C007-10B-020-0001 | 20 | 26.50 | 21.10 | 19.00 | 25.00 | 21.10 |
| C007-10B-021-0001 | 21 | 27.50 | 22.10 | 20.00 | 26.00 | 22.10 |
| C007-10B-022-0001 | 22 | 28.50 | 23.10 | 21.00 | 27.00 | 23.10 |
| C007-10B-024-0001 | 24 | 30.50 | 25.10 | 23.00 | 29.00 | 25.10 |
| C007-10B-025-0001 | 25 | 31.50 | 26.10 | 24.00 | 30.00 | 26.10 |
| C007-10B-026-0001 | 26 | 32.50 | 27.10 | 25.00 | 31.00 | 27.10 |
| C007-10B-030-0001 | 30 | 36.50 | 31.10 | 29.00 | 35.00 | 31.10 |

* PENDING

UNLESS OTHERWISE SPECIFIED TOLERANCES U.S. METRIC

X ±.010
 XX ±.005
 XXX ±.002
 ANGLES ±.1°

FINISHES: 1
 SEE TABLE I

REMOVE SHARP EDGES

DIMENSIONS: INCHES, MM

APPROVAL: [Signature] DATE: [Date]

DRAWN: Y.M. LEE
 CHECKED: H.M. LEE

Amphenol
 Approved East Asia Limited
 Manufacturing Department

TITLE: FPC, STRAIGHT DIP SOLDER PIN

SIZE DRAWING NO.: B C007-10B-XXX-0X01

SCALE: NONE

SHEET 1 OF 1