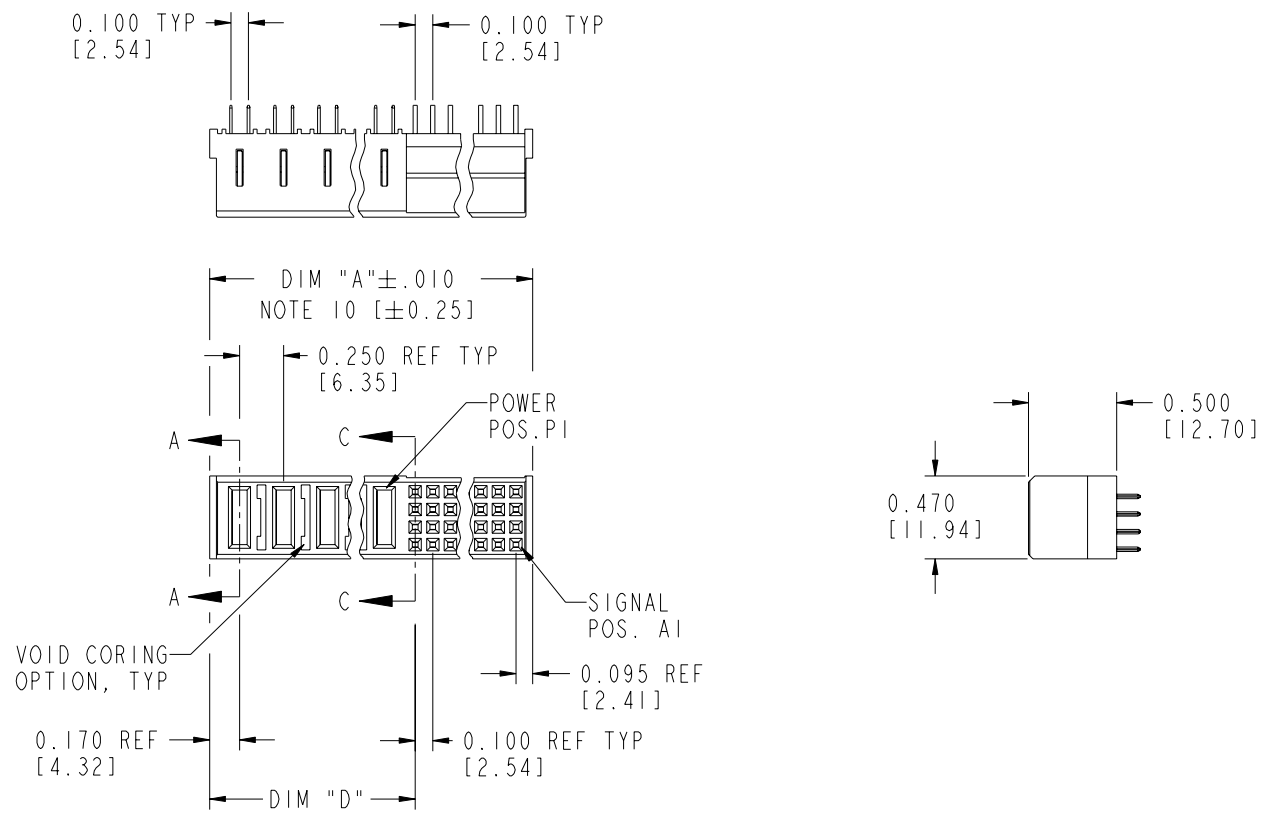


Tous droits strictement réservés. Reproduction ou communication à des tiers interdite sous quelque forme que ce soit sans autorisation écrite du propriétaire. Propriété de c FCI. Droits de reproduction FCI.

All rights strictly reserved. Reproduction or issue to third parties in any form whatever is not permitted without written authority from the proprietor. Property of FCI. Copyright FCI.

PRODUCT NUMBER
51745-A00CCDDE0_
SEE NOTE 1



A
FCI

B

mat'l code				SEE NOTE 2	tolerances unless otherwise specified		CUSTOMER	A FCI		www.fciconnect.com
ltr	ecn no.	dr	date	linear	.xx±.01/0.X±0.3	COPY				
H	DG05-0471	CS	11/16/05	angles	.xxx±.005/0.xxx±0.13	projection	VERTICAL RECEPTACLE w/o GUIDE PIN SIGNAL / POWER			
				dr	.xxx±.0020/.xxx±.051	INCH/MM	product family		PwrBlade	code
				enr	0°±2°	scale	size		dwg no	213
				chr		1:1	A		51745	sheet
				appd						1 OF 3
sheet index	revision sheet	H	H	H						
		1	2	3						

cage code 22526

Pro/E

PDM: Rev:H

STATUS Released

Printed: Oct 07, 2006

Tous droits strictement réservés. Reproduction ou communication à des tiers interdite sous quelque forme que ce soit sans autorisation écrite du propriétaire. Propriété de c FCI. Droits de reproduction FCI.

All rights strictly reserved. Reproduction or issue to third parties in any form whatever is not permitted without written authority from the proprietor. Property of FCI. Copyright FCI.

PRODUCT NUMBER	DIM	LENGTH FORMULAS (SEE NOTE 10)
51745-A00CCCDDE0_	DIM "A"	.250 [6.35] x DD + .100 [2.54] x (CCC/4) + .090 [2.29] (NOTE 10)
SEE NOTE 1	DIM "D"	.250 [6.35] x DD + .095 [2.41]
	DIM "F"	.250 [6.35] x DD + .100 [2.54] x (CCC/4) + .120 [3.05]
	DIM "G"	.250 [6.35] x DD - .025 [0.64]

CONNECTOR NOTES

- PRODUCT NUMBER CODE:
, 1 (2.54um SnPb ON PCB INTERFACE), 7 (ADD THIS SUFFIX: 78u"/>, 4 (2.00um Sn OR 5u" Au ON PCB INTERFACE), 5 (ALWAYS '0' (ZERO) (NOTE 8)), A (TAIL OPTIONS (NOTE 7)), 0 (NUMBER OF LEFT END POWER CONTACTS (NOTE 6)), 0 (NUMBER OF SIGNAL CONTACTS (NOTE 5)), C (ALWAYS '00' (ZERO, ZERO) (NOTE 4)), C (PLATING (NOTE 3)), D (BASE NUMBER), D (E), 0 (LF).
- HOUSING MATERIAL: GLASS FILLED V-O HIGH TEMP THERMO PLASTIC.
 SIGNAL CONTACT MATERIAL: COPPER ALLOY
 POWER CONTACT MATERIAL: COPPER ALLOY
- PLATING OPTION:
 1 = SIGNAL CONTACTS: 50u" / 1.27um Ni UNDER ALL; 30u" / 0.76um Au ON THE CONTACT AREA AND WITH 100u"/2.54um SnPb OR 78u"/2.00um Sn ON PCB INTERFACE
 POWER CONTACTS: 50u" / 1.27um Ni UNDER ALL; WITH 30u" / 76um Au ON CONTACT AREA WITH 100u"/2.54um SnPb OR 78u"/2.00um Sn ON PCB INTERFACE
 3 = SIGNAL CONTACTS: 50u" / 1.27um Ni UNDER ALL; 30u" / 0.76um Au ON THE CONTACT AREA AND WITH 5u"/0.13um Au ON PCB INTERFACE
 POWER CONTACTS: 50u" / 1.27um Ni UNDER ALL; WITH 30u" / 76um Au ON CONTACT AREA WITH 5u"/0.13um Au ON PCB INTERFACE
- RIGHT END POWER CONTACT, 01 TO 20 AVAILABLE. MAXIMUM OF 20 POWER CONTACTS PER CONNECTOR.
- SIGNAL CONTACTS, 004 TO 148 AVAILABLE.
- THIS PART NOT AVAILABLE WITH RIGHTSIDE POWER CONTACTS.
- TAIL OPTIONS:
 A = .135±.010 [3.43±.25] SOLDER TO BOARD
 C = .135±.010 [3.43±.25] PRESS FIT
- BOARD RETENTION NOT AVAILABLE WITH GUIDELESS ENDS.
- MANUFACTURE'S NAME, P/N, AND DATE CODE TO APPEAR ON THIS SURFACE.
- THE MAXIMUM OVERALL LENGTH (DIM A) OF A PART IS 8.00 [203.2].
- PRODUCT SPECIFICATION GS-12-149.
- REFERENCE 51698 FOR SPECIALS WORKSHEET.

PCB NOTES:

- ALL DIMENSIONS ARE BASIC UNLESS OTHERWISE SPECIFIED.
- ALL THROUGH HOLES ARE LOCATED WITH A TRUE POSITION OF .004 [0.10]
- ALL HOLE DIAMETERS ARE FINISHED HOLE SIZE.
- 0.0453±.001 [1.151±.02] DRILLED HOLES PLATED WITH 0.0003 [0.007] MIN SnPb OVER 0.001 [1.03] TO .003 [0.08] PLATING TO ACHIEVE A .040 ±.003 [1.02 ±.08] HOLE.

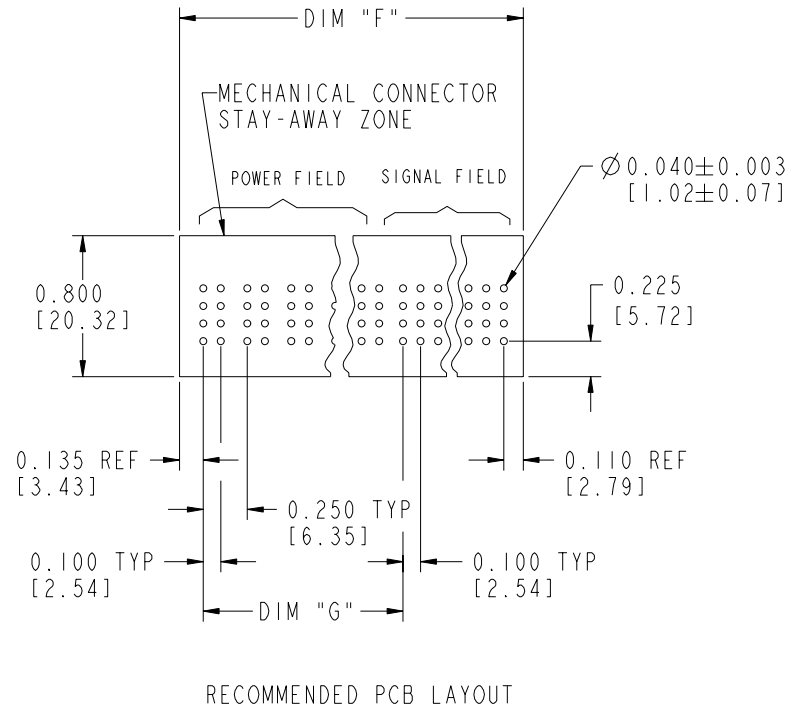
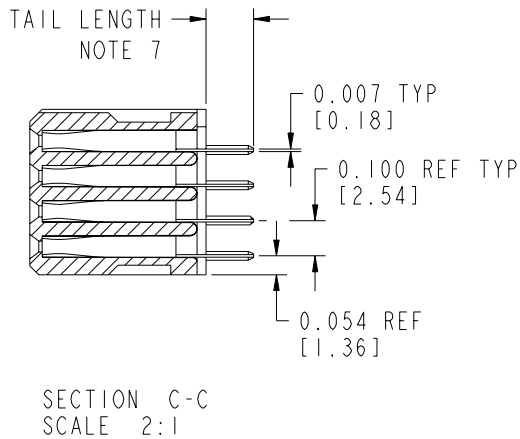
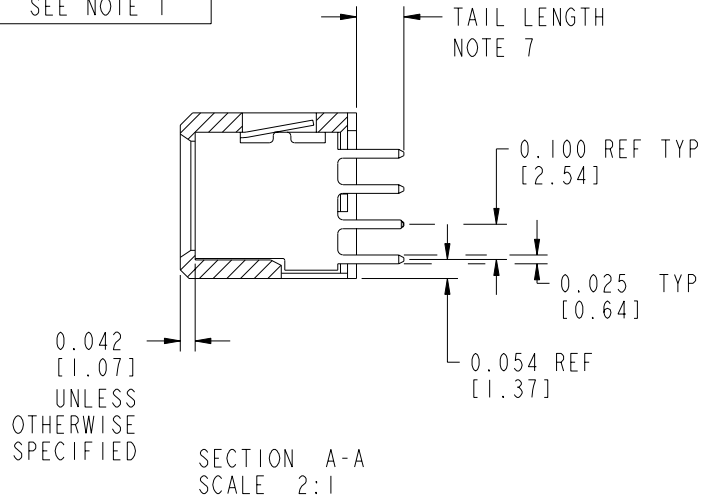
mat'l code				SEE NOTE 2		tolerances unless otherwise specified		CUSTOMER		 www.fciconnect.com	
ltr	ecn no.	dr	date	linear	.xx±.01/0.X±0.3	COPY		projection		VERTICAL RECEPTACLE w/o GUIDE PIN SIGNAL / POWER	
H				angles	.xxx±.005/0.xx±0.13	INCH/MM		product family		code	
				dr	.xxx±.0020/.xxx±.051	scale		PwrBlade		213	
				enr	0°±2°	1:1		size		sheet	
				chr	D. EATON 05-25-99			A		2	
				appd	PROD_ENGR: I DATE_ENGR: I			51745			
					J. BROWN 05-25-99						
sheet index	revision sheet										

cage code 22526 4

Tous droits strictement réservés. Reproduction ou communication à des tiers interdite sous quelque forme que ce soit sans autorisation écrite du propriétaire. Propriété de FCI. Droits de reproduction FCI.

All rights strictly reserved. Reproduction or issue to third parties in any form whatever is not permitted without written authority from the proprietor. Property of FCI. Copyright FCI.

PRODUCT NUMBER
51745-A00CCDDE0__
SEE NOTE 1



mat'l code		SEE NOTE 2		tolerances unless otherwise specified		CUSTOMER		 www.fciconnect.com	
ltr	ecn no.	dr	date	linear	.XX±.01/0.X±0.3	COPY		projection	type
H					.XXX±.005/0.XX±0.13				VERTICAL RECEPTACLE w/o GUIDE PIN
				angles	.XXX±.0020/.XXX±.051				SIGNAL / POWER
				dr	0°±2°	INCH/MM		product family	PwrBlade
				enrg	D. EATON 05-25-99	scale		size	code
				chr	J. BROWN 05-24-99	1:1		51745	213
				appd	J. BROWN 05-25-99			sheet	3
sheet index	revision sheet								

cage code 22526 4

Pro/E

PDM: Rev:H

STATUS Released

Printed: Oct 07, 2006