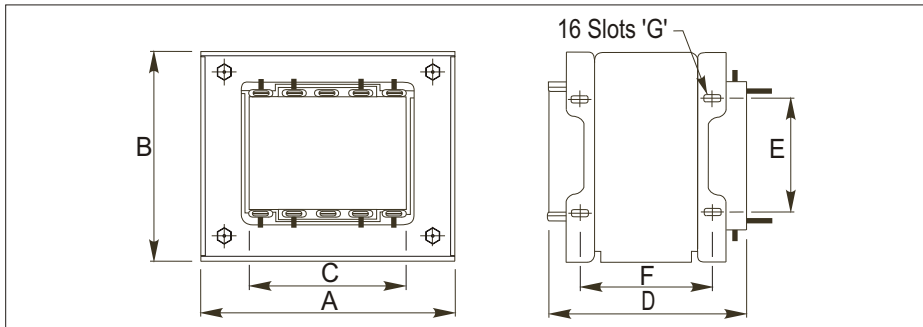


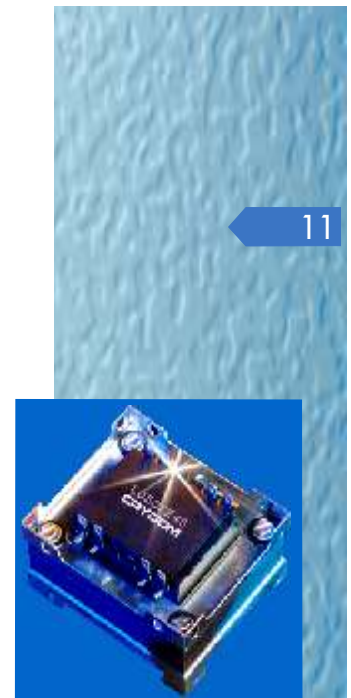
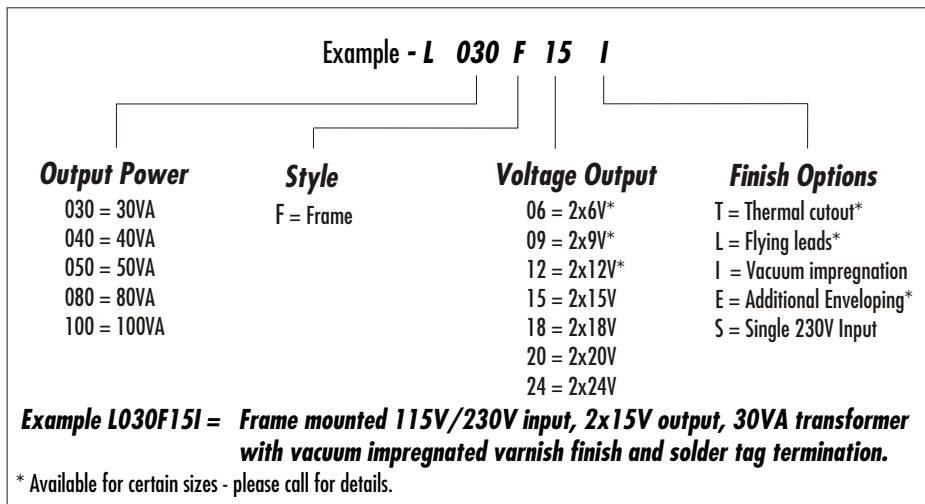
Frame Mount Transformers



Power (VA)	Mass (kg)	Regulation (%)	A (mm)	B (mm)	C* (mm)	D (mm)	E* (mm)	F* (mm)	G (mm)
30	0.64	20	70	59	45	51	45	35	7 x 4
40	0.68	15	70	59	45	60	45	45	7 x 4
50	1	10	79	67	54	56	54	40	8 x 4
80	1.5	9	89	75	57	64	57	43	8 x 4.7
100	2.0	6	99	83	64	71	64	43	8 x 4.7

*Recommended fixing centres

Part Numbering System



- Input voltages, single 230V or dual 115V/230V 50/60Hz
- Reinforced insulation - tested at 3kVrms
- Transformers dip coated in varnish as standard
- Solder tag terminations
- Operational ambient temperature range -20°C to +50°C

USA

CRYDOM

T +1 619 210 1600

F +1 619 710 8540

E sales@crydom.com

W www.crydom.com

frame mount transformers

