



# W005M THRU W10M

## SINGLE PHASE 1.5 AMPS. SILICON BRIDGE RECTIFIERS



### FEATURES

- \* Ideal for printed circuit board
- \* High Surge Current Capability
- \* Reliable low cost construction technique results in inexpensive product

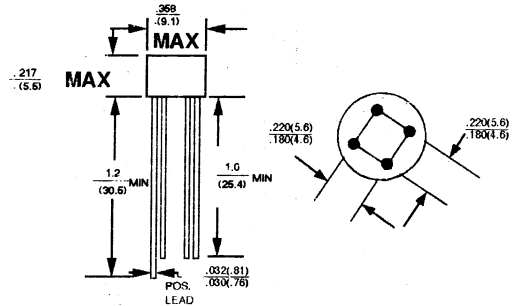
### VOLTAGE RANGE

50 to 1000 Volts

CURRENT

1.5 Amperes

### WOB



Dimensions in inches and (millimeters)

### MAXIMUM RATINGS AND ELECTRICAL CHARACTERISTICS

Rating at 25°C ambient temperature unless otherwise specified.

Single phase, half wave, 60 Hz, resistive or inductive load.

For capacitive load, derate current by 20%

TYPE NUMBER	SYMBOLS	W005M	W01M	W02M	W04M	W06M	W08M	W10M	UNITS
Maximum Recurrent Peak Reverse Voltage	$V_{RRM}$	50	100	200	400	600	800	1000	V
Maximum RMS Bridge Input Voltage	$V_{RMS}$	35	70	140	280	420	560	700	V
Maximum D. C Blocking Voltage	$V_{DC}$	50	100	200	400	600	800	1000	V
Maximum Average Forward Rectified Current @ $T_A = 50^\circ\text{C}$	$I_{F(AV)}$	1.5							A
Peak Forward Surge Current, 8.3 ms single half sine-wave superimposed on rated load (JEDEC method)	$I_{FSM}$	30							A
Maximum Forward Voltage Drop per element @ 1.0A	$V_F$	1.10							V
Maximum Reverse Current at Rated @ $T_A = 25^\circ\text{C}$ D. C. Blocking Voltage per element @ $T_A = 100^\circ\text{C}$	$I_R$	10 500							$\mu\text{A}$ $\mu\text{A}$
Operating Temperature Range	$T_J$	-55 to +125							$^\circ\text{C}$
Storage Temperature Range	$T_{STG}$	-55 to +150							$^\circ\text{C}$

## RATINGS AND CHARACTERISTIC CURVES (W005M THRU W10M)

FIG. 1-MAXIMUM NON-REPETITIVE PEAK FORWARD SURGE CURRENT - PER ELEMENT

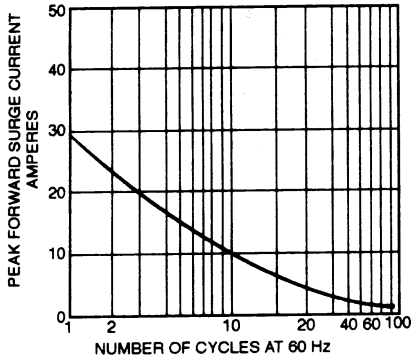


FIG. 2-TYPICAL FORWARD OUTPUT CURRENT DERATING CURVE

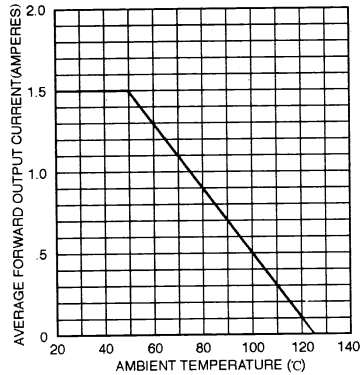


FIG. 3-TYPICAL FORWARD CHARACTERISTICS PER ELEMENT

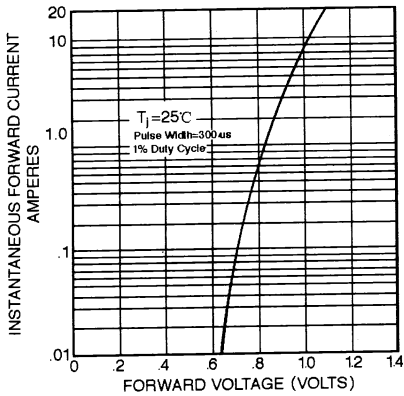


FIG. 4-TYPICAL REVERSE CHARACTERISTICS PER ELEMENT

