

## Series 800 "Mighty Mouse" with UN Mating Thread Printed Circuit Board Receptacle Ordering Info

800-012-02 and 800-012-07



**Series 800 Receptacles** feature gold-plated straight PCB tails or solder cup contacts. Contacts are non-removable.

**Epoxy Sealed** to prevent water ingress in "open face" condition.

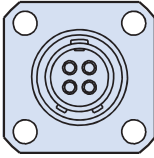
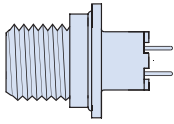
**Two Shell Styles:** jam nut with o-ring for rear panel mounting, or square flange.

**Integral Standoffs** allow clearance for washing.

### Series 800 PCB Receptacle

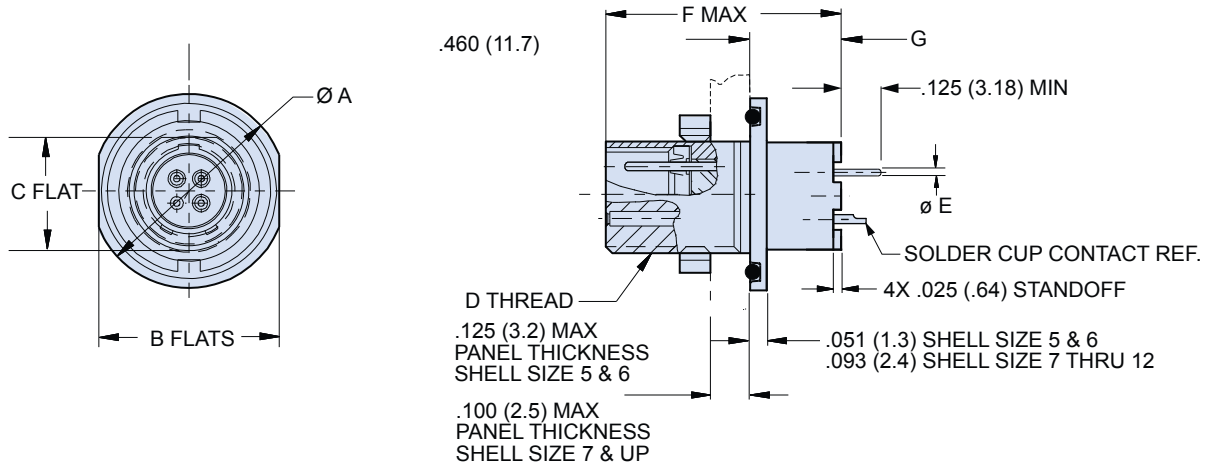
#### HOW TO ORDER

Sample Part Number

800-012	-07	M	7-10	P	Z																																																																																																																																	
Series	Shell Style	Shell Material / Finish	Shell Size- Insert Arrangement	Contact Type	Shell Key Position																																																																																																																																	
<b>800-012</b> PCB Receptacle, Vertical Mount	 <b>-02</b> Square Flange   <b>-07</b> Jam Nut	<b>C</b> Aluminum / Black Anodize (Non-Conductive) RoHS Compliant	<table border="1"> <thead> <tr> <th rowspan="2">Arr.</th> <th colspan="4">No. of Contacts</th> </tr> <tr> <th>#23</th> <th>#20</th> <th>#16</th> <th>#12</th> </tr> </thead> <tbody> <tr><td><b>5-3</b></td><td>3</td><td></td><td></td><td></td></tr> <tr><td><b>6-1</b></td><td></td><td></td><td>1</td><td></td></tr> <tr><td><b>6-4</b></td><td>4</td><td></td><td></td><td></td></tr> <tr><td><b>6-7</b></td><td>7</td><td></td><td></td><td></td></tr> <tr><td><b>7-1</b></td><td></td><td></td><td></td><td>1</td></tr> <tr><td><b>7-10</b></td><td>10</td><td></td><td></td><td></td></tr> <tr><td><b>8-2</b></td><td></td><td></td><td>2</td><td></td></tr> <tr><td><b>8-13</b></td><td>13</td><td></td><td></td><td></td></tr> <tr><td><b>8-200</b></td><td>4</td><td>2</td><td></td><td></td></tr> <tr><td><b>9-4</b></td><td></td><td></td><td>4</td><td></td></tr> <tr><td><b>9-19</b></td><td>19</td><td></td><td></td><td></td></tr> <tr><td><b>9-200</b></td><td>4</td><td></td><td>2</td><td></td></tr> <tr><td><b>9-201</b></td><td>8</td><td>2</td><td></td><td></td></tr> <tr><td><b>10-5</b></td><td></td><td></td><td>5</td><td></td></tr> <tr><td><b>10-26</b></td><td>26</td><td></td><td></td><td></td></tr> <tr><td><b>10-200</b></td><td>12</td><td></td><td></td><td>1</td></tr> <tr><td><b>10-201</b></td><td>4</td><td></td><td></td><td>2</td></tr> <tr><td><b>10-202</b></td><td>8</td><td></td><td>2</td><td></td></tr> <tr><td><b>12-2</b></td><td></td><td></td><td></td><td>2</td></tr> <tr><td><b>12-3</b></td><td></td><td></td><td></td><td>3</td></tr> <tr><td><b>12-7</b></td><td></td><td></td><td>7</td><td></td></tr> <tr><td><b>12-37</b></td><td>37</td><td></td><td></td><td></td></tr> <tr><td><b>12-200</b></td><td>6</td><td></td><td></td><td>2</td></tr> <tr><td><b>12-201</b></td><td>10</td><td></td><td></td><td>2</td></tr> </tbody> </table>	Arr.	No. of Contacts				#23	#20	#16	#12	<b>5-3</b>	3				<b>6-1</b>			1		<b>6-4</b>	4				<b>6-7</b>	7				<b>7-1</b>				1	<b>7-10</b>	10				<b>8-2</b>			2		<b>8-13</b>	13				<b>8-200</b>	4	2			<b>9-4</b>			4		<b>9-19</b>	19				<b>9-200</b>	4		2		<b>9-201</b>	8	2			<b>10-5</b>			5		<b>10-26</b>	26				<b>10-200</b>	12			1	<b>10-201</b>	4			2	<b>10-202</b>	8		2		<b>12-2</b>				2	<b>12-3</b>				3	<b>12-7</b>			7		<b>12-37</b>	37				<b>12-200</b>	6			2	<b>12-201</b>	10			2	<b>P</b> Pin	<b>N</b> Normal
		Arr.	No. of Contacts																																																																																																																																			
			#23	#20	#16	#12																																																																																																																																
		<b>5-3</b>	3																																																																																																																																			
		<b>6-1</b>			1																																																																																																																																	
		<b>6-4</b>	4																																																																																																																																			
		<b>6-7</b>	7																																																																																																																																			
		<b>7-1</b>				1																																																																																																																																
		<b>7-10</b>	10																																																																																																																																			
		<b>8-2</b>			2																																																																																																																																	
		<b>8-13</b>	13																																																																																																																																			
		<b>8-200</b>	4	2																																																																																																																																		
		<b>9-4</b>			4																																																																																																																																	
		<b>9-19</b>	19																																																																																																																																			
		<b>9-200</b>	4		2																																																																																																																																	
		<b>9-201</b>	8	2																																																																																																																																		
		<b>10-5</b>			5																																																																																																																																	
		<b>10-26</b>	26																																																																																																																																			
		<b>10-200</b>	12			1																																																																																																																																
<b>10-201</b>	4			2																																																																																																																																		
<b>10-202</b>	8		2																																																																																																																																			
<b>12-2</b>				2																																																																																																																																		
<b>12-3</b>				3																																																																																																																																		
<b>12-7</b>			7																																																																																																																																			
<b>12-37</b>	37																																																																																																																																					
<b>12-200</b>	6			2																																																																																																																																		
<b>12-201</b>	10			2																																																																																																																																		
		<b>M</b> Aluminum / Electroless Nickel RoHS Compliant		<b>S</b> Socket	<b>X</b> Pos. X																																																																																																																																	
		<b>NF</b> Aluminum / Cadmium with Olive Drab Chromate		<b>E</b> Pin, Solder Cup	<b>Y</b> Pos. Y																																																																																																																																	
		<b>ZN</b> Aluminum / Zinc-Nickel with Olive Drab Chromate		<b>F</b> Socket, Solder Cup	<b>Z</b> Pos. Z																																																																																																																																	
		<b>UCR</b> Aluminum / Zinc-Cobalt with Black Chromate RoHS Compliant																																																																																																																																				
		<b>ZNU</b> Aluminum / Zinc-Nickel with Black Chromate																																																																																																																																				
		<b>MT</b> Aluminum / Nickel-PTFE RoHS Compliant																																																																																																																																				
		<b>Z1</b> Stainless Steel / Passivated RoHS Compliant																																																																																																																																				

Dimensions in inches (millimeters) and are subject to change without notice.

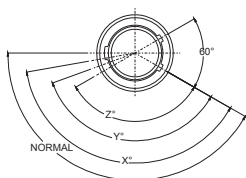
# Series 800 "Mighty Mouse" with UN Mating Thread Printed Circuit Board Receptacle Dimensions Jam Nut Receptacle 800-012-07



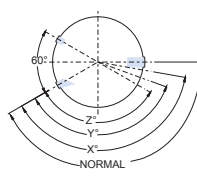
## DIMENSIONS

Shell Size	Ø A		Ø B		C		D Threads Mating	Ø E Tail Dia.	F Max		G	
	In.	mm.	In.	mm.	In.	mm.			In.	mm.	In.	mm.
5	.541	13.74	.500	12.70	.285	7.24	.3125-28 UN-2A	#23	.725	18.42	.247	6.27
6	.610	15.49	.562	14.27	.352	8.94	.3750-28 UN-2A		.018/.022 (0.46/0.56)	.725	18.42	.247
7	.670	17.02	.635	16.13	.411	10.44	.4375-28 UNEF-2A	#20	.700	17.78	.205	5.21
8	.775	19.69	.735	18.67	.473	12.01	.5000-32 UN-2A		.024/.028 (0.61/0.71)	.700	17.78	.205
9	.875	22.23	.806	20.47	.530	13.46	.5625-32 UN-2A	#16	.700	17.78	.205	5.21
10	.980	24.89	.940	23.88	.604	15.34	.6250-32 UN-2A		.060/.064 (1.52/1.63)	.700	17.78	.205
12	1.062	26.97	.986	25.04	.712	18.08	.7500-28 UN-2A	#12	.700	17.78	.205	5.21
									.092/.096 (2.34/2.44)	.700	17.78	.205

## SERIES 800 KEY POSITIONS



Plug

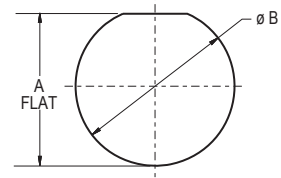


Receptacle

Key Position	Key Rotation
Normal (N)	150°
X	140°
Y	130°
Z	120°

Shell size 5 and 6: master key is located at top dead center for normal (N) position. Shell size 7 thru 12: master key is rotated 90° from TDC for normal position.

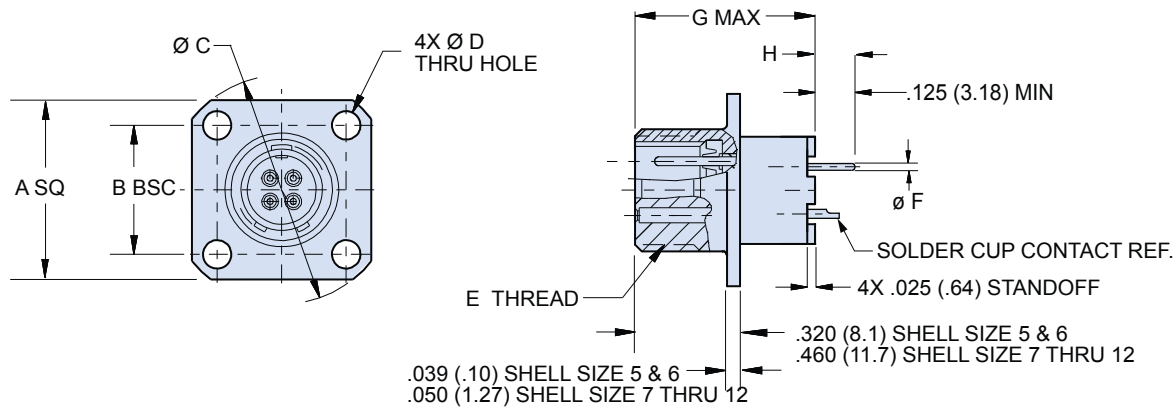
## SERIES 800 PANEL CUTOUTS



Shell Size	A Flat		Ø B	
	In.	mm.	In.	mm.
5	.302 / .298	7.67 / 7.57	.318	8.08
6	.365 / .361	9.27 / 9.17	.386	9.80
7	.424 / .420	10.77 / 10.67	.449	11.40
8	.486 / .482	12.34 / 12.24	.510	12.95
9	.543 / .539	13.79 / 13.69	.574	14.58
10	.617 / .613	15.67 / 15.57	.635	16.12
12	.725 / .721	18.42 / 18.31	.760	19.30

Dimensions in inches (millimeters) and are subject to change without notice.

# Series 800 "Mighty Mouse" with UN Mating Thread Printed Circuit Board Receptacle Dimensions Square Flange Receptacle 800-012-02



## DIMENSIONS

Shell Size	A SQ		B		Ø C		Ø D		E Threads Mating	Ø F Tail Dia.	G Max		H	
	In.	mm.	In.	mm.	In.	mm.	± .005	± 0.13			In.	mm.	In.	mm.
5	.527	13.39	.363	9.22	.680	17.27	.094	2.39	.3125-28 UN-2A	#23	.725	18.42	.426	10.82
6	.588	14.92	.423	10.74	.750	19.05	.094	2.39	.3750-28 UN-2A		.018/.022 (0.46/0.56)	.725	18.42	.426
7	.650	16.51	.483	12.27	.830	21.08	.128	3.25	.4375-28 UNEF-2A	#20	.700	17.78	.255	6.48
8	.710	18.03	.542	13.77	.938	23.83	.128	3.25	.5000-32 UN-2A		.024/.028 (0.61/0.71)	.700	17.78	.255
9	.938	23.83	.719	18.26	1.250	31.75	.128	3.25	.5625-32 UN-2A	#16	.700	17.78	.255	6.48
10	.938	23.83	.719	18.26	1.250	31.75	.128	3.25	.6250-32 UN-2A		.060/.064 (1.52/1.63)	.700	17.78	.255
12	1.031	26.19	.812	20.62	1.375	34.93	.128	3.25	.7500-28 UN-2A	#12	.700	17.78	.255	6.48
											.092/.096 (2.34/2.44)	.700	17.78	.255

## SERIES 800 KEY POSITIONS

Key Position	Key Rotation		
Normal (N)	150°	<p>Plug Key Position</p>	<p>Receptacle Key Position</p>
X	140°		
Y	130°		
Z	120°		

Shell size 5 and 6: master key is located at top dead center for normal (N) position. Shell size 7 thru 12: master key is rotated 90° from TDC.

Dimensions in inches (millimeters) and are subject to change without notice.