

FUSES

Non resettable fuses

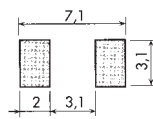
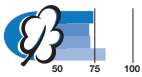
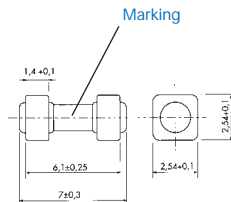
MKF

Surface Mount Fuses Type MKF quick-acting F

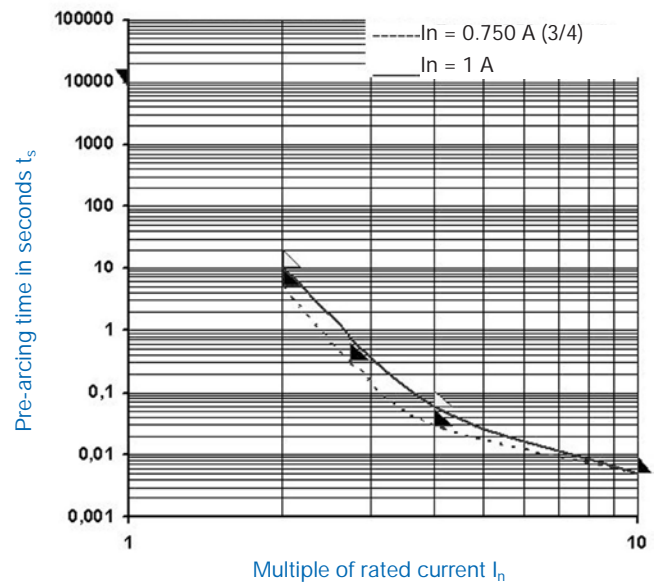
directly solderable on printed circuit boards



1:1



Solder pad



Standards

UL 248-14

Approvals



Pre-arcing time/current characteristic (at T_a 23 °C)

Rated current I _n	n · I _n				
	1 · I _n	2 · I _n	2,75 · I _n	4 · I _n	10 · I _n
I _n ≤ 3/4 A	t ≥ 4 h	t ≤ 5 s	t ≤ 300 ms	t ≤ 30 ms	t ≤ 5 ms
I _n ≥ 1 A	t ≥ 4 h	t ≤ 10 s		t ≤ 60 ms	t ≤ 5 ms

Order No.	Rated current I _n Rated voltage U _n	Breaking capacity	Voltage drop at I _n max.	Sustained power dissipation	Pre-arcing I ² t	Approvals UL CSA	
				at 1 · I _n max. mW	at 10 · I _n A ² s		
7010.9900.XX	63 mA / 125 V	300 A / 125 V AC/DC p.f. / cos φ = 1 L/R = 1 ms	505	32	0,00022		
7010.9901.XX	125 mA / 125 V		590	74	0,0024	• •	
7010.9902.XX	250 mA / 125 V		235	59	0,0061	• •	
7010.9903.XX	375 mA / 125 V		205	77	0,012	• •	
7010.9904.XX	500 mA / 125 V		190	95	0,046	• •	
7010.9905.XX	750 mA / 125 V		170	128	0,09	• •	
7010.9906.XX	1 A / 125 V		155	155	0,11	• •	
7010.9907.XX	1,5 A / 125 V		160	240	0,25	• •	
7010.9908.XX	2 A / 125 V		150	300	0,72	• •	
7010.9909.XX	2,5 A / 125 V		145	363	0,91	• •	
7010.9910.XX	3 A / 125 V		145	435	1,3	• •	
7010.9911.XX	3,5 A / 125 V		140	490	1,7	• •	
7010.9912.XX	4 A / 125 V		135	540	2,6	• •	
7010.9913.XX	5 A / 125 V		125	625	4	• •	
7010.9914.XX	7 A / 125 V		125	875	8,5	• •	
7010.9915.XX	10 A / 65 V		300 A / 65 V AC/DC p.f. / cos φ = 1 L/R = 1 ms	110	1100	31	
7010.9916.XX	12 A / 65 V			110	1320	48	
7010.9917.XX	15 A / 65 V	100		1500	92		

.XX Packaging index

Additional technical data and packaging see page 54

FUSES

Non resettable fuses

172876, MSB, MKF, MKT

Additional technical data

Ambient temperature max. T_a	- 55 °C ÷ + 85 °C
Solderability; Reflow-(infra-red and vapour phase) and wave soldering	235 °C / 2 sec. IEC 60068-2-58 / test Td
Soldering heat resistance	260 °C / 10 sec. IEC 60068-2-58 / test Td
Materials: Housing Terminals	Ceramics Brass, tin-plated
Net weight %	172876, MSB = 7 g for 100 pieces MKf, MKT = 14,5 g for 100 pieces

Packaging

Types 172876 and MSB

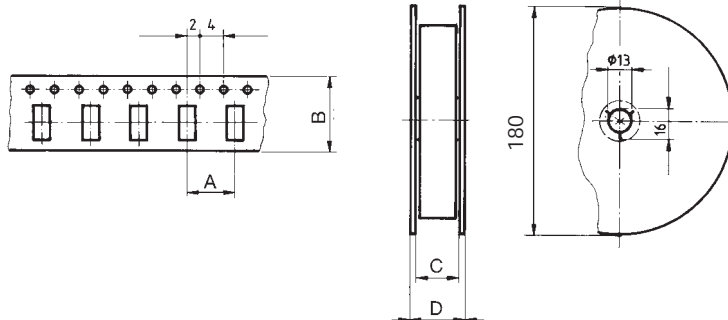
Tube or tape	
Tube of 100 pieces	7010.XXXX.63
Taped and reeled 1500 pieces	7010.XXXX.57
Taped and reeled 5000 pieces	7010.XXXX.59

Types MKF and MKT

Bag or tape	
Bag of 100 pieces	7010.XXXX.03
Taped and reeled 1500 pieces	7010.XXXX.57

Blisertape and reel

according to IEC 60286-3



Types	Dimensions in mm			
	A	B	C (max.)	D (max.)
172876	4	12	12,4	18,4
MSB				
MKF				
MKT				



Suitable surface mount fuseholder see page 177