

MICRO SWITCH
 FREEPORT, ILLINOIS, U.S.A.
 A DIVISION OF HONEYWELL
 FED. MFG. CODE 91929

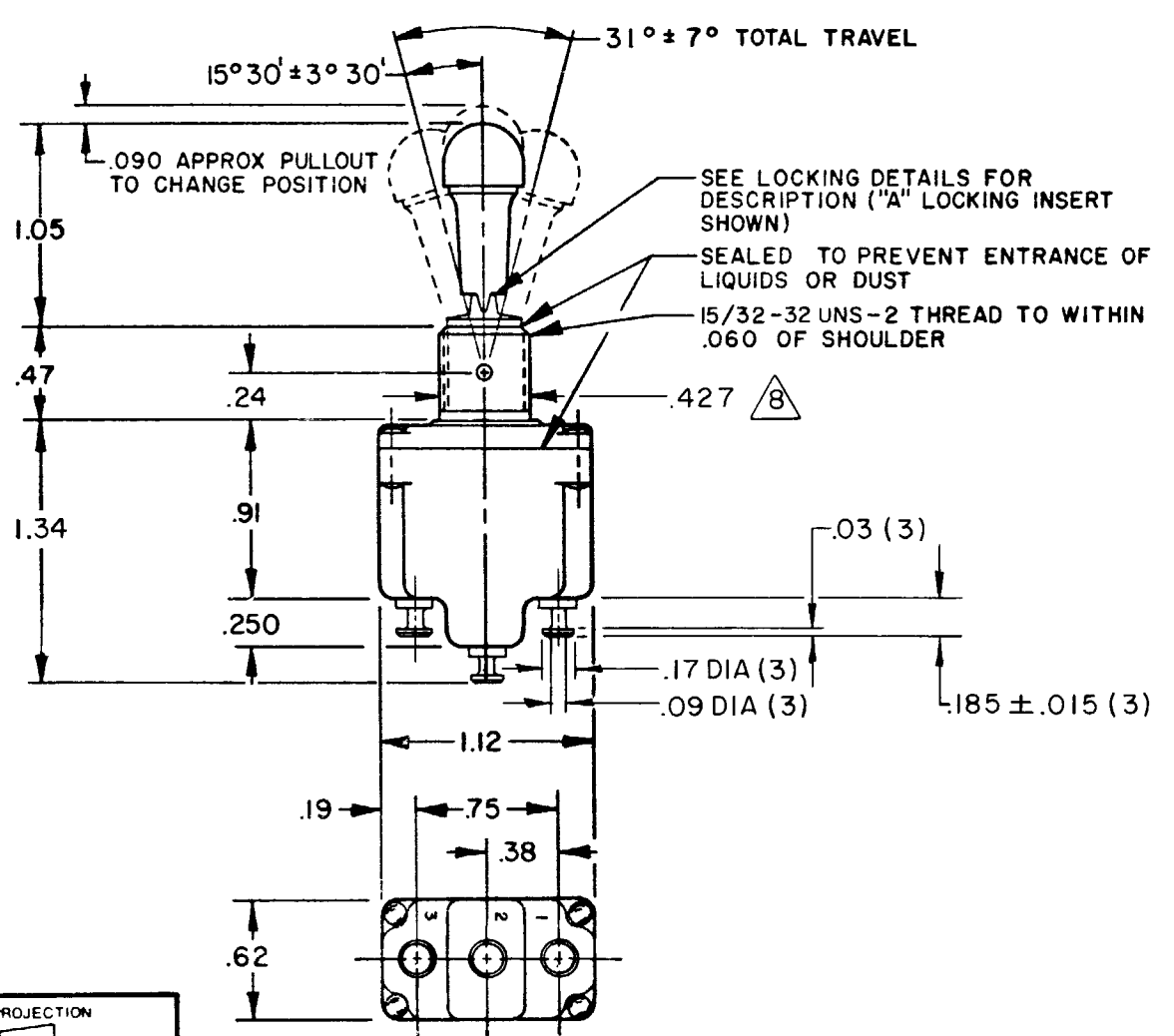
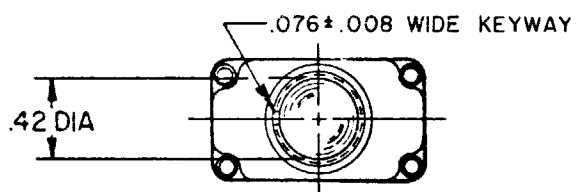
SWITCH-TOGGLE

CATALOG LISTING
11TL1 SERIES
CHART 2

MS NUMBER	CATALOG LISTING	AVAILABLE LOCKING COMBINATIONS FOR CONFIGURATION SEE LETTERED DETAILS	CIRCUIT MADE WITH TOGGLE LEVER IN		
			KEYWAY SIDE (1-2)	CENTER (1-2)	OPPOSITE KEYWAY (2-3)
27737-21	11TL1-1	AB,DE,F,G,H,J,K,L,M,N,P	ON	OFF	ON
27737-22	11TL1-2	D,F,G	OFF	NONE	ON
27737-23	11TL1-3	D,F,G	ON	NONE	ON
27737-24	11TL1-21	E,F,K,M	NONE	OFF	ON
27737-33	11TL1-31	E,F,K,M	NONE	ON	ON
27737-29	11TL1-4	F	MOM OFF	NONE	ON
27737-31	11TL1-5	E,F,K,L,M,N	MOM ON	OFF	ON
27737-30	11TL1-6	F	MOM ON	NONE	OFF
27737-27	11TL1-7	E,L,N	MOM ON	OFF	MOM ON
27737-26	11TL1-8	F	MOM ON	NONE	ON
27737-32	11TL1-51	E	NONE	ON	MOM ON
27737-28	11TL1-61	E	MOM ON	OFF	NONE

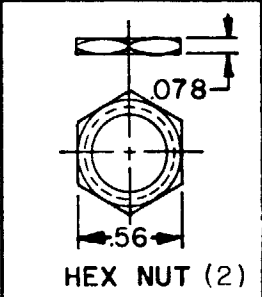
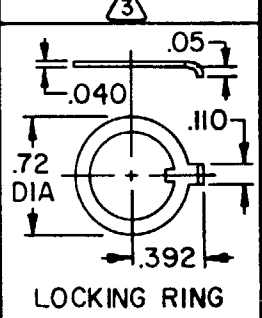
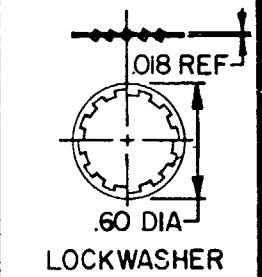
MILITARY RATING (AMPS)								
RESISTIVE LOAD				LAMP LOAD		INDUCTIVE LOAD		
DC VOLTS	IAC VOLTS	DC VOLTS	IAC VOLTS	28 VDC	125 VAC	28 VDC	125 VAC	
28	125	250	125	250	28	125	28	125
20	.75	.5	15	6	5	3	15	10
(REFER TO L191 FOR UL RATING)								
15	.75	.5	15	6	4	2	10	7
(REFER TO L192 FOR UL RATING)								

THIS DRAWING COVERS A PROPRIETARY ITEM AND IS THE PROPERTY OF MICRO SWITCH, A DIVISION OF HONEYWELL. THIS DRAWING IS NOT TO BE COPIED OR USED WITHOUT THE APPROVAL OF MICRO SWITCH.



SEE LOCKING DETAILS FOR DESCRIPTION ("A" LOCKING INSERT SHOWN)
 SEALED TO PREVENT ENTRANCE OF LIQUIDS OR DUST
 15/32-32 UNS-2 THREAD TO WITHIN .060 OF SHOULDER

"A" LOCKED IN THREE POSITIONS	"B" LOCKED IN CENTER AND EXTREME POSITION (KEYWAY SIDE)	"D" LOCKED OUT OF CENTER POSITION	"E" LOCKED IN CENTER POSITION	"F" LOCKED IN EXTREME POSITION (OPPOSITE KEYWAY)
"G" LOCKED IN EXTREME POSITION (KEYWAY SIDE)	"H" LOCKED OUT OF CENTER AND EXTREME POSITION (KEYWAY SIDE)	"J" LOCKED OUT OF CENTER AND EXTREME POSITION (OPPOSITE KEYWAY)	"K" LOCKED IN CENTER AND EXTREME POSITION (OPPOSITE KEYWAY)	"L" LOCKED OUT OF EXTREME POSITION (KEYWAY SIDE)
"M" LOCKED OUT OF AND INTO EXTREME POSITION (OPPOSITE KEYWAY)	"N" LOCKED OUT OF EXTREME POSITION (OPPOSITE KEYWAY)	"P" LOCKED OUT OF AND INTO EXTREME POSITION (KEYWAY SIDE)		



NOTES

- SWITCHES ARE CAPABLE OF WITHSTANDING A TEMPERATURE OF 160°F CONTINUOUSLY AT FULL RATED LOAD
- CIRCUIT DESIGNATION, MICRO SWITCH CATALOG LISTING, DATE CODE, UL RATING AND MS NUMBER IDENTIFIED ON SIDE OF SWITCH
- FURNISHED UNASSEMBLED
- FOR TERMINAL COVER, SEE MICRO SWITCH CATALOG LISTING 5PA7
- KEYWAY SHOWN ON LEFT SIDE
- SUFFIX LETTER MUST BE ADDED FOR DESIRED TYPE OF TOGGLE LOCKING. SEE CHART FOR AVAILABLE LOCKING COMBINATIONS
- APPLIES ONLY TO "ON" AND "MOMENTARY ON" POSITIONS
- FROM BOTTOM OF KEYWAY TO MAJOR DIA OF 15/32 THREAD

CATALOG LISTING
M 11TL1 SERIES CHART 2
 PAGE 1 OF 1
 ISSUE 15
 CHECK
 REVISIONS
 A NEW DWG CO35107
 D B W 18 APR 75
 B CO-37951
 J A L 7 DEC 76
 C CO-49070
 G R T 16 MAY 81
 D CO-49791
 W J M 16 JUL 81
 E CO50496
 J A P 16 NOV 81
 F CO-56057
 M A M 28 SEPT 84
 G CO-56074
 G J W 19 NOV 84
 H CO92297
 J A K 13 FEB 98
 J CO-94428
 C S L 29 NOV 99
 DRAWN
 FORMTEK
 D B W 18 APR 75
 CHECK
 D J W 9 MAY 75
 CHECK
 D B W 18 APR 75
 CHECK
 D J W 9 MAY 75
 CHECK
 RELEASE NO. PR-3660
 REPLACES

THIRD ANGLE PROJECTION

SCALE FULL

DO NOT SCALE PRINT

TOLERANCES
 APPLY TO DESIGN UNITS. CONVERSIONS ARE ONLY FOR REFERENCE. UNLESS NOTED, TOLERANCES ARE ±

NO. PLACES	DIM.	TOL.	DIM.	TOL.
ONE PLACE	X	1/64	X.X	0.01/05
TWO PLACES	X.X	0.001/010	X.XX	0.001/010
THREE PLACES	X.XX	0.0001/0010	X.XXX	0.0001/0010

DESIGN UNITS SI METRIC US CUSTOMARY

RAW MATERIAL—COMMERCIAL STANDARD
 MICRO SWITCH STANDARDS APPLY
 DIMENSIONS ARE TO BE MET BEFORE
 PROTECTIVE COATINGS ARE APPLIED

WEIGHT .11 LB MAX

15A-125,250 OR 277VAC 1/2HP-125VAC; 1HP-250, 277VAC 5A-125VAC "L" CODE L191			10A-125,250 OR 277VAC 1/4HP-125VAC; 1/2HP-250, 277VAC 3A-125VAC "L" CODE L192		
---	--	--	---	--	--