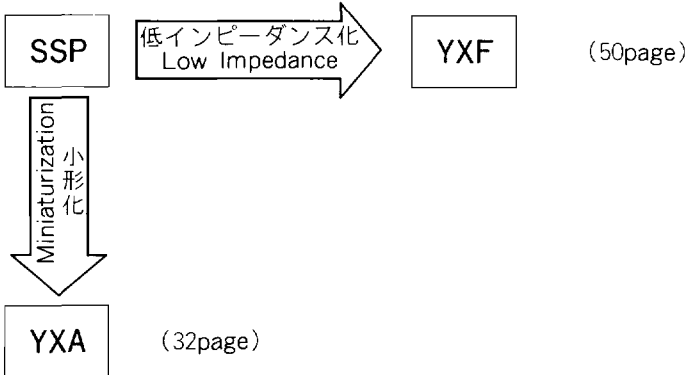


SSP シリーズ
SERIES

105°C標準品 105°C Standard



◆規格表 SPECIFICATIONS

項目 Items	特 性 Characteristics																																															
使用温度範囲 Operating Temperature Range	-55~+105°C	-40~+105°C	-25~+105°C																																													
定格電圧範囲 Rated Voltage Range	6.3~100V.DC	160~250V.DC	350.400V.DC																																													
静電容量許容差 Capacitance Tolerance	±20% (20°C, 120Hz)																																															
漏れ電流 Leakage Current(MAX)	CV ≤ 1000		CV > 1000																																													
	I=0.01CV又は3µAのいずれか大なる値以下 I=0.01CV or 3µA whichever is greater. (定格電圧印加2分後) (After 2minutes application of rated voltage)		I=0.04CV+100µA以下 (1分値) I=0.04CV+100µA (1minute) I=0.02CV+25µA以下 (5分値) I=0.02CV+25µA (5minutes)																																													
	I=漏れ電流(µA) Leakage Current	C=公称静電容量(µF) Nominal Capacitance	V=定格電圧(V) Rated Voltage																																													
損失角の正接 (tanδ) Dissipation Factor(MAX)	<table border="1"> <thead> <tr> <th>定格電圧(V) Rated Voltage</th> <th>6.3</th> <th>10</th> <th>16</th> <th>25</th> <th>35</th> <th>50</th> <th>63</th> <th>100</th> <th>160</th> <th>200</th> <th>250</th> <th>350</th> <th>400</th> <th>(20°C, 120Hz)</th> </tr> </thead> <tbody> <tr> <td>tanδ</td> <td>0.26</td> <td>0.22</td> <td>0.18</td> <td>0.16</td> <td>0.14</td> <td>0.12</td> <td>0.09</td> <td>0.08</td> <td>0.20</td> <td>0.20</td> <td>0.20</td> <td>0.20</td> <td>0.20</td> <td></td> </tr> </tbody> </table>			定格電圧(V) Rated Voltage	6.3	10	16	25	35	50	63	100	160	200	250	350	400	(20°C, 120Hz)	tanδ	0.26	0.22	0.18	0.16	0.14	0.12	0.09	0.08	0.20	0.20	0.20	0.20	0.20																
	定格電圧(V) Rated Voltage	6.3	10	16	25	35	50	63	100	160	200	250	350	400	(20°C, 120Hz)																																	
tanδ	0.26	0.22	0.18	0.16	0.14	0.12	0.09	0.08	0.20	0.20	0.20	0.20	0.20																																			
1000µFを越えるものは1000µF増す毎に上表の値に0.02を加えた値とする。 When nominal capacitance is over 1000µF, tanδ shall be added 0.02 to the listed value with increase of every 1000µF.																																																
高温負荷特性 Load Life	105°C, 右表の時間定格電圧印加後、 After life test at conditions stated in the table below, the capacitors shall meet the following requirements.																																															
	静電容量変化率 Capacitance Change	初期値の±25%以内 Within ±25% of the initial value.	ケース外径 Case Dia																																													
	損失角の正接 Dissipation Factor	規格値の200%以下 Not more than 200% of the specified value.	時間(hrs) Life Time																																													
	漏れ電流 Leakage Current	規格値以下 Not more than the specified value	<table border="1"> <tbody> <tr> <td>φD ≤ 8</td> <td>1000</td> </tr> <tr> <td>φD = 10</td> <td>2000</td> </tr> <tr> <td>φD ≥ 12.5</td> <td>3000</td> </tr> </tbody> </table>	φD ≤ 8	1000	φD = 10	2000	φD ≥ 12.5	3000																																							
φD ≤ 8	1000																																															
φD = 10	2000																																															
φD ≥ 12.5	3000																																															
低温特性 Low Temperature Stability (インピーダンス比) Impedance Ratio(MAX)	<table border="1"> <thead> <tr> <th>定格電圧(V) Rated Voltage</th> <th>6.3</th> <th>10</th> <th>16</th> <th>25</th> <th>35</th> <th>50</th> <th>63</th> <th>100</th> <th>160</th> <th>200</th> <th>250</th> <th>350</th> <th>400</th> <th>(120Hz)</th> </tr> </thead> <tbody> <tr> <td>Z(-25°C)/Z(20°C)</td> <td>4</td> <td>3</td> <td>2</td> <td>2</td> <td>2</td> <td>2</td> <td>2</td> <td>2</td> <td>3</td> <td>3</td> <td>3</td> <td>6</td> <td>6</td> <td></td> </tr> <tr> <td>Z(-40°C)/Z(20°C)</td> <td>8</td> <td>6</td> <td>4</td> <td>3</td> <td>3</td> <td>3</td> <td>3</td> <td>3</td> <td>4</td> <td>4</td> <td>4</td> <td>-</td> <td>-</td> <td></td> </tr> </tbody> </table>			定格電圧(V) Rated Voltage	6.3	10	16	25	35	50	63	100	160	200	250	350	400	(120Hz)	Z(-25°C)/Z(20°C)	4	3	2	2	2	2	2	2	3	3	3	6	6		Z(-40°C)/Z(20°C)	8	6	4	3	3	3	3	3	4	4	4	-	-	
定格電圧(V) Rated Voltage	6.3	10	16	25	35	50	63	100	160	200	250	350	400	(120Hz)																																		
Z(-25°C)/Z(20°C)	4	3	2	2	2	2	2	2	3	3	3	6	6																																			
Z(-40°C)/Z(20°C)	8	6	4	3	3	3	3	3	4	4	4	-	-																																			
準拠規格 Reference Standard	JIS C 5141																																															

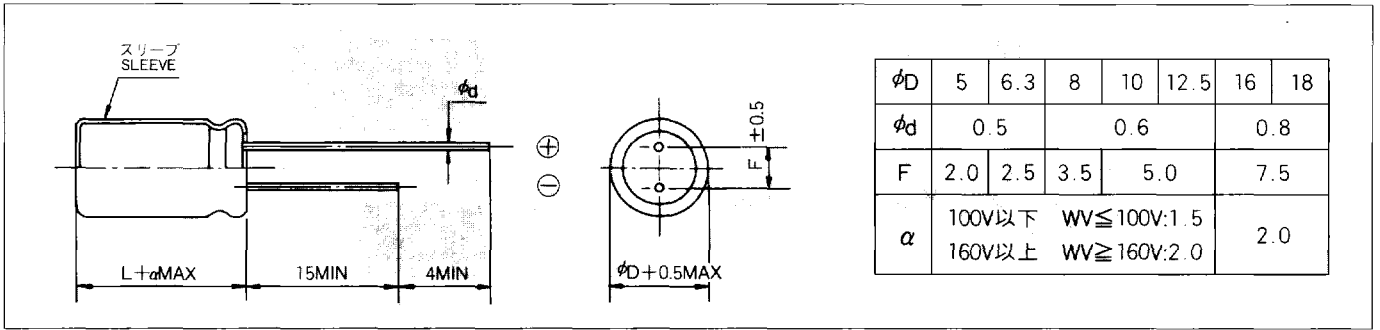
◆リップル電流補正係数 MULTIPLIER FOR RIPPLE CURRENT

周波数係数 Frequency coefficient

Cap(µF)	Freq(Hz)					
	60(50)	120	500	1k	10k ≤	
0.47~47	0.8	1.0	1.20	1.30	1.50	
100~1000	0.8	1.0	1.10	1.15	1.20	
2200~15000	0.8	1.0	1.05	1.10	1.15	

◆寸法図 DIMENSIONS

(mm)



◆寸法一覧表, 最大許容リプル電流一覧表 STANDARD SIZE, MAXIMUM PERMISSIBLE RIPPLE CURRENT

Size φD×L(mm), Ripple Current (mA r. m. s. /105°C, 120Hz)

定格電圧 WV(V. DC)	6.3 (0J)		10 (1A)		16 (1C)		25 (1E)		35 (1V)		50 (1H)	
	Size	Ripple	Size	Ripple	Size	Ripple	Size	Ripple	Size	Ripple	Size	Ripple
0.47											5×11	7
1											5×11	12
2.2											5×11	18
3.3											5×11	22
4.7											5×11	27
10											5×11	41
22											5×11	68
33							5×11	69	5×11	73	6.3×11	94
47					5×11	78	5×11	82	6.3×11	100	6.3×11	115
100	5×11	96	5×11	105	6.3×11	130	6.3×11	135	8×11.5	170	8×11.5	185
220	6.3×11	160	6.3×11	170	8×11.5	220	8×11.5	235	10×12.5	300	10×16	360
330	6.3×11	210	8×11.5	245	8×11.5	280	10×12.5	335	10×16	400	10×20	470
470	8×11.5	275	8×11.5	295	10×12.5	380	10×16	440	10×20	525	12.5×20	600
1000	10×12.5	460	10×16	540	10×20	640	12.5×20	740	12.5×25	865	16×25	1060
2200	12.5×20	835	12.5×20	860	12.5×25	1050	16×25	1230	16×31.5	1370	18×35.5	1600
3300	12.5×20	985	12.5×25	1100	16×25	1300	16×31.5	1500	18×35.5	1680		
4700	16×25	1350	16×25	1400	16×31.5	1650	18×35.5	1800				
6800	16×25	1480	16×31.5	1700	18×35.5	1900						
10000	16×31.5	1810	18×35.5	1950								
15000	18×35.5	2090										

定格電圧 WV(V. DC)	63 (1J)		100 (2A)		160 (2C)		200 (2D)		250 (2E)		350 (2V)	
	Size	Ripple	Size	Ripple	Size	Ripple	Size	Ripple	Size	Ripple	Size	Ripple
0.47			5×11	9	6.3×11	12	6.3×11	12	6.3×11	12	8×11.5	12
1			5×11	14	6.3×11	17	6.3×11	17	6.3×11	17	10×12.5	18
2.2			5×11	20	6.3×11	25	6.3×11	25	8×11.5	30	10×16	31
3.3			5×11	30	8×11.5	35	8×11.5	36	10×12.5	43	10×16	45
4.7			5×11	35	8×11.5	43	10×12.5	50	10×12.5	53	10×20	55
10	5×11	48	6.3×11	60	10×16	77	10×16	80	10×20	90	12.5×20	95
22	6.3×11	80	8×11.5	98	10×20	125	10×20	135	12.5×25	170	16×25	175
33	6.3×11	100	10×12.5	140	12.5×20	170	12.5×25	200	12.5×25	200	16×25	220
47	8×11.5	140	10×16	185	12.5×25	210	12.5×25	220	16×25	240	16×35.5	260
100	10×12.5	230	12.5×20	315	16×25	320	16×31.5	340	18×35.5	400		
220	10×20	410	16×25	560	18×35.5	580						
330	12.5×20	540	16×25	690								
470	12.5×25	700	16×31.5	880								
1000	16×31.5	1200										

定格電圧 WV(V. DC)	400 (2G)	
	Size	Ripple
1	10×12.5	18
2.2	10×16	31
3.3	10×20	41
4.7	10×20	55
10	12.5×25	80
22	16×25	170
33	16×31.5	220
47	18×35.5	275