



▲ Left: C2741-32A, Right: C2741-35A

The C2741-32A, -35A cameras are designed specifically for imaging at ultra-low light levels. Each camera consists of an image intensifier including a 1 stage MCP and CCD camera coupled with a relay lens.

Single photon counting is possible due to superior performance as compared to conventional ICCD Cameras, for example:

1. Higher gain about 10 times higher
2. Lower dark noise about 1/10 lower : using bi-alkali photocathode

APPLICATIONS

The cameras can be used for luminescence and fluorescence applications in a macroscopic or microscopic imaging system set up.

- Gene expression experiments
- Colony screening
- Detection of gels and blots
- Enzyme Immunoassay
- Phagocytosis
- DNA hybridization

FEATURES

- **High spatial resolution**
(Typical horizontal center resolution)
450 TV lines (C2741-32A)
370 TV lines (C2741-35A)
- **Low geometric distortion**
Max 2% within inscribed circle
- **High sensitivity**
Single photon counting is possible
- **Wide effective scanning area**
approx. 19.0 mm (H) × 14.2 mm (V) (C2741-32A)
approx. 12.7 mm (H) × 9.5 mm (V) (C2741-35A)

SPECIFICATIONS

• Configuration

	Relay lens	CCD camera
C2741-32A	A6110	C5405-50/-51
C2741-35A	A2098	C5405-50/-51

• Image Intensifier

Photocathode Bi-alkali
 Wave length 360-650 [nm] / peak 430 [nm]
 Effective area of photocathode ϕ 25mm

• Relay Lens

Type number	A6110	A2098
Name of relay lens	3 : 1	2 : 1
Reduction rate	3.09 : 1	2.00 : 1
F-number (front \times rear)	3.09 \times 1.01	2.46 \times 1.23
Objective distance [mm]	23.9	25.0
Shading [%]	25	20
Transmittance at 530nm [%]	88	88

• CCD Camera

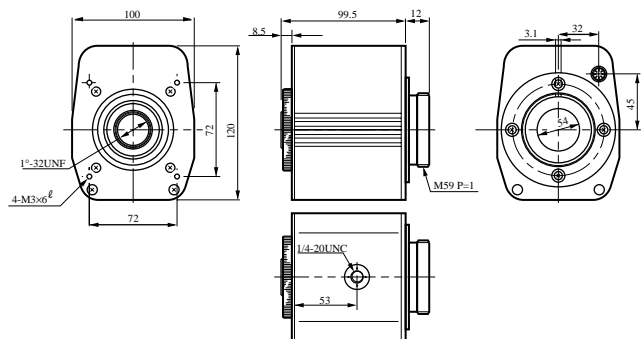
Type number	C5405-50	C5405-51
SYNC method	EIA (USA)	CCIR (Europe)
Pickup device	1/2-inch Interline transfer CCD	
Number of pixels	768(H) \times 494(V)	752(H) \times 582(V)
Cell size	8.4 μ m(H) \times 9.8 μ m(V)	8.6 μ m(H) \times 8.3 μ m(V)
Effective no. of pixels	752(H) \times 485 (V)	736(H) \times 575 (V)
Sync system	525 lines 59.94Hz	625 lines 50Hz

• Others

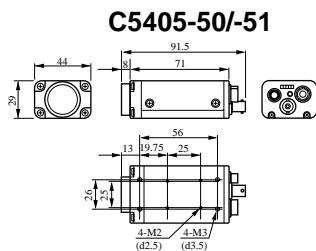
Resolution 450 [TV lines] (C2741-32A)
 370 [TV lines] (C2741-35A)
 Geometric distortion 2 [%] / max.
 Shading 50 [%] / typ.
 Gamma 1.0 / typ.
 Lens mount C-mount
 External control Possible (RS-232C)

DIMENSIONAL OUTLINE (Unit: mm)

• Image Intensifier

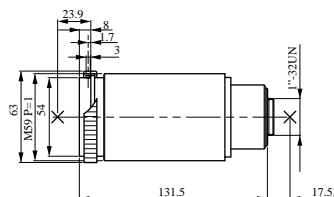


• CCD Camera

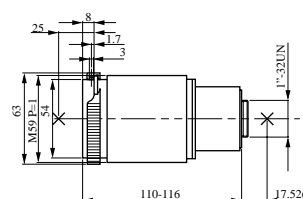


• Relay Lens

A6110



A2098



★ Product and software package names noted in this documentation are trademarks or registered trademarks of their respective manufacturers.

- Subject to local technical requirements and regulations, availability of products included in this promotional material may vary. Please consult with our sales office.
- Information furnished by HAMAMATSU is believed to be reliable. However, no responsibility is assumed for possible inaccuracies or omissions.

Specifications and external appearance are subject to change without notice.

© 2003 Hamamatsu Photonics K.K.

HAMAMATSU

HAMAMATSU PHOTONICS K.K., Systems Division
 812 Joko-cho, Hamamatsu City, 431-3196, Japan, Telephone: (81)53-431-0124, Fax: (81)53-435-1574, E-mail: export@sys.hpk.co.jp

U.S.A. and Canada: Hamamatsu Photonic Systems: 360 Foothill Road, Bridgewater, N.J. 08807-0910, U.S.A., Telephone: (1)908-231-1116, Fax: (1)908-231-0852, E-mail: usa@hamamatsu.com
 Germany: Hamamatsu Photonics Deutschland GmbH: Arzbergerstr. 10, D-82211 Herrsching am Ammersee, Germany, Telephone: (49)8152-375-0, Fax: (49)8152-2658, E-mail: info@hamamatsu.de
 France: Hamamatsu Photonics France S.A.R.L.: 8, Rue du Saule Trapu, Parc du Moulin de Massy, 91882 Massy Cedex, France, Telephone: (33)1 69 53 71 00, Fax: (33)1 69 53 71 10, E-mail: infos@hamamatsu.fr
 United Kingdom: Hamamatsu Photonics UK Limited: 2 Howard Court, Welwyn Garden City, Hertfordshire, AL7 1BW, U.K., Telephone: (44) 1707-294888, Fax: (44) 1707-325777, E-mail: info@hamamatsu.co.uk
 North Europe: Hamamatsu Photonics Norden AB: Smidesvägen 12, SE-171-41 Solna, Sweden, Telephone: (46)8-509-031-00, Fax: (46)8-509-031-01, E-mail: info@hamamatsu.se
 Italy: Hamamatsu Photonics Italia S.R.L.: Strada della Mois, 1/E 20020 Arese (Milano), Italy, Telephone: (39)02-935 81 733, Fax: (39)02-935 81 741, E-mail: info@hamamatsu.it

Homepage Address <http://www.hamamatsu.com>



Cat. No. SICS1033E05
 APR/2003 HPK
 Created in Japan (PDF)