

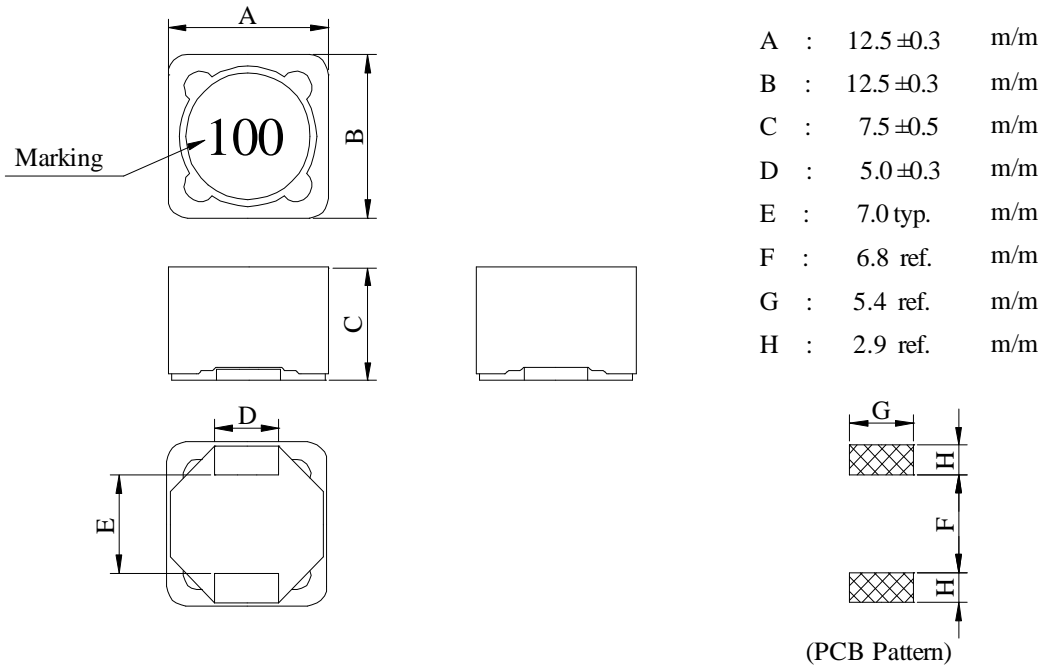
SPECIFICATION FOR APPROVAL

REF :

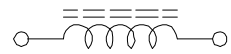
PAGE: 1

PROD. NAME	SHIELDED SMD POWER INDUCTOR	ABC'S DWG NO.	SS1280□□□□L□-□□□
		ABC'S ITEM NO.	

I . CONFIGURATION & DIMENSIONS :

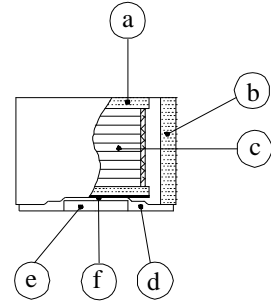


II . SCHEMATIC DIAGRAM :

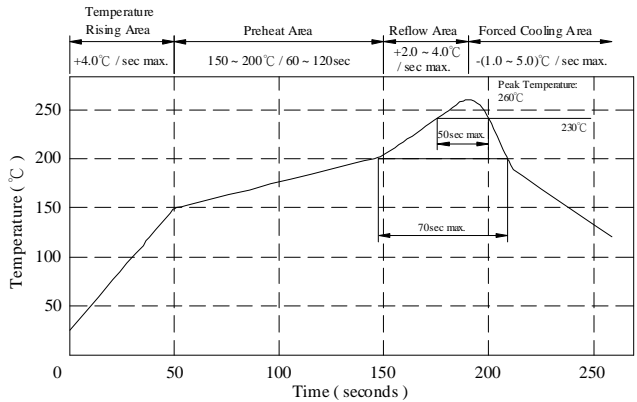


III . MATERIALS :

- a . Core : Ferrite DR core
- b . Core : Ferrite RI core
- c . Wire : Enamelled copper wire (class F)
- d . Base : LCP
- e . Terminal : Cu/Ni/Sn
- f . Adhesive : Epoxy resin
- g . Remark : Products comply with RoHS' requirements



Peak Temp : 260°C max.
 Max time above 230°C : 50sec max.
 Max time above 200°C : 70sec max.



IV . GENERAL SPECIFICATION :

- a . Temp. rise : 40°C typ.
- b . Storage temp. : -40°C ----+125°C
- c . Operating temp. : -40°C ----+125°C
(Temp. rise included)
- d . Resistance to solder heat : 260°C . 10 secs.

AR-001A



SPECIFICATION FOR APPROVAL

REF :

PAGE: 2

PROD. NAME	SHIELDED SMD POWER INDUCTOR	ABC'S DWG NO.	SS1280□□□□L□-□□□
		ABC'S ITEM NO.	

V . ELECTRICAL CHARACTERISTICS :

DWG No.	Inductance (μ H)	Q ref.	Test Freq. (MHz)	SRF (MHz) typ.	RDC (m Ω) max.	Irms (A)	Isat (A)
SS12801R1YL□-□□□	1.1 \pm 30%	26	7.96	85	6.5	10.20	14.00
SS12801R4YL□-□□□	1.4 \pm 30%	24	7.96	80	9.8	9.80	12.00
SS12802R4YL□-□□□	2.4 \pm 30%	20	7.96	45	10.0	9.20	10.50
SS12803R3YL□-□□□	3.3 \pm 30%	20	7.96	40	12.0	8.80	9.80
SS12804R5YL□-□□□	4.5 \pm 30%	20	7.96	34	13.5	8.50	9.00
SS12804R7YL□-□□□	4.7 \pm 30%	22	7.96	30	15.5	8.20	8.80
SS12805R6YL□-□□□	5.6 \pm 30%	20	7.96	24	16.0	8.00	8.50
SS12806R8YL□-□□□	6.8 \pm 30%	20	7.96	22	18.5	7.60	8.00
SS12807R5YL□-□□□	7.5 \pm 30%	16	7.96	21	17.5	6.40	7.00
SS12808R2YL□-□□□	8.2 \pm 30%	22	2.52	20	20.5	6.20	6.80
SS1280100ML□-□□□	10.0 \pm 20%	24	2.52	17	19.5	6.00	6.30
SS1280120ML□-□□□	12.0 \pm 20%	26	2.52	15	28.0	5.60	6.60
SS1280150ML□-□□□	15.0 \pm 20%	26	2.52	13	28.5	5.20	5.00
SS1280180ML□-□□□	18.0 \pm 20%	24	2.52	12	35.0	4.80	4.60
SS1280220ML□-□□□	22.0 \pm 20%	20	2.52	11	38.6	4.30	4.10
SS1280270ML□-□□□	27.0 \pm 20%	26	2.52	10	52.0	3.90	3.70
SS1280330ML□-□□□	33.0 \pm 20%	28	2.52	9.5	57.0	3.50	3.30
SS1280390ML□-□□□	39.0 \pm 20%	24	2.52	8.5	70.0	3.20	3.10
SS1280470ML□-□□□	47.0 \pm 20%	24	2.52	7.5	80.0	2.90	2.80
SS1280560ML□-□□□	56.0 \pm 20%	24	2.52	7.0	100.0	2.60	2.50
SS1280680ML□-□□□	68.0 \pm 20%	20	2.52	6.5	120.0	2.40	2.30
SS1280820ML□-□□□	82.0 \pm 20%	20	2.52	5.0	130.0	2.30	2.20
SS1280101ML□-□□□	100.0 \pm 20%	18	0.796	4.5	150.0	2.10	2.00
SS1280121KL□-□□□	120.0 \pm 10%	16	0.796	4.3	200.0	1.95	1.95
SS1280151KL□-□□□	150.0 \pm 10%	24	0.796	4.1	270.0	1.85	1.90
SS1280181KL□-□□□	180.0 \pm 10%	24	0.796	4.0	300.0	1.75	1.88
SS1280221KL□-□□□	220.0 \pm 10%	24	0.796	3.4	400.0	1.60	1.70
SS1280271KL□-□□□	270.0 \pm 10%	20	0.796	3.1	450.0	1.20	1.60
SS1280331KL□-□□□	330.0 \pm 10%	18	0.796	2.9	600.0	1.10	1.40
SS1280391KL□-□□□	390.0 \pm 10%	20	0.796	2.7	680.0	1.00	1.40
SS1280471KL□-□□□	470.0 \pm 10%	20	0.796	2.2	880.0	0.90	1.25
SS1280561KL□-□□□	560.0 \pm 10%	20	0.796	2.0	960.0	0.80	1.15
SS1280681KL□-□□□	680.0 \pm 10%	26	0.796	1.7	1300.0	0.75	0.97
SS1280821KL□-□□□	820.0 \pm 10%	20	0.796	1.4	1500.0	0.70	0.94
SS1280102KL□-□□□	1000.0 \pm 10%	40	0.252	1.3	1700.0	0.68	0.80

- 1). □ : Packaging Information... [A]: Bulk [B]: Taping Reel
- 2). "-□□□":Reference code
- 3). Inductance test freq. : 1R1~8R2 : 100KHz / 1V , 100~102 : 1KHz / 1V
- 4). Irms base on temp. rise 40°C typ.
- 5). Isat base on Δ L/LOA=25 % typ.

AR-001A



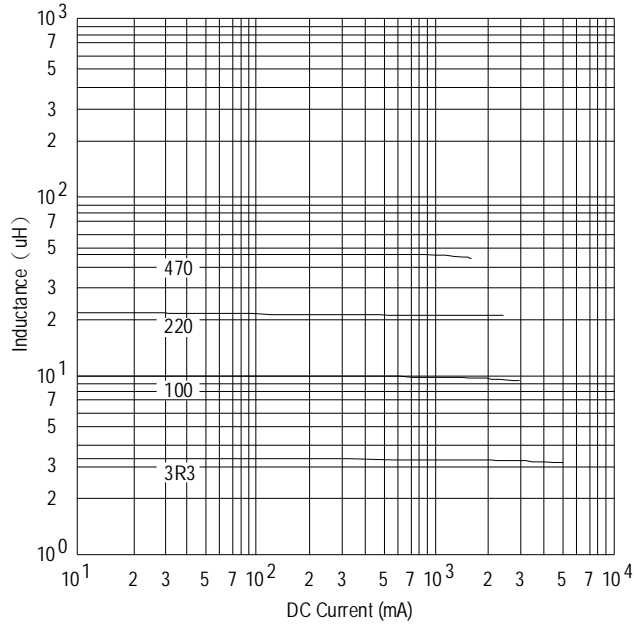
SPECIFICATION FOR APPROVAL

REF :

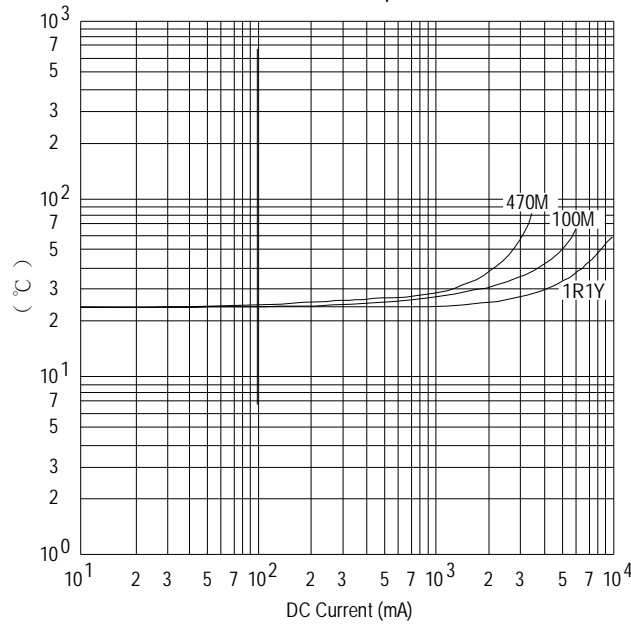
PAGE: 3

PROD.	SHIELDED SMD	ABC'S DWG NO.	SS1280□□□□L□-□□□
NAME	POWER INDUCTOR	ABC'S ITEM NO.	

@ Inductance VS. DC Current Curve



@ DC Current VS. Temp. Rise Curve



AR-001A

SPECIFICATION FOR APPROVAL

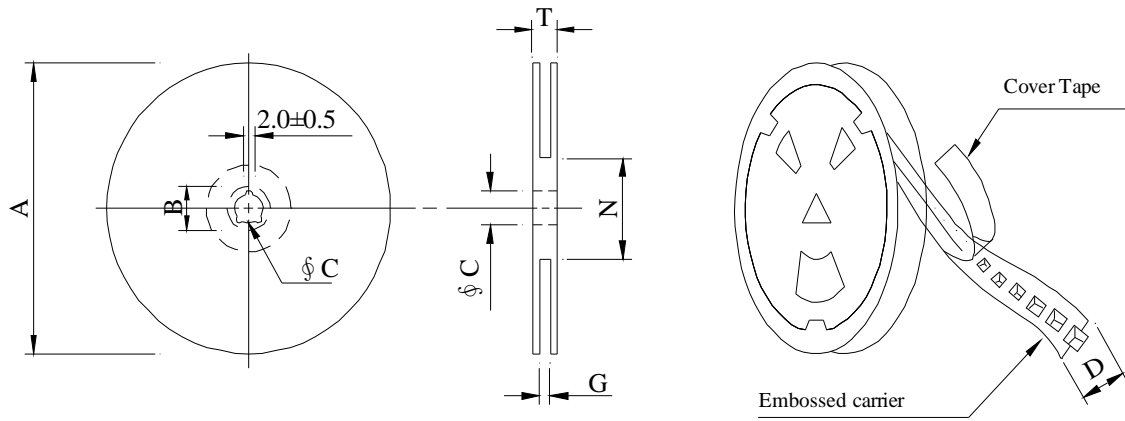
REF :

PAGE: 4

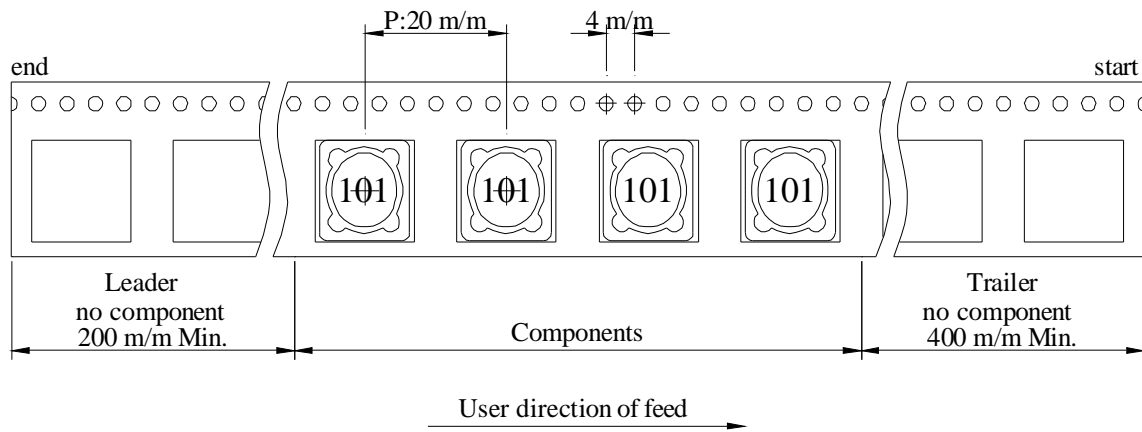
PROD. NAME	SHIELDED SMD POWER INDUCTOR	ABC'S DWG NO.	SS1280□□□□L□-□□□
		ABC'S ITEM NO.	

VI . PACKAGING INFORMATION :

(1) Configuration



※Carrier tape width : D



(2) Dimensions

Unit:m/m

Style	A	B	C	D	G	N	T
13 - 24	330	21±0.8	13	24	26 ⁺⁰	50 ⁻⁰	30.4

(3) Q'TY & G.W. Per package

Series	Inner : Reel			Outer : Carton		
	Q'TY (pcs)	G.W. (gw)	Style	Q'TY (PCS)	G.W. (Kg)	Size (cm)
SS1280	400	2,250	13 - 24	1,600	9.0	38 x 37 x 22

AR-001A

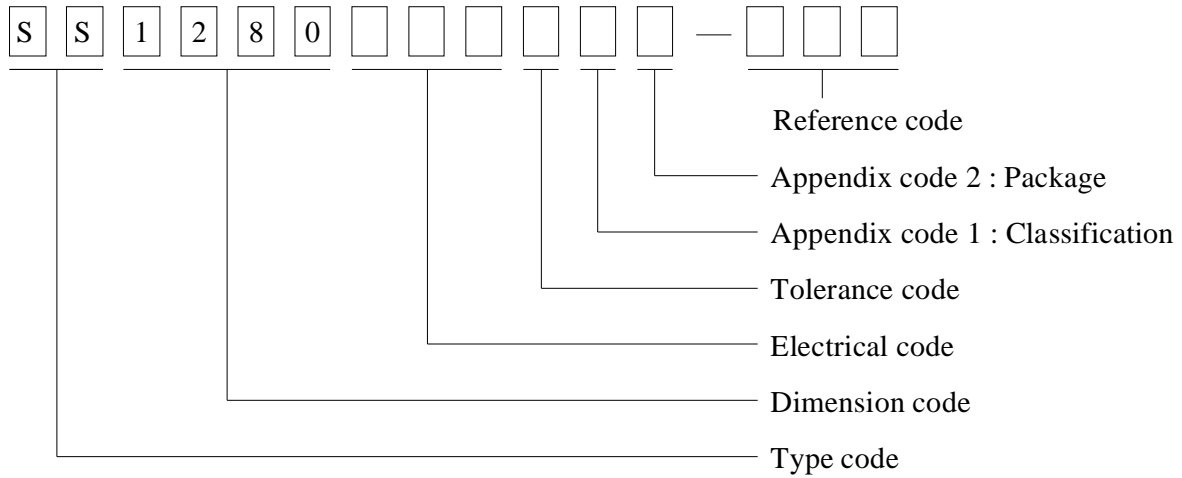
SPECIFICATION FOR APPROVAL

REF :

PAGE: 5

PROD. NAME	SHIELDED SMD POWER INDUCTOR	ABC'S DWG NO.	SS1280□□□□L□-□□□
		ABC'S ITEM NO.	

VII . DWGING NUMBER EXPRESSION :



Appendix code 1 : Product Classification

- L : Lead Free Standard products comply with RoHS' requirements
- 1 ~ 9 : Lead Free Special products comply with RoHS' requirements

Appendix code 2 : Package Information

Code	Inner package	Inner package Q'TY	Remark
A	T.B.D.	T.B.D.	
B	T/R (Reel package)	400 pcs	

SPECIFICATION FOR APPROVAL

REF :

PAGE: 6

PROD. NAME	SHIELDED SMD POWER INDUCTOR	ABC'S DWG NO.	SS1280□□□□L□-□□□
		ABC'S ITEM NO.	

VIII . RELIABILITY TEST :

Test item	Specification	Test condition						
Solderability	More than 95% of the terminal electrode shall be covered With fresh solder.	Preheat : 155°C / 4 hours. Solder : Sn96.5 / Ag3 / Cu0.5 or equivalent Solder temp. : 235±5°C Flux : Rosin Dip time : 5±0.5 seconds						
Thermal shock test (Temp. cycle)	Electrical oharacteristics shall not change more than ±20%	<table style="width: 100%; border: none;"> <tr> <td style="text-align: center;">Room temp. 15 minutes</td> <td style="text-align: center;">→</td> <td style="text-align: center;">-40 °C 30 minutes</td> </tr> <tr> <td style="text-align: center;">Room temp. 15 minutes</td> <td style="text-align: center;">→</td> <td style="text-align: center;">+125 °C 30 minutes</td> </tr> </table> <p>Total : 50 cycles</p>	Room temp. 15 minutes	→	-40 °C 30 minutes	Room temp. 15 minutes	→	+125 °C 30 minutes
Room temp. 15 minutes	→	-40 °C 30 minutes						
Room temp. 15 minutes	→	+125 °C 30 minutes						
Humidity Test		Temperature : 40±2°C Humidity : 90±5% Time : 1000 hours						
High temp. Resistance test		Temperature : 125±5°C Applied current : Per spec. Time : 96 hours						

AR-001A



SPECIFICATION FOR APPROVAL

REF :

PAGE: 8

PROD. NAME	SHIELDED SMD POWER INDUCTOR	ABC'S DWG NO. ABC'S ITEM NO.	SS1280□□□□L□-□□
---------------	--------------------------------	---------------------------------	-----------------

		SUMITOMO CHEMICAL CO LTD						E54705 (M)			
		5-33 KITAHAMA 4-CHOME CHUO-KO, OSAKA JAPAN									
Mtl Dsg	Col	Min Thk mm	UL94 Flame Class	Elec	RTI		H W I	H A I	H V T R	D 4 9 5	C T I
					with Imp	w/o Imp					
Liquid crystal polyester (LCP), designated "EKONOL" or "SUMIKASUPER", furnished in the form of pellets, (Contd)											
E4008, E400X	NC, BK	0.30	94V-0	130	130	130	—	—	—	—	—
		0.75	94V-0	130	130	130	3	4	—	—	—
		1.5	94V-0	130	130	130	2	4	—	—	—
		3.0	94V-0	130	130	130	1	4	0	5	4
E4008	NC, WT, BK	0.30	94V-0	130	130	130	—	—	—	—	—
		0.75	94V-0	220	180	220	3	4	—	—	—
		1.5	94V-0	220	200	240	2	4	—	—	—
		3.0	94V-0	220	200	240	1	4	0	5	4
E4010	NC, BK	0.30	94V-0	130	130	130	—	—	—	—	—
		0.75	94V-0	220	180	220	3	4	—	—	—
		1.5	94V-0	220	200	240	2	4	—	—	—
		3.0	94V-0	220	200	240	1	4	0	5	4
E400(Y)L, E4008L	NC, BK	0.30	94V-0	130	130	130	—	—	—	—	—
		0.75	94V-0	130	130	130	3	4	—	—	—
		1.5	94V-0	130	130	130	2	4	—	—	—
		3.0	94V-0	130	130	130	1	4	0	5	4
E4810	NC, BK	0.30	94V-0	130	130	130	—	—	—	—	—
		0.75	94V-0	130	130	130	0	4	—	—	—
		1.5	94V-0	130	130	130	0	4	—	—	—
		3.0	94V-0	130	130	130	1	4	0	5	4

(X) Denotes any number 1 thru 9.
(Y) Denotes any number 1 thru 7.

AR-001A

