

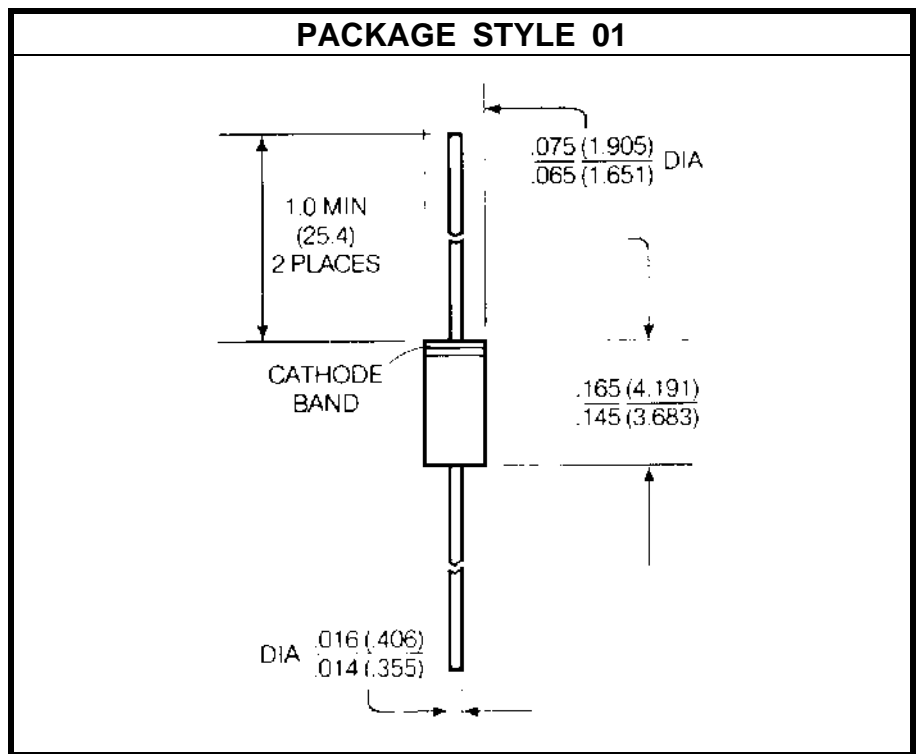
SCHOTTKY BARRIER DIODE

DESCRIPTION:

The **ASI 5082-2787** is a Silicon Small Signal Schottky Diode Designed for UHF/VHF Mixers, and Video Detector Applications. Color Band Indicates Cathode. RF Parameters are Sample Tested.

MAXIMUM RATINGS

| | |
|-------------------------|---------------------------------|
| I | 10 mA |
| V | 4.0 V |
| P_{DISS} | 100 mW @ T _A = 25 °C |
| T_J | -60 °C to +150 °C |
| T_{STG} | -60 °C to +150 °C |
| T_{SOLD} | t = 5.0 Sec. +260 °C |



CHARACTERISTICS T_C = 25 °C

| SYMBOL | TEST CONDITIONS | MINIMUM | TYPICAL | MAXIMUM | UNITS |
|-----------------------|---|---------|---------|---------|--------------|
| V_R | I _R = 10 μA | 4.0 | | | V |
| C_{J0} | V _R = 0 V f = 1.0 MHz | | 0.12 | | pF |
| T_{SS} | f = 10 GHz | | | -52 | dBm |
| R_V | P = -40 dBm R _L = 100 KΩ f = 10 GHz | 1.2 | | 1.8 | KW |
| g | P = -40 dBm R _L = 100 KΩ f = 10 GHz | 3.5 | | | mV/mW |