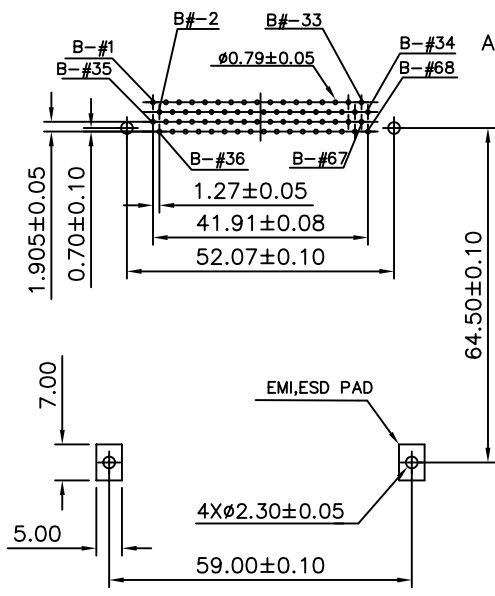
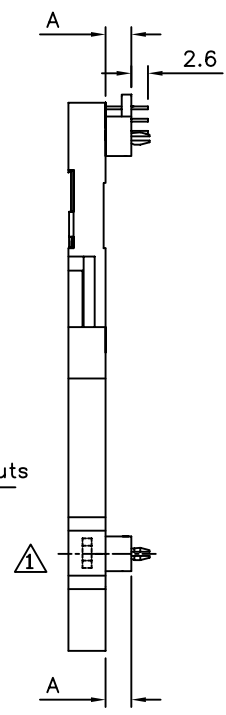
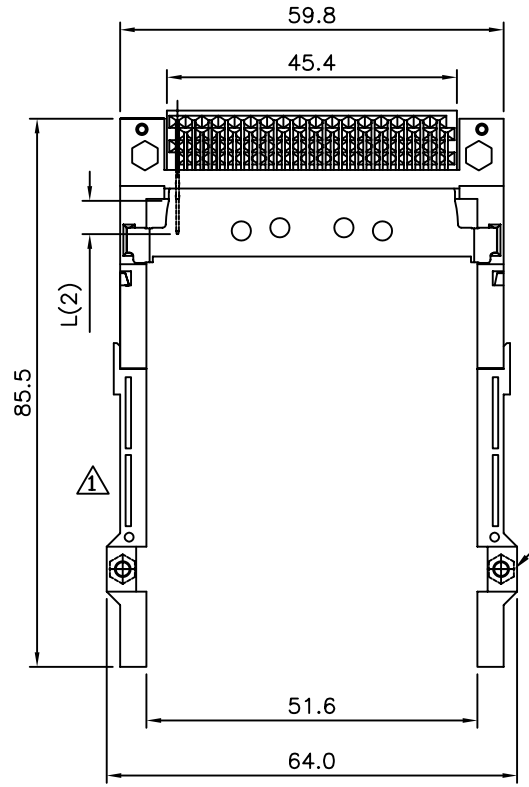
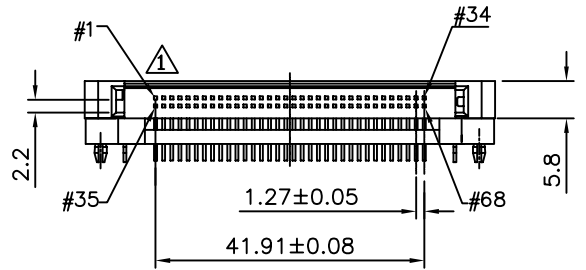


SPECIFICATIONS

Insulator: UL 94V-0, PBT
 Color: Black
 Contact: Copper Alloy
 Selective Gold Flash Over Nickel
 Voltage Rating: 3.3V
 Accept PCMCIA Type I, Type II or Type III Card



Part No.	Dim.A
PC68PRA2213XZ	2.2
PC68PRA3013XZ	3.0
PC68PRA4013XZ	4.0
PC68PRA5013XZ	5.0
PC68PRA5113XZ	5.1
PC68PRA5513XZ	5.5
PC68PRA6013XZ	6.0
PC68PRA7013XZ	7.0
PC68PRA8013XZ	8.0



Recommended Hole Pattern

Pin Type	Dim. L ±0.10	Pin Number
Detect	3.50	36, 67
General	4.25	All Other Pins
Power	5.00	1,17,34,35,51,68

AUK A MEMBER OF AUK GROUP
太聯事業股份有限公司
AUK CONTRACTORS CO., LTD.

CATEGORY		APPROVED BY		UNLESS OTHERWISE SPECIFIED TOLERANCES ARE					
PART No. PC68PRAXX13XZ		MEI		.X ±0.30		A2		Add A Dim. SHIN 06/12/2007	
DRAWING No. PC68PRAXX13XZ		BECKY		.XX ±0.20		A1		Modify Drawing HZF 11/28/2006	
SCALE NONE		TCF		.XXX ±0.10		A0		NEW RELEASE BECKY 19/10/2004	
REV.	A2	UNIT	mm	NO.REV.		REVISIONS		CHK	DATE