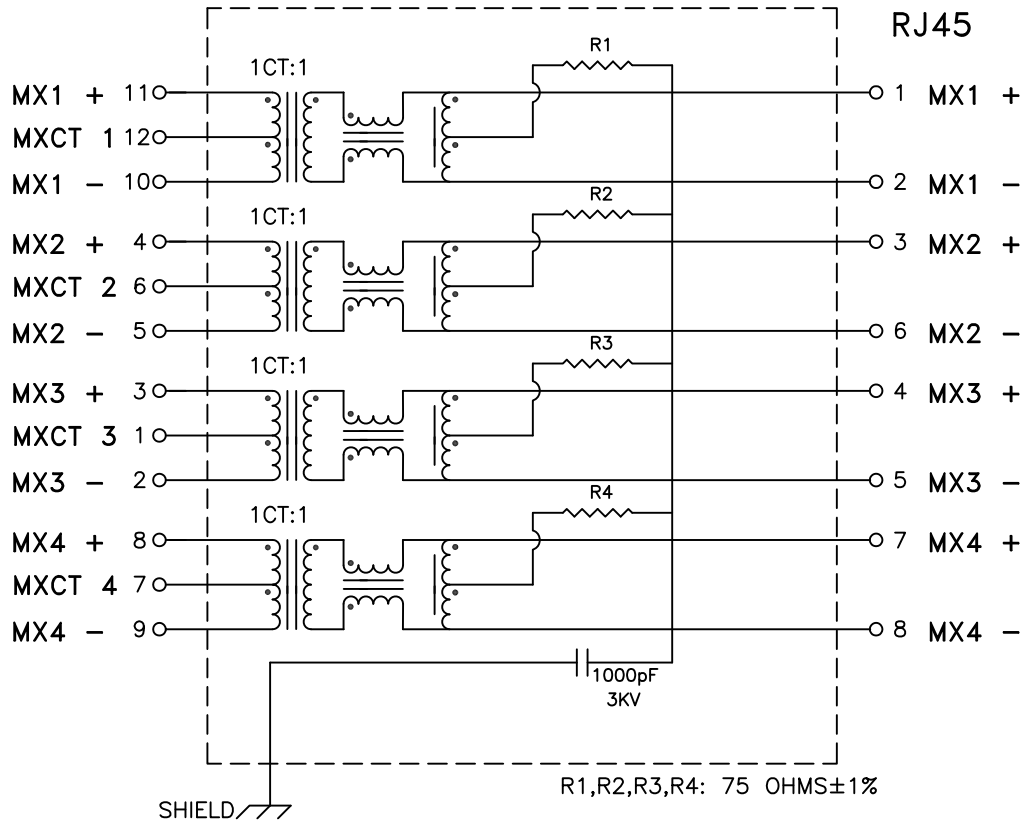


1.Schematic:



2.Electrical Specifications: @25°C

Isolation Voltage: 1500 Vrms @60Hz 1MIN

Common Mode Rejection: @1-50MHz -30dB Typ

@50-130MHz -20dB Typ

Crosstalk: @1-10MHz -40dB Typ

@30-60MHz -35dB Typ

@60-100MHz -30dB Typ

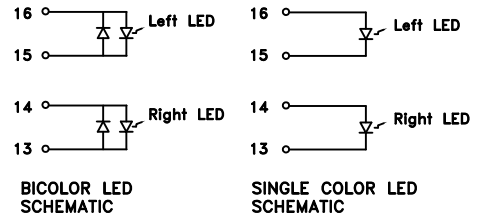
Insertion Loss (1-100MHz): -1.0dB Typ

Return Loss: @1-10MHz -20dB Typ

@30MHz -16dB Typ

@60-80MHz -12dB Typ

Q: 5 Min@100KHz 0.1V



Notes:

- Solderability: Leads shall meet MIL-STD-202G, Method 208H for solderability.
- Flammability: UL94V-0
- ASTM oxygen index: > 28%
- UL Recognized Component: File Number E165866
- Operating Temperature Range: All listed parameters are to be within tolerance from 0°C to +70°C
- Storage Temperature Range: -55°C to +125°C
- Aqueous wash compatible
- Electrical and mechanical specifications 100% tested
- RoHS Compliant Component

DOC. REV: A/13

Complete the Combo P/N as follows:

Replace 'x' & 'u' in the part number with one of the LED color letters:

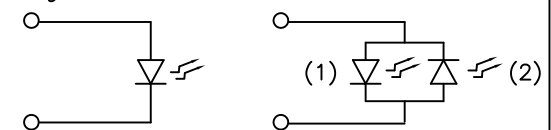
Y=Yellow
G=Green
A=Amber
R=Red

'x' = Left LED Color
'u' = Right LED Color

C=Green(1)/Amber(2) Bicolor
D=Amber(1)/Green(2) Bicolor
M=Green(1)/Yellow(2) Bicolor
N=Yellow(1)/Green(2) Bicolor
P=Red(1)/Green(2) Bicolor
Q=Green(1)/Red(2) Bicolor

Single Color LED:

Bi-Color LED:



XFMRs Inc

www.XFMRs.com

Title:

SINGLE PORT GIGABIT w/LEDs COMBO

UNLESS OTHERWISE SPECIFIED

TOLERANCES:

.xxx ±0.010

Dimensions in Inch

SHEET 1 OF 2

P/N: XFGIG12-CTxu1-4L

REV. A

DWN.

Yuan

Nov-26-14

CHK.

YK Liao

Nov-26-14

APP.

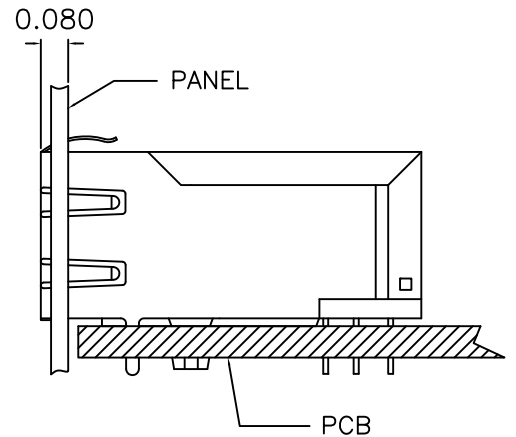
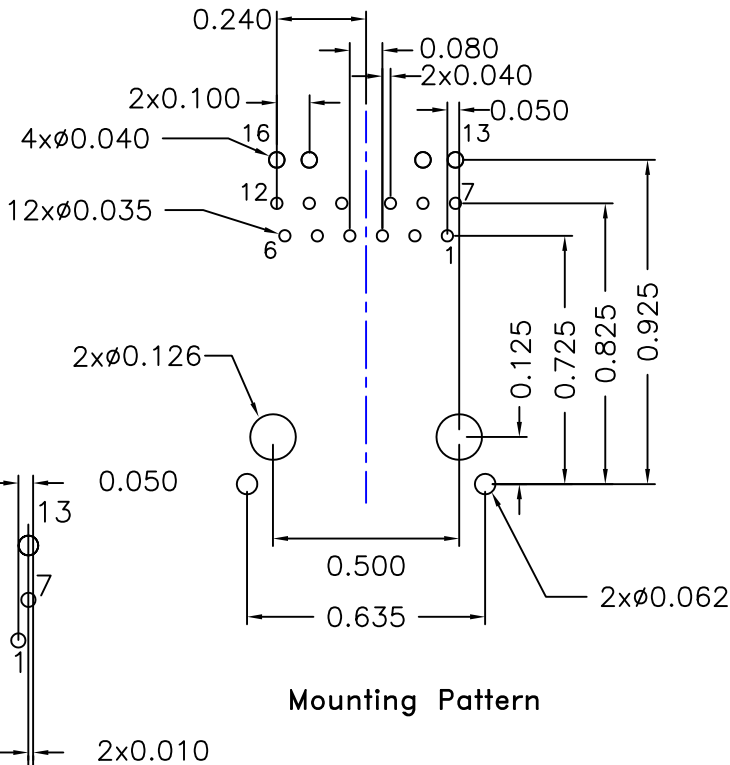
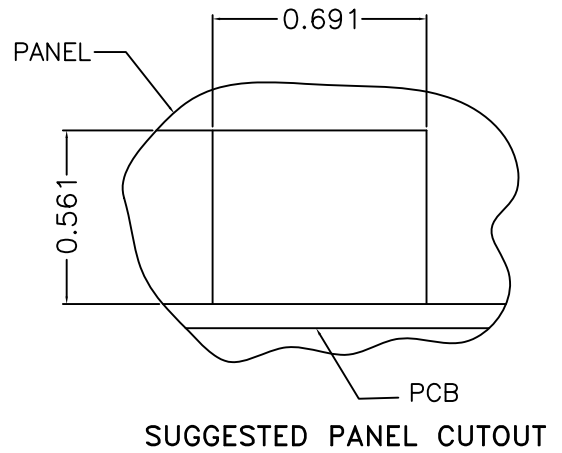
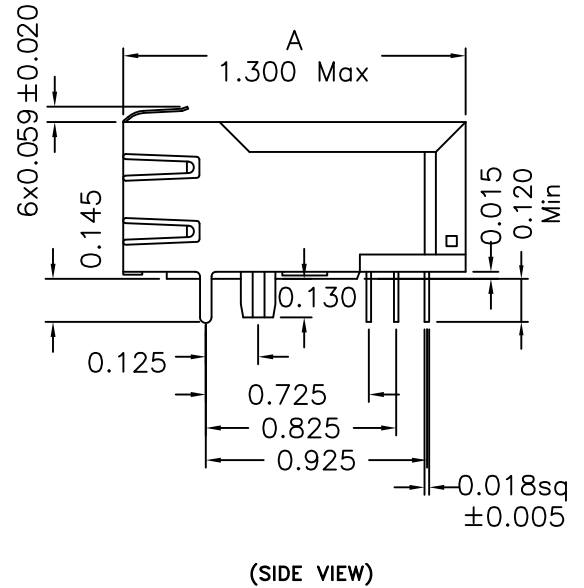
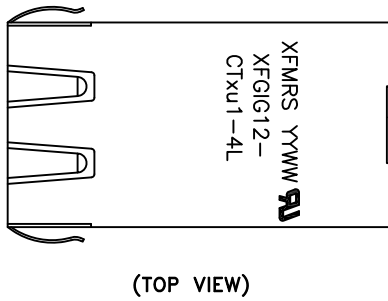
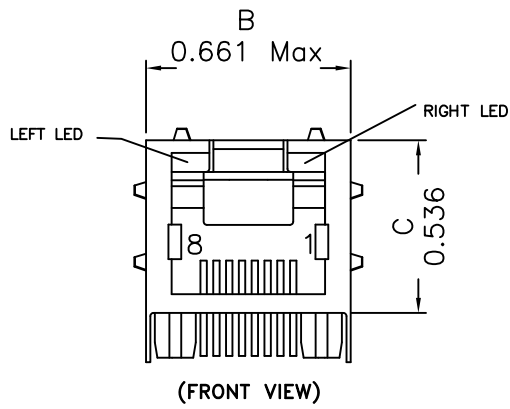
BSJ

Nov-26-14

PROPRIETARY:

Document is the property of XFMRs Group & is not allowed to be duplicated without authorization.

3.Mechanical Dimensions:



DOC REV: A/13

XFMRS Inc www.XFMRS.com		Title: Mechanical Dimensions For "1.30" INCH TAB UP RJ45 COMBO	
UNLESS OTHERWISE SPECIFIED TOLERANCES: .xxx ±0.010 Dimensions in Inch		P/N: XFGIG12-CTXu1-4L	REV. A
DWN.	Yuan	Nov-26-14	
CHK.	YK Liao	Nov-26-14	
APP.	BSJ	Nov-26-14	
SHEET 2 OF 2			

PROPRIETARY:

Document is the property of XFMRS Group & is not allowed to be duplicated without authorization.