

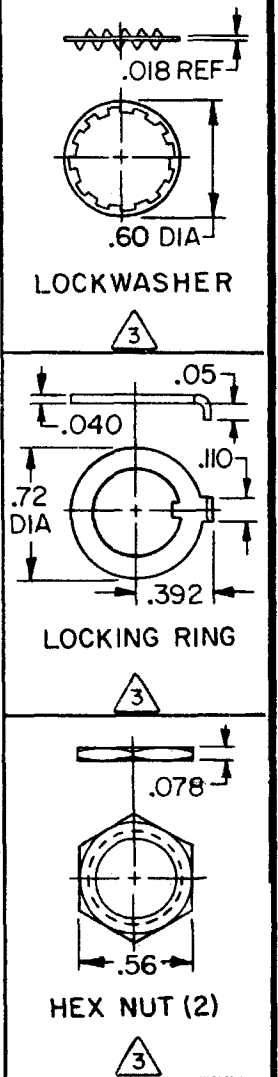
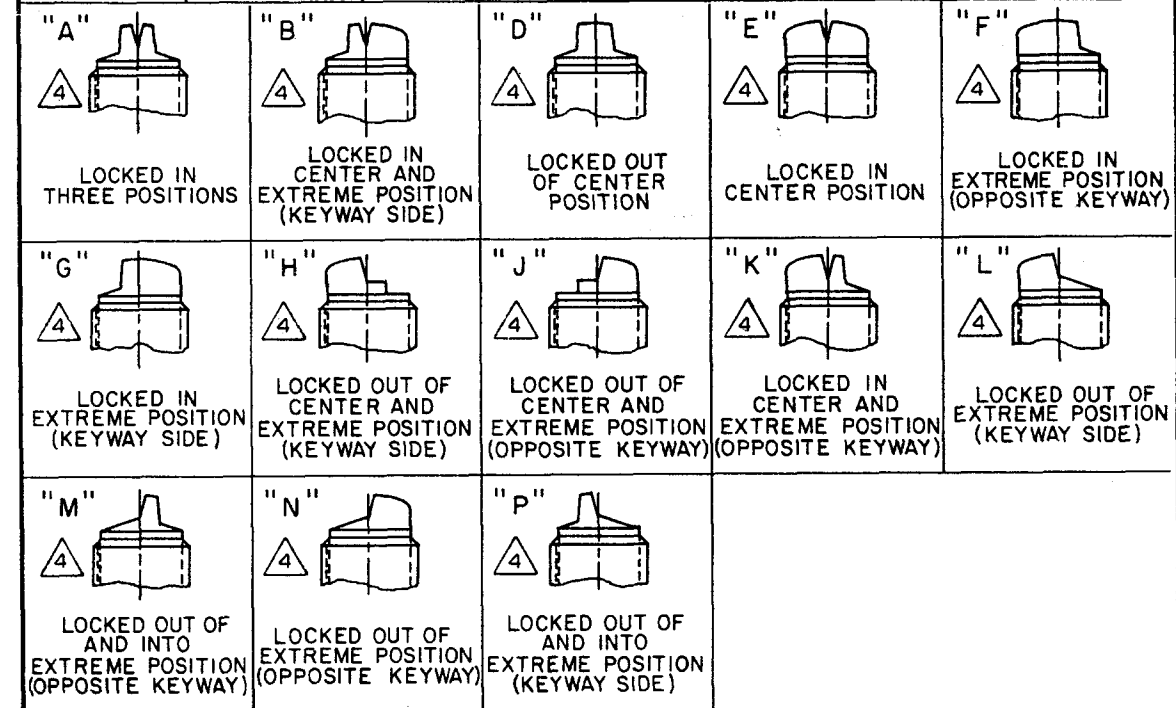
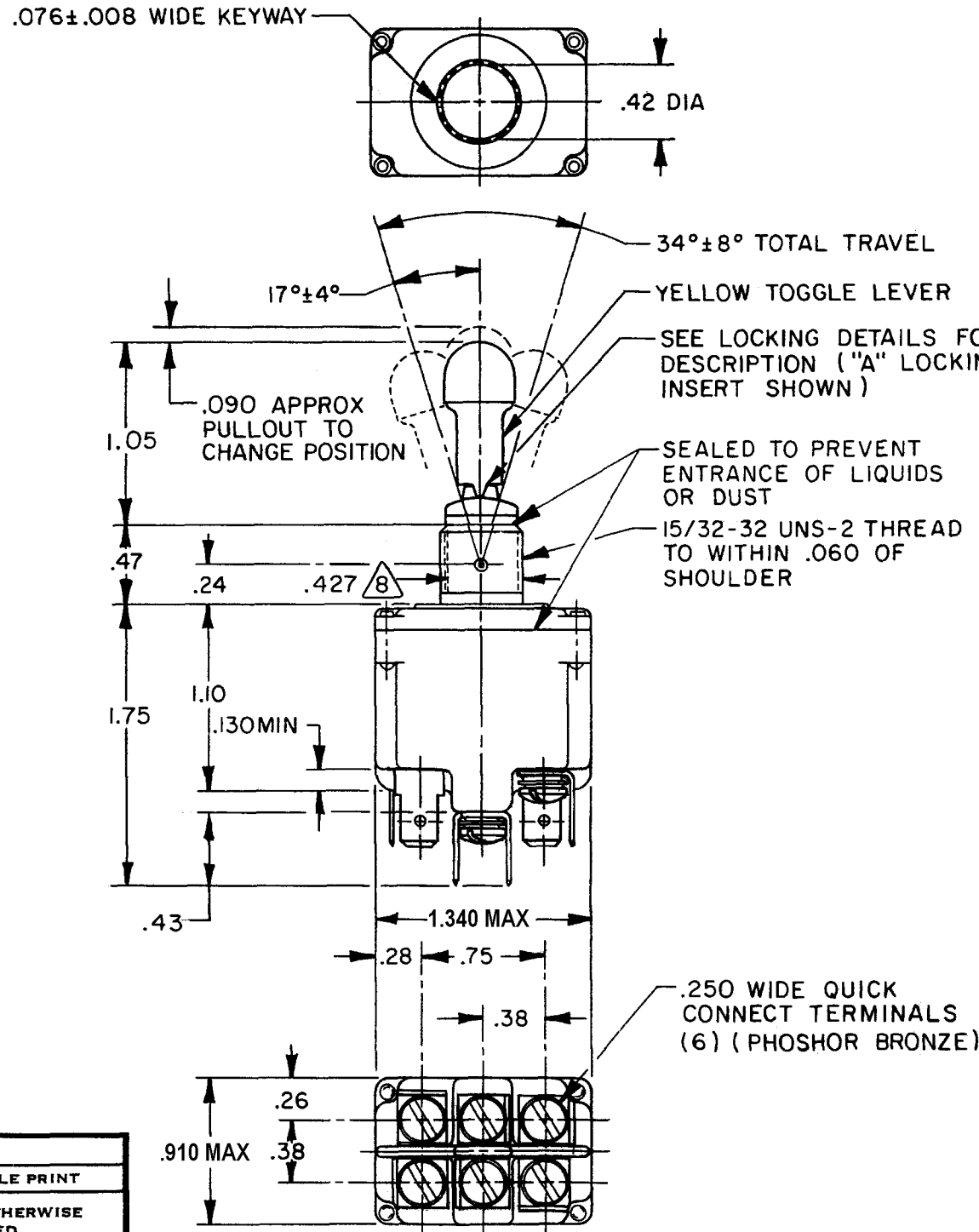
**MICRO SWITCH**  
 FREEPORT, ILLINOIS, U.S.A.  
 A DIVISION OF HONEYWELL  
 FED. MFG. CODE 91929

**SWITCH-TOGGLE**

CATALOG LISTING  
**2TL901 SERIES**  
**CHART 2**

THIS DRAWING COVERS A PROPRIETARY ITEM AND IS THE PROPERTY OF MICRO SWITCH, A DIVISION OF HONEYWELL. THIS DRAWING IS NOT TO BE COPIED OR USED WITHOUT THE APPROVAL OF MICRO SWITCH.

CATALOG LISTING	AVAILABLE LOCKING COMBINATIONS FOR CONFIGURATION SEE LETTERING DETAILS	CIRCUIT MADE WITH TOGGLE LEVER IN			CURRENT CAPACITY (AMPS)								
		KEYWAY SIDE (1-2,4-5)	CENTER (1-2,4-5)	OPPOSITE KEYWAY (2-3,5-6)	RESISTIVE LOAD		LAMP LOAD		IND. LOAD				
		DC VOLTS	AC VOLTS	DC VOLTS	AC VOLTS	DC VOLTS	AC VOLTS	DC VOLTS	AC VOLTS				
2TL901-1	AB,D,E,F,G,H,J,K,L,M,NP	ON	OFF	ON	20	.75	.5	15	6	7	4	15	15
2TL901-2	D, F, G	OFF	NONE	ON	(REF TO L191 FOR UL RATING)								
2TL901-3	D, F, G	ON	NONE	ON	(REF TO L191 FOR UL RATING)								
2TL901-2I	E, F, K, M	NONE	OFF	ON	(REF TO L191 FOR UL RATING)								
2TL901-3I	E, F, K, M	NONE	ON	ON	(REF TO L191 FOR UL RATING)								
2TL901-4	F	MOM OFF	NONE	ON	(REF TO L192 FOR UL RATING)								
2TL901-5	E, F, K, L, M, N	MOM ON	OFF	ON	(REF TO L192 FOR UL RATING)								
2TL901-6	F	MOM ON	NONE	OFF	(REF TO L192 FOR UL RATING)								
2TL901-7	E, L, N	MOM ON	OFF	MOM ON	(REF TO L192 FOR UL RATING)								
2TL901-8	F	MOM ON	NONE	ON	(REF TO L192 FOR UL RATING)								
2TL901-5I	E	NONE	ON	MOM ON	(REF TO L192 FOR UL RATING)								
2TL901-6I	E	MOM ON	OFF	NONE	(REF TO L192 FOR UL RATING)								



**NOTES**

- SWITCHES ARE CAPABLE OF WITHSTANDING A TEMPERATURE OF 160°F CONTINUOUSLY AT FULL RATED LOAD
- CIRCUIT DESIGNATION AND MICRO SWITCH CATALOG LISTING MARKED ON SIDE OF SWITCH
- FURNISHED UNASSEMBLED
- KEYWAY SHOWN ON LEFT SIDE
- SUFFIX LETTER MUST BE ADDED FOR DESIRED TYPE OF TOGGLE LOCKING. SEE CHART FOR AVAILABLE LOCKING COMBINATIONS
- APPLIES ONLY TO "ON" AND "MOMENTARY ON" POSITIONS
- THESE SWITCHES ARE SIMILAR TO SWITCHES QUALIFIED UNDER MIL-S-3950
- FROM BOTTOM OF KEYWAY TO MAJOR DIA. OF 15/32 THREAD

CATALOG LISTING  
**2TL901 SERIES CHART 2**  
 PAGE 1 OF 1  
 ISSUE **M**  
 05 FEB 04  
 MDM  
 CHECK  
 13 APR 84  
 KAG  
 CHECK  
 13 APR 84  
 KAG  
 CHECK  
 05 FEB 04  
 WJM  
 5 APR 84  
 DRAWN  
 FO-52851-A  
 FORMTEK

SCALE FULL  
 DO NOT SCALE PRINT  
 UNLESS OTHERWISE NOTED  
 DIMENSIONS ARE IN INCHES  
**TOLERANCES ARE:**  
 ONE PLACE (.0) ±.030  
 TWO PLACE (.00) ±.015  
 THREE PLACE (.000) ±.005  
 ANGLES ±.005  
 WEIGHT .15 LB APPROX

15A-125, 250 OR 277 VAC  
 1/2HP-125VAC; 1HP-250, 277VAC  
 5A-125VAC "L" CODE L191

10A-125, 250, 277 VAC  
 1/4HP-125VAC; 1/2HP-250, 277 VAC  
 3A-125VAC "L" CODE 192