

7810 Video Receiver Module



The broadband 7810 video receiver module is a versatile, state-of-the-art solution for a variety of network applications.

Features

- Wide 40 MHz—1000 MHz bandwidth supports as many as 110 CATV analog channels or a combination of analog/digital channels (e.g., 80/30), including HDTV broadcast
- Excellent frequency and distortion characteristics for high linearity
- Low noise (4.5 pA/ $\sqrt{\text{Hz}}$, typ.), low power dissipation (1.35 W max.), as well as high RF output
- Internal impedance-match circuitry (75 Ω)
- Robust, small package with single-mode fiber pigtail and connector options
- Wide operating temperature range, $-40\text{ }^{\circ}\text{C}$ to $+85\text{ }^{\circ}\text{C}$

Applications

- Video signal distribution in HFC and FTTH nodes
- Video overlay in passive optical networks (PON)

Description

The 7810 video receiver is a single-mode fiber pig-tailed module featuring a low-noise, impedance-matched broadband photodiode and RF amplification.

The device receives optical analog and/or digital signals for a range of video broadcast options, and delivers the corresponding RF electrical output. The wide bandwidth supports the delivery of up to 110 CATV analog signals or combination of analog and digital channels (80/30, for example), including HDTV broadcast.

The 7810 exhibits excellent distortion performance with values well above standards over the entire bandwidth and temperature specifications (40 MHz—1000 MHz, $-40\text{ }^{\circ}\text{C}$ to $+85\text{ }^{\circ}\text{C}$).

Moreover, the advanced impedance-match circuitry between the photodetector and RF amplification stages resolves a number of OEM design obstacles with very low typical noise performance value, not exceeding 4.5 pA/ $\sqrt{\text{Hz}}$.

The 7810 video receiver can be used in both 1310 nm and 1550 applications, being useful at different points of a given network.

Absolute Maximum Ratings

Stresses in excess of the absolute maximum ratings can cause permanent damage to the device. These are absolute stress ratings only. Functional operation of the device is not implied at these or any other conditions in excess of those given in the operational sections of the data sheet. Exposure to absolute maximum ratings for extended periods can adversely affect device reliability.

Parameter	Symbol	Min	Max	Unit
Operating Temperature Range	TOP	-40	85	°C
Storage Temperature Range	Tstg	-40	85	°C
Humidity at 85 °C	RH	—	95	%
Shock (1 ms duration; half sine wave: X, Y, Z axis)	—	—	100	g
Vibration (Single Sine): 5 MHz—100 MHz, 0.10 Oct/Min. 100 MHz—500 MHz, 0.25 Oct/Min.	—	—	0.5 3.0	g g

Note: For all tables, typical values are performed at 25 °C; min and max values are performance vs. temperature.

Characteristics

Table 1. Electrical/Optical Characteristics

Parameter	Symbol	Min	Typ	Max	Unit
Optical Power	P _{IN}	-10*	2	4*	dBm
Power Supply Bias, Pin 1	V _{CC}	—	15	—	V
Bias, Pin 2	V _{CC}	—	12	—	V
Wavelength	λ	1200	1310/1550	1600	nm
Responsivity	—	—	>0.85 at 1310 nm, >0.95 at 1550 nm	—	mA/mW mA/mW
Dissipation	P _{DISS}	—	1.25	1.35	W

* Depends on channel loading. Refer to the *7810 Video Receiver Module Application Note (TN01-002OPTO)*.

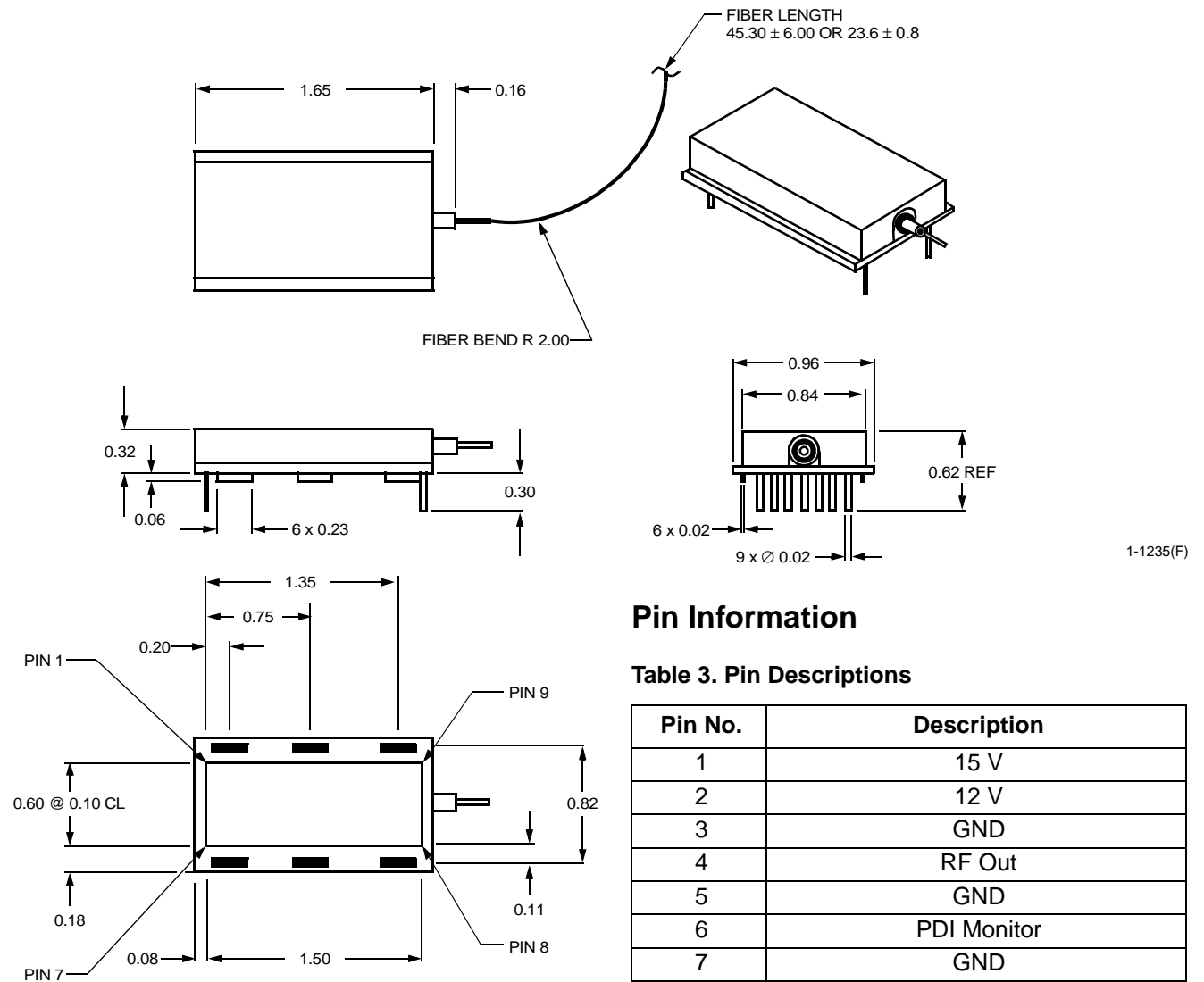
Table 2. RF Characteristics

Parameter	Symbol	Min	Typ	Max	Unit
Frequency Response	F	40	—	1000	MHz
Gain	G	16	17	18	dB
Ripple: 40 MHz—859 MHz 860 MHz—1 Ghz	—	—	±0.5 ±0.75	±0.6 ±0.85	dB dB
Output Return Loss	RL	-13	-11	-10	dB
Noise	—	4.0	4.5	5.0	pA/√Hz
Distortion (absolute value): ¹ Composite Second-Order: 40 MHz—749 MHz 750 mHz—1 GHz Composite Triple Beat	CSO CTB	67 65 82	70 67 85	— — —	dBc dBc dBc

1. Two laser test at 1310 nm/1550 nm. Each laser has 40% modulation index. Total received optical power is 2 dBm. Distortion products measured at 80 MHz, 450 MHz, 600 MHz, 745 MHz, and 850 MHz.

Outline Diagram

Dimensions are in inches and (millimeters).



Pin Information

Table 3. Pin Descriptions

Pin No.	Description
1	15 V
2	12 V
3	GND
4	RF Out
5	GND
6	PDI Monitor
7	GND
8	GND
9	GND

Ordering Information

Table 4. Ordering Information*

Device Code	Description	Comcode
7810N060	7810A no connector, 0.60 m fiber	108952698
7810N115	7810A no connector, 1.15 m fiber	108952706
7810S060	7810A SC/APC connector, 0.60 m fiber	108952714
7810S115	7810A SC/APC connector, 1.15 m fiber	108952730
7810F060	7810A FC/APC connector, 0.60 m fiber	108952664
7810F115	7810A FC/APC connector, 1.15 m fiber	108952680

* Other options available. For additional ordering information, please contact an Agere Systems account manager at OPTO West, 1-800-362-3891 (for sales staff, please press option 2).

For additional information, contact your Agere Systems Account Manager or the following:

INTERNET: <http://www.agere.com>

E-MAIL: docmaster@micro.lucent.com

N. AMERICA: Agere Systems Inc., 555 Union Boulevard, Room 30L-15P-BA, Allentown, PA 18109-3286

1-800-372-2447, FAX 610-712-4106 (In CANADA: **1-800-553-2448**, FAX 610-712-4106)

ASIA PACIFIC: Agere Systems Singapore Pte. Ltd., 77 Science Park Drive, #03-18 Cintech III, Singapore 118256

Tel. (65) 778 8833, FAX (65) 777 7495

CHINA: Agere Systems (Shanghai) Co., Ltd., 33/F Jin Mao Tower, 88 Century Boulevard Pudong, Shanghai 200121 PRC

Tel. (86) 21 50471212, FAX (86) 21 50472266

JAPAN: Agere Systems Japan Ltd., 7-18, Higashi-Gotanda 2-chome, Shinagawa-ku, Tokyo 141, Japan

Tel. (81) 3 5421 1600, FAX (81) 3 5421 1700

EUROPE: Data Requests: DATALINE: **Tel. (44) 7000 582 368**, FAX (44) 1189 328 148

Technical Inquiries: OPTOELECTRONICS MARKETING: **(44) 1344 865 900** (Ascot UK)

Agere Systems Inc. reserves the right to make changes to the product(s) or information contained herein without notice. No liability is assumed as a result of their use or application. No rights under any patent accompany the sale of any such product(s) or information.