

IEC Appliance Inlet C18, Snap-in Mounting, Solder, Quick-connect, Screw- or PCB Terminal



C18



70 °C

**Description**

- Panel Mount:
 - Snap-in version, Frontside
- Appliance Inlet, Pin temperature 70 °C, Protection class II
- Solder, quick-connect, screw, PCB

Approvals

- VDE Certificate Number: 40011871
- CSA File Number: 27324

References

We recommend for new applications the type [6102-5](#)

Weblinks

[pdf](#), [html](#), [General Product Information](#), [Approvals](#), [RoHS](#), [CHINA-RoHS](#), [Mating Connectors](#), [e-Shop](#), [SCHURTER-Stock-Check](#), [Distributor-Stock-Check](#), [Accessories](#)

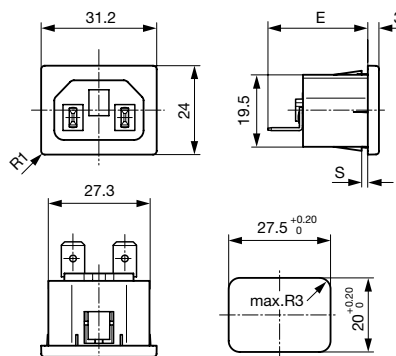
Technical Data

Ratings IEC	10A / 250VAC; 50Hz
Ratings UL/CSA	15A / 250VAC; 60Hz
Dielectric Strength	> 3kVAC between L-N > 1.5kVAC between L/N-PE (1 min/50Hz)
Allowable Operation Temp.	-25 °C to 70 °C
Degree of Protection	from front side IP 20 acc. to IEC 60529
Protection Class	Suitable for appliances with protection class 2 acc. to IEC 61140
Terminal	Solder, quick-connect, screw, PCB
Panel Thickness s	Snap-in version 1/1.2/1.5/2.0/2.5/2.7/3.0/4.0 mm
Material: Housing	PA6, black / grey / white, UL 94V-0

Appliance Inlet	C18 acc. to IEC/EN 60320-1 UL 498, CSA C22.2 no. 42 (for cold conditions) pin-temperature 70 °C, 10A, Protection Class 2
-----------------	-----------------------------------------------------------------------------------------------------------------------------

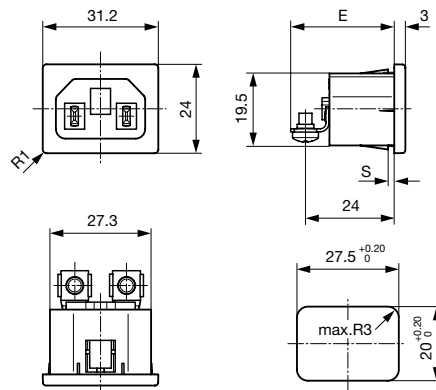
Dimensions

Quick connect or solder terminals



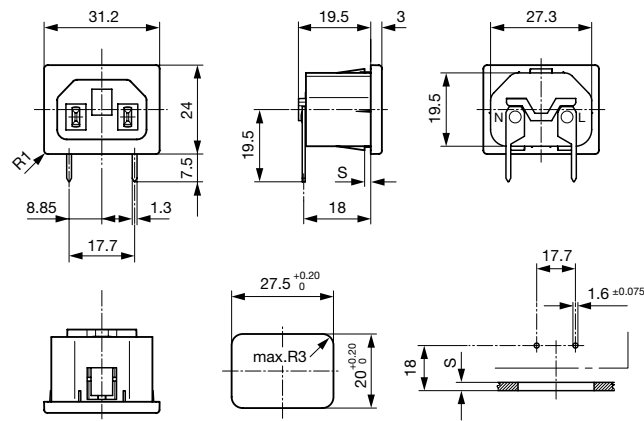
- E: Quick-connect terminals 4.8x0.8 mm: 27.0 mm
- E: Quick-connect terminals 6.3x0.8 mm: 28.0 mm
- E: Solder terminals short: 22.5 mm
- E: Solder terminals long: 26.2 mm

Screw terminals



E: Screw terminals M3.5, 28.0 mm

PCB terminals



Config. Code

6015 - H - A B C 0 - D - E G

The characters are placeholders for the correspondingly keys of selections from the key tables.

6015 - H - A B C 0 - D - E G = Type

Type	Configuration key
protection class 2	B

6015 - H - A B C 0 - D - E G = Terminals

Terminal L	Configuration key
short solder terminal (L = 4.8 mm)	2
long solder terminal (L = 8.5 mm)	3
PCB-terminal (standard)	4
Blade terminal (2.8 x 0.8 mm)	7
Blade terminal (4.8 x 0.8 mm)	8
Blade terminal (6.3 x 0.8 mm)	9
screw terminal	A



6015 - H - A B C 0 - D - E G = Terminals

Terminal N	Configuration key
short solder terminal (L = 4.8 mm)	2
long solder terminal (L = 8.5 mm)	3
PCB-terminal (standard)	4
Blade terminal (2.8 x 0.8 mm)	7
Blade terminal (4.8 x 0.8 mm)	8
Blade terminal (6.3 x 0.8 mm)	9
screw terminal	A

Symbols similar as in table A

6015 - H - A B C 0 - D - E G = Terminals

Terminal Ground	Configuration key
without terminal	0

Symbols similar as in table A

6015 - H - A B C 0 - D - E G = Color

Color	Configuration key
jet black: RAL9005	A
silver grey: RAL7001	B
pure white: RAL9010	D

6015 - H - A B C 0 - D - E G = Style

Style	Configuration key
snap-in (x=panel thickness)	4

6015 - H - A B C 0 - D - E G = Dimension X

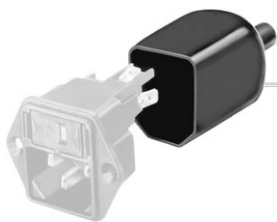
Dimension "X"	Configuration key
10	
15	
20	
25	
30	
40	

The dimension "X" is displayed in ($\frac{1}{10}$ mm). This information is also valid for the order code

Packaging unit 50 Pcs

Accessories

Description

Assorted Covers
Rear Cover

Mating Outlets/Connectors

Category / Description

[Connector Overview complete](#)



IEC Connector C15, Rewireable, Straight	0101
IEC Connector C15A, Rewireable, Straight	0102
IEC Connector C15A, Rewireable, Straight	0102-G
IEC Connector C15A, Rewireable, Angled	0112
IEC Connector C13, Rewireable, Angled	4012

[Connector further types to 6015](#)

...

[Power Cord Overview complete](#)



Power Cord with IEC Connector C17, Angled	0301
Power Cord with IEC Connector C13, Angled	0311
Power Cord with IEC Connector C13, Angled	3011
Power Cord with IEC Connector C13, Angled	3012
Power Cord with IEC Connector C13, Angled	3013

[Power Cord further types to 6015](#)

...

[Power Supply or Interconnection Cord Overview complete](#)



Divers Power Supply and Interconnection Cords 10 A	Kabelverbindung/10 A
----------------------------------------------------	----------------------

[Power Supply or Interconnection Cord further types to 6015](#)