

**SPECIFICATIONS**

**Mechanical**

*Life Cycle :50000 cycles*

*Operating Force :100g max When The Actuator Is Pushed  
At The Full Travel*

**Electrical**

*Voltage Rating: 12VDC*

*Current Rating: 100mA*

*Contact Resistance: 100mΩ max (Initial)  
200mΩ max (After Life Test)*

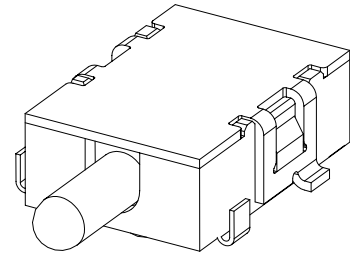
*Dielectric Withstanding Voltage : 100VAC For A Minute*

*Insulation Resistance: 100MΩ min At 100VDC For A Minute*

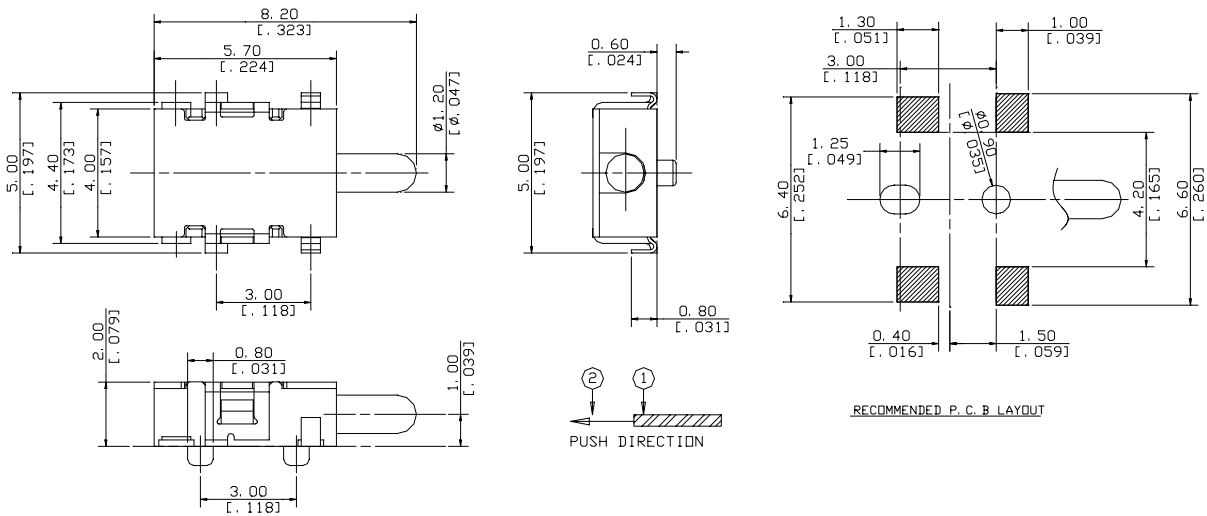
**DETECTOR SWITCH**

**1BD006 Series**

**SMT Type**



**DRAWING**



**ORDERING INFORMATION**

**PRODUCT NO.: 1BD006-11\*1\*-00\***

Switch Category	_____	Package	_____
D=Detector Switch		000=T/R	
Product Series	_____	003=BULK	
006=The Sixth Type		Plating	_____
Pole Numbers	_____	0=Standard	
1=1		1=Gold	
2=2		L=Leadfree	
Throw Numbers	_____	Terminal	_____
1=1		1= SMT	
2=2		3=T/H,R/A	
		Switch Action	_____
		1=Normal Close	
		2=Normal Open	