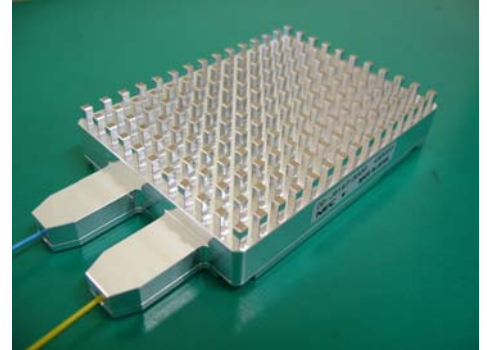


**SR-2:OD-J9191/J9193/J9195-\*\*\*\***  
**IR-2:OD-J9192/J9194/J9196-\*\*\*\***  
**SR-1:OD-J9198/J9199/J9200-\*\*\*\***  
**IR-1:OD-J9316-\*\*\*\***

## 10-Gbps Optical Transceiver with 16-channels MUX/DEMUX

### Features

- 300-pin MSA(*Multi Source Agreement*) compliant.
- Designed for SONET / SDH / ATM Systems.
- Telcordia GR-253-CORE OC-192 SR-1/SR-2/IR-1/IR-2 ITU-T G.691 I-64.1/I-64.2/S-64.1/S-64.2b, VSR2000-2R1 compliant.
- Cooled DFB or EA DFB transmitter and pin-PD receiver.
- 16:1-MUX / 1:16-DEMUX Integrated.
- 622.08/644.53/669.32-Mbps LVDS Input/Output interface.
- Compact Size : 75 x 55 x 16 (mm).
- Power Supply Voltage : +1.8V, 3.3V, -5.2V.
- Power Consumption : 4.5W (Typ.) , 7.0W(Max)
- Operating Case Temperature Range : -5 to 70°C.



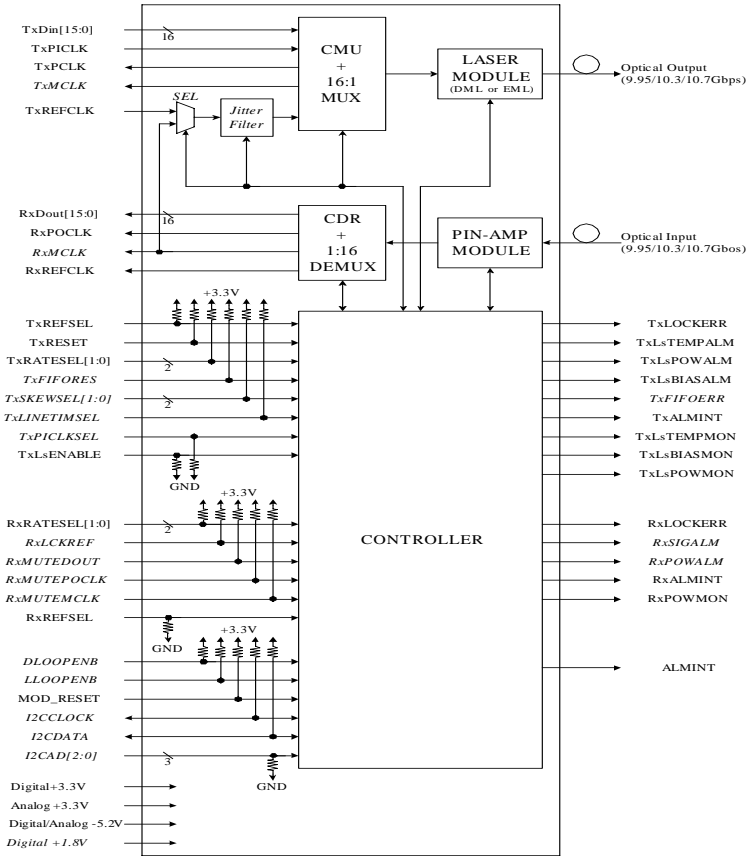
### Performance

Parameter		Performance
Transmission Data Rate		9.95328/10.3125/10.709-Gbps
Pigtail Fiber		Pigtail Fiber : SMF, Pigtail Length : 1 m each Optical Connector : SC (Grp. 0A01)
Transmitter Output Optical Interface	Launched Power	SR-1:-6 to -1 dBm , SR-2:-5 to -1dBm IR-1: +1 to +5dBm , IR-2:-1 to +2dBm
	Wavelength	SR-1/IR-1:1290-1330nm SR-2/IR-2:1530-1565nm
	Extinction Ratio	SR-1/IR-1:6.0dB min SR-2/IR-2:8.2dB min
Receiver Input Optical Interface	Minimum Sensitivity	SR-1/IR-1:-11dBm max SR-2/IR-2:-14dBm max
	Overload	-1dBm min
	Optical Return Loss	SR-1/IR-1:-14dB SR-2/IR-2:-27dB
Data I/O Signals		622.08/644.53/669.32-Mbps x 16-channels
Alarm Function		Tx : Optical output alarm, LD bias alarm Rx : Loss of signal alarm
Monitor Function		Tx : Optical output power monitor,LD bias monitor Rx : Optical input power monitor

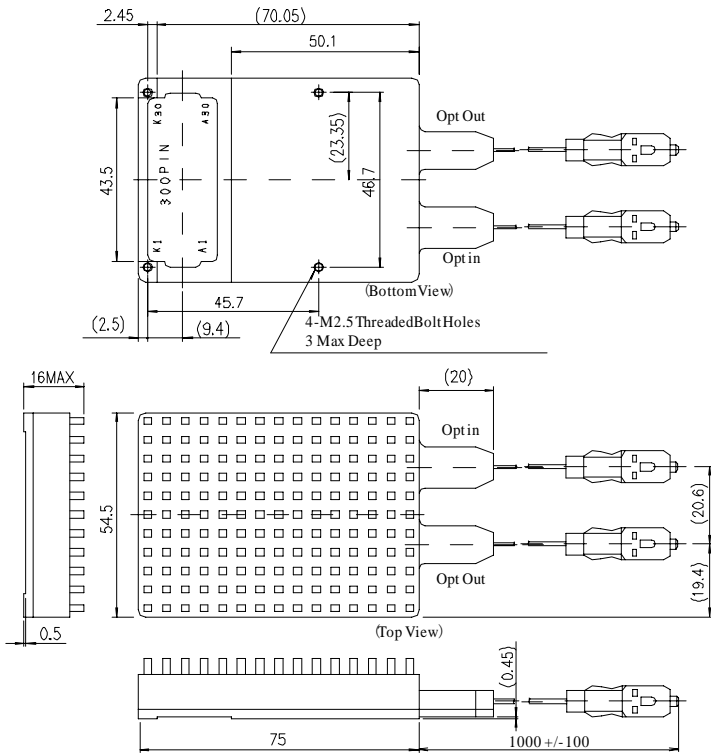
### Line up

	OC-192 Single-rate	Dual-rate with Jitter Filter	OC-192/10GbE/FEC Multi-rate
SR-1/VSR(Cooled DFB)	J9198/J9199	J9198	J9200
IR-1(Cooled DFB)	-	-	J9316
SR-2(EA DFB)	J9195	J9191	J9193
IR-2(EA DFB)	J9196	J9192	J9194

## Block Diagram

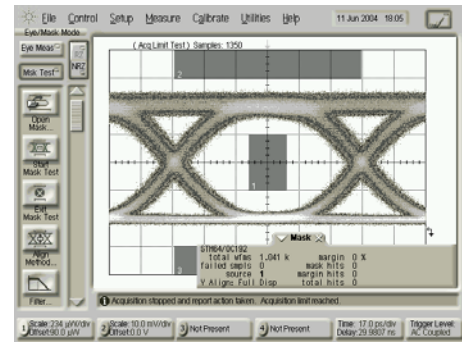


## Dimension

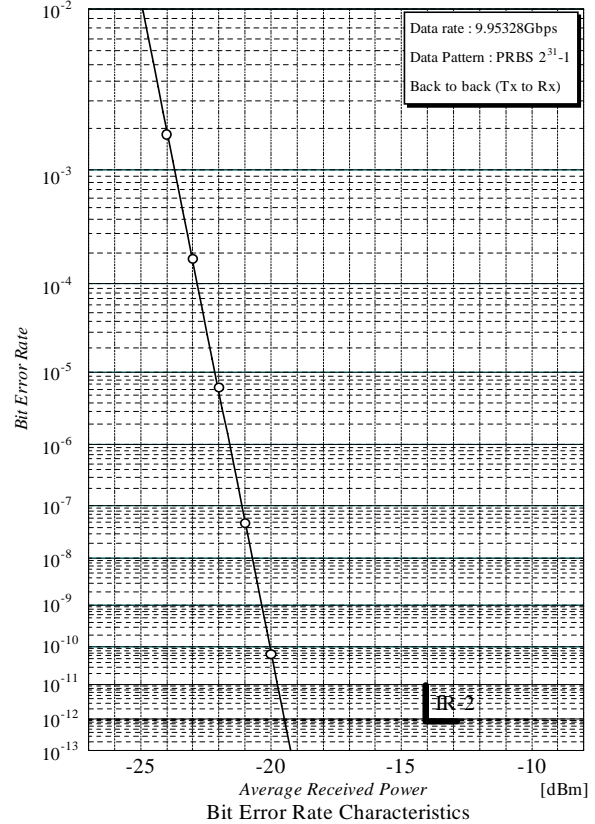


## Performance

### J9196 Output waveform (Tc=25deg.C , Filtered)



### J9196 Sensitivity (Back to back)



## Order form

OD-J9\*\*\*-0xy1

\*\*\* : 191/192/193/194/195/196/198/199/200/316

x : Connector type

A:SC,B:FC,C:MU,D:LC

y : Package type

0:16mm height with Heatsink

1:13.5mm height with Heatsink

2:12mm height without Heatsink

DATA SUBJECT TO CHANGE WITHOUT NOTICE

**NEC Corporation**  
Sales and Marketing Department, Fiber Optic Devices Division  
(Shin Tamachi Building) 34-6, Shiba 5-chome, Minato-ku, Tokyo  
108-0014, Japan  
Tel: +81-3-3798-5864 Fax: +81-3-3798-5857

<http://www.sw.nec.co.jp/on/dd/en/>

EWV-19-0107-P5E June 2009

Copyright © 2009 NEC Corporation

**NEC Electronics (Europe) GmbH**  
Sales and marketing of semiconductor products across Europe  
Arcadiastrasse 10, D-40472 Düsseldorf, Germany  
Tel: +49-211-6503-0 Fax: +49-211-6503-1344

NEC Corporation of America ( USA & CANADA )  
FiberOptech Division  
Mail Stop# NC1000  
2880 Scott Blvd, Santa Clara, CA 95050, U.S.A.  
Tel:+1-408-844-1082 Fax: +1-408-844-1090